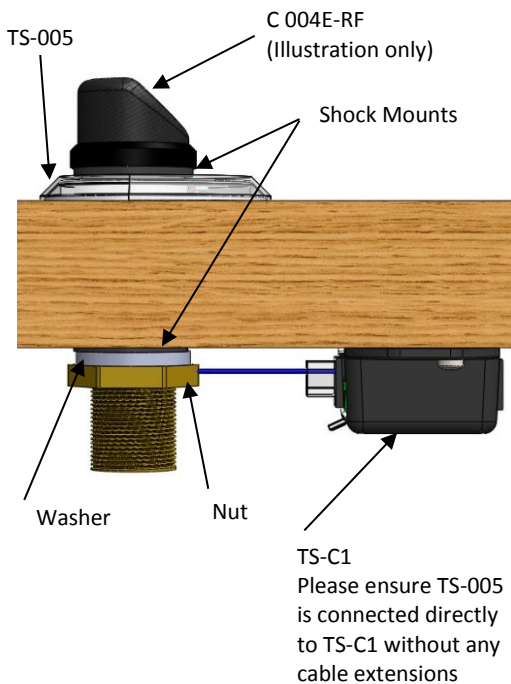


The TS 005 capacitive touch switch is specially designed for use with Clockaudio's through table microphones. With no moving parts, low-profile mounting and encapsulated electronics, TS 005 provides multiple colours, clear and precise visual operational status as well as protection from office contaminants affecting its operation. Comes with modular under desk mount TS-C1 controller for easy install.



- Self-calibrating, low profile mount capacitive touch switch facilitating click / pop free switching of a microphone from DSP.
- RGB LED provides multi-colour combination for clear precise visual status of microphone.
- Suitable for fitting Clockaudio's C 003E-RF, C 004E-RF, C 011E-RF, C 012E-RF microphones, SM 10 and SM 20-RF stands.
- No moving parts and employing surface mount technology, ensures extreme reliability, longevity and trouble free use.
- Electronic circuitry fully encapsulated to protect operation from spills or other contaminants.
- Terminated with RJ 45 connector and supplied with a touch switch controller (TS-C1) allows connection via CAT 5E patch cable back to CDT-100 or directly to DSP.
- Programmable via DSP to operate in PTT, PTM or latching modes.
- 12V DC operation using regulated power supply or CDT-100
- Fitted with 200mm cable that connects to TS-C1's TS-IN
- RS-IN on TS-C1 provides connectivity to an external switch.
- Maximum current consumption 140mA.
- Backward compatible with CH32, providing Red/Green output.
- Finished in clear polycarbonate.
- Order codes: TS 005 (black) and TS 005W (white)



Fig A



Fig B



Fig C

Installation guide

- 1) Drill a 24mm (61/64") hole through the table (Fig A).
- 2) Using cut out template supplied drill a 3mm (0.12") hole at least 6mm (0.24") deep into the table (Fig B).
- 3) Place TS 005 into position. Remove nut and lower shock mount from microphone and fit into TS 005 ensuring microphone front is aligned to the TS 005's touch pad (Fig C).
- 4) Fit the shock mount onto the microphone barrel and fit the plastic washer (Fig D).
- 5) Push fit shock mount into the table ensuring ribbon cable is not twisted and hand tighten the nut (Fig E).
- 6) Connect ribbon cable from TS 005 to TS-IN and mount TS-C1 nearby (Fig F). Note: microphone screen and TS-C1 ground must have a common ground connection.
- 7) TS-C1's TS-OUT wiring for connection to DSP:

Pin number	Function
1	Switch (Low indicating contacts closed on RS-IN), optional
2	Red LED (pulled low to illuminate)
3	Ground
4	+12V DC
5	Touch Switch Activated
6	Green LED (pulled low to illuminate)
7	Blue LED (pulled low to illuminate)
8	No connection

- 8) Ensure all connections are made prior to applying power.



Fig D



Fig E



Fig F