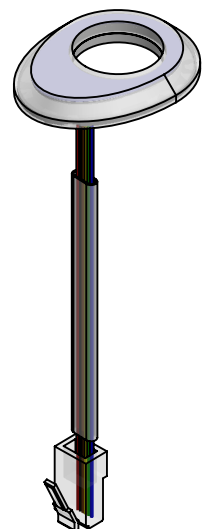
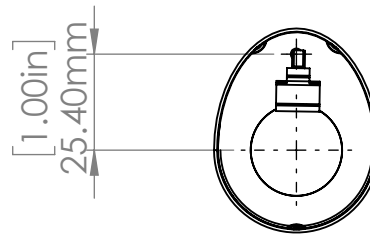
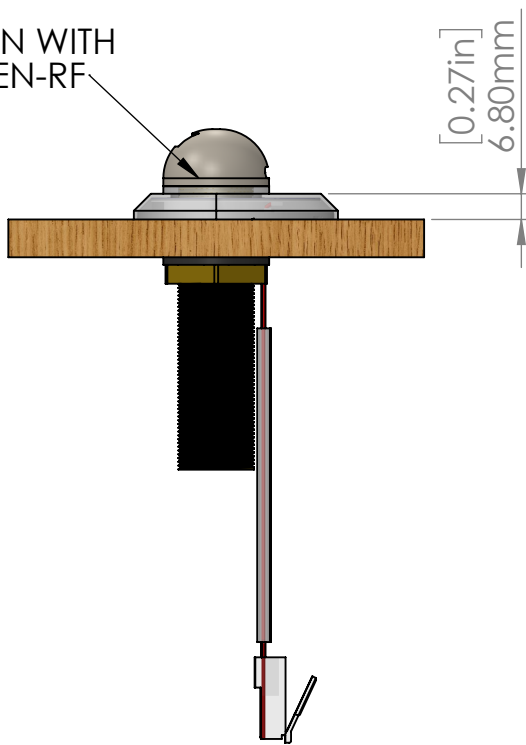


SHOWN WITH  
C 012EN-RF



**PROPRIETARY AND CONFIDENTIAL**  
THE INFORMATION CONTAINED IN THIS DRAWING IS THE SOLE PROPERTY OF CLOCKAUDIO LTD. ANY REPRODUCTION IN PART OR AS A WHOLE WITHOUT THE WRITTEN PERMISSION OF CLOCKAUDIO LTD IS PROHIBITED.

CLIENT APPROVAL

NAME	
COMPANY	
DATE	
SIGNATURE	
COMMENTS:	

	NAME	DATE
DRAWN	C.BUDGEN	13/06/18
MATERIAL	POLYCARBONATE COVER	
FINISH	TRANSLUCENT	
NOTES:		
DO NOT SCALE DRAWING		



TS-005

SIZE	DWG. NO.	REV.
<b>A</b>	1284	1
SCALE:1:2		SHEET 1 OF 1