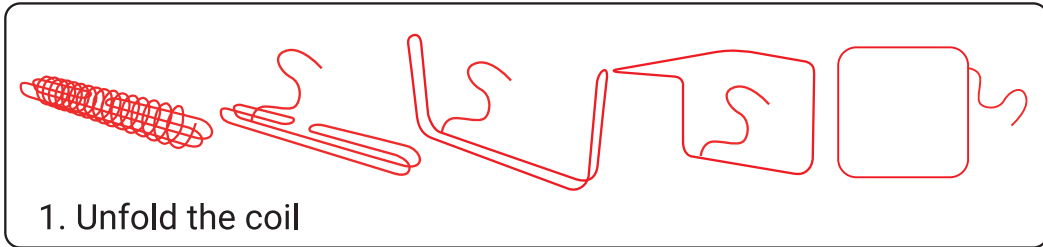


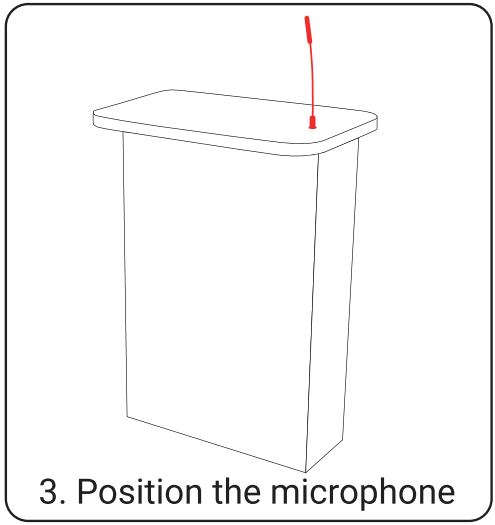
CLD1, CLD1AC Quick start guide



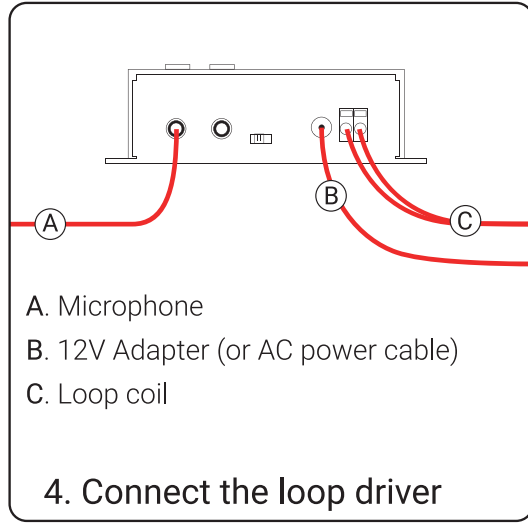
1. Unfold the coil



2. Install the coil and the CLD 1 loop driver

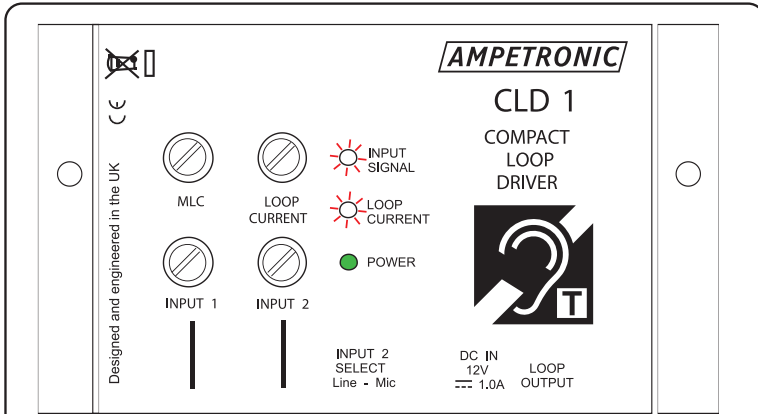


3. Position the microphone



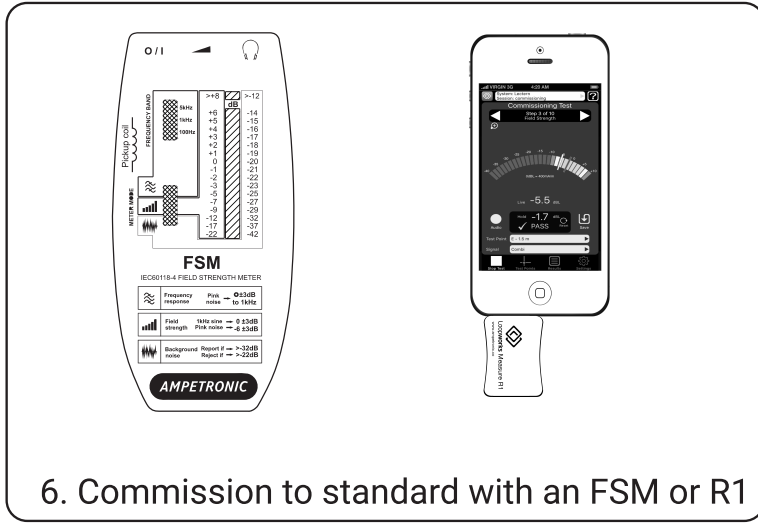
- A. Microphone
- B. 12V Adapter (or AC power cable)
- C. Loop coil

4. Connect the loop driver



- Power LED should be on
- Input signal and loop current indicators should light up when someone talks into the microphone
- If not, adjust Input 1 and Loop Current controls

5. Check for power and loop current



6. Commission to standard with an FSM or R1