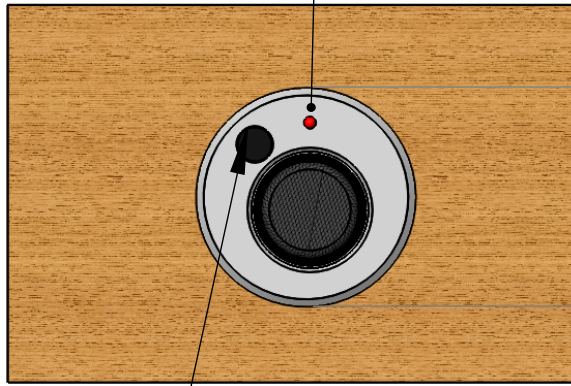
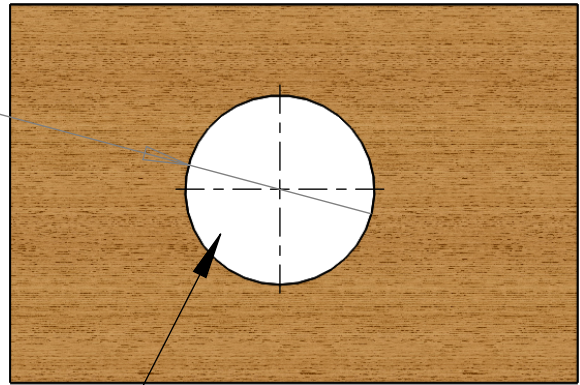


Red or bi-colour LED

Ø50mm
[1.97in]



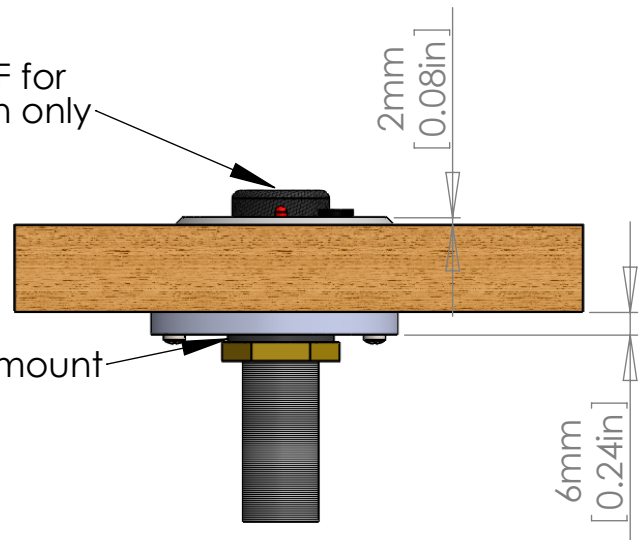
Ø58mm
[2.28in]



For installation Predrill Ø50mm
[1.97in]

PTT or latch
Switch

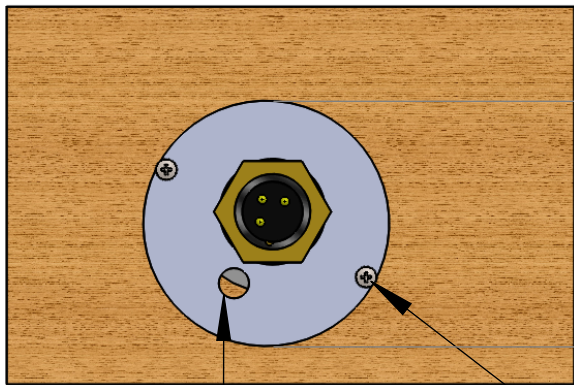
C 003E-RF for
illustration only



2mm
[0.08in]

Shock mount

6mm
[0.24in]



Ø65mm
[2.56in]

Cable exit for
switch and LED

Fixing screw holes

PROPRIETARY AND CONFIDENTIAL

THE INFORMATION CONTAINED IN THIS DRAWING IS THE SOLE PROPERTY OF CLOCKAUDIO LTD. ANY REPRODUCTION IN PART OR AS A WHOLE WITHOUT THE WRITTEN PERMISSION OF CLOCKAUDIO LTD IS PROHIBITED.

CLOCKAUDIO

S 80S

SIZE DWG. NO.

A

671

09/07/09

SCALE:1:10

SHEET 1 OF 1