



RIPPA®

RIPPA GROUP

RO6ECO



Ultra-compact construction machine with excellent accessibility to narrow spaces and stability

ROBEECO



The feature of R06ECO

Features and Functions



1 Front-mounted control lever

The front-mounted operating lever ensures ample space for the feet and around the driver's seat.



2 Operation lock button

Machine operation is only permitted when the operating lock is open, enhancing machine safety and preventing accidental operation.



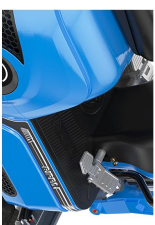
3 Fully operable bonnet

Completely destructible, it is convenient to change the fuel system and the fuel system in daily life.



4 Cast drive wheel

Forged drive wheels with a hemispherical structure distribute stress concentration and have a longer service life.



5 Anti-slip foot

Effectively prevents drivers from slipping and ensures physical stability during operation.



6 Light logo

It serves as a warning, making nighttime work safer.



7 Display instrument

It can display the machine's operating time and parameters such as machine temperature.



8 LED Light

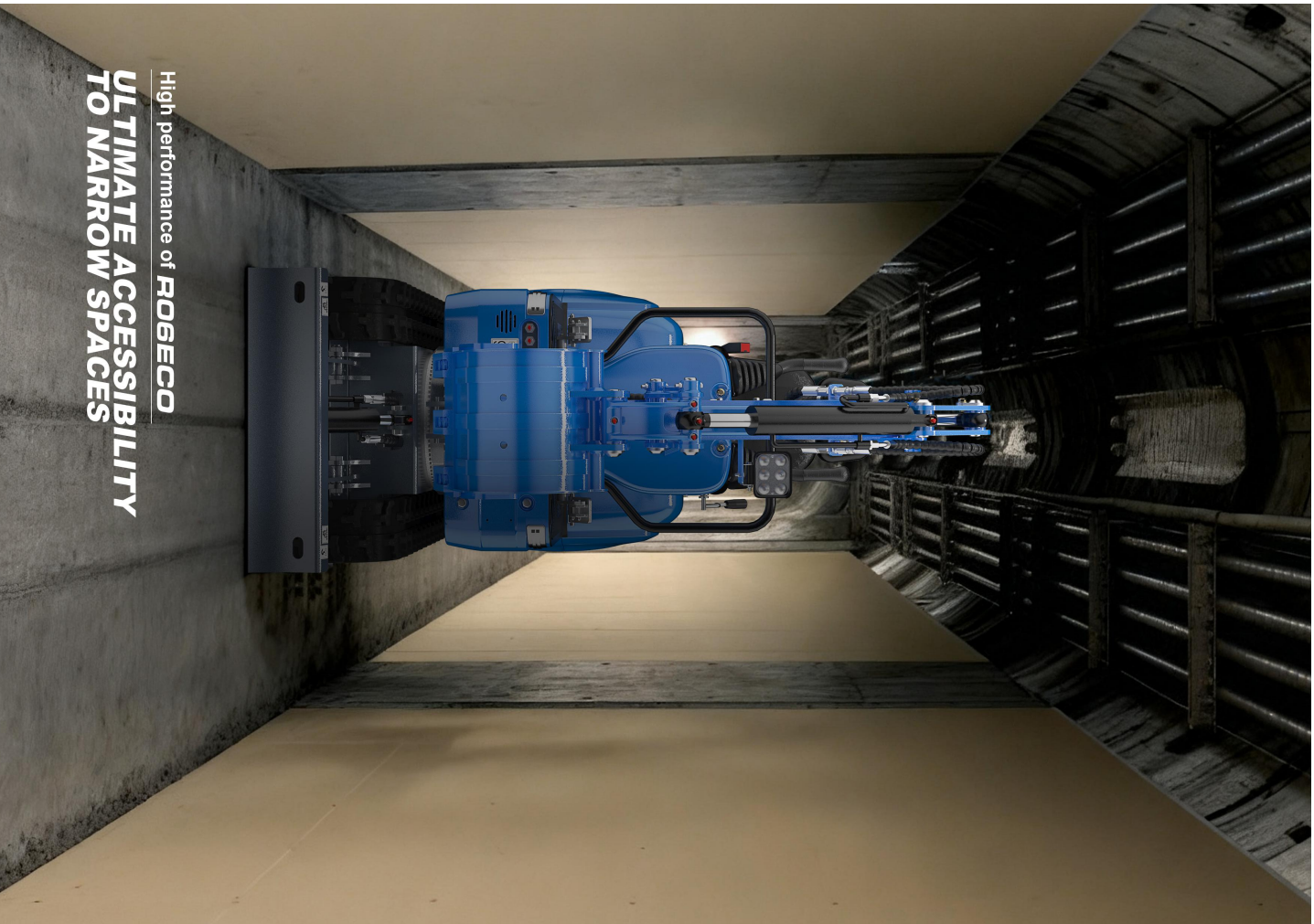
It is low heat generating and vibration resistant, and comes standard with an LED light.



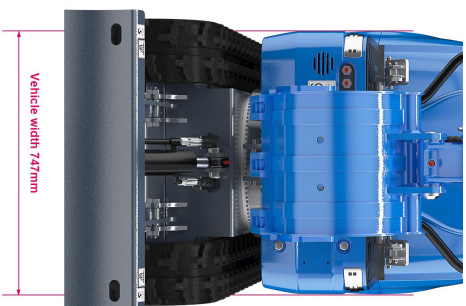
9 Rear boom cylinder

You can work without worrying about damaging the boom cylinder when scooping large stones or concrete pieces with the bucket, loading them into a dump truck, or using an on-board breaker.





High performance of **ROBECO**
ULTIMATE ACCESSIBILITY
TO NARROW SPACES



Vehicle width 747mm

Compact Body

Compact size. With a width of only 747mm, it can operate in confined spaces such as narrow alleys, indoor buildings, and urban corners. Examples include pipeline renovations in old residential areas and interior decoration work in shopping malls—scenarios where large equipment cannot access, allowing it to efficiently complete tasks. The bulldozer blade has been reinforced with ribs for increased strength and lifespan; grease holes have been added to the joint for easier lubrication.

Please extend the crawler when working.



Engineering rubber tracks

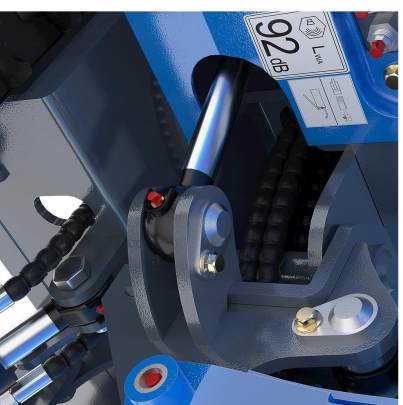
It is ground-friendly, highly protective, provides a smooth ride, low noise, minimal vibration, is lightweight, highly maneuverable, easy to maintain, and has a longer service life under certain operating conditions.



Can be excavated in narrow spaces

By swinging the work machine, it is possible to excavate in narrow spaces and near walls.

Boom swing angle (right): 70°
 Boom swing angle (left): 70°





High performance of **ROBECCO**

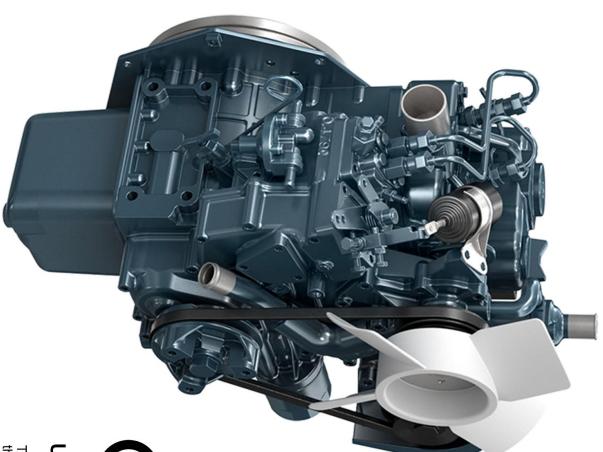
Reliable excavation performance



Wide working range
 Thanks to the compact size (width 1900 mm, 7'2.7''), the offset-mounted digging profile reaches into a wide working range. It makes digging and loading so (extra) easy.

Maximum digging radius
2565MM

Maximum excavator depth
1001MM



Kubota 2 cylinder engine
 Equipped with a high-torque, low-vibration Kubota 2-cylinder engine, it provides powerful digging power.

Engine type: Z482
Rated power/speed: 8.2kw (11hp)/3000rpm

CE **EURO 5** **Tier 4**
Final Stage V

Ultra-low noise design
 The noise level was very low (less than 92 minutes), and the noise level was low during the night and night construction period in the city area.

The Feature of **ROBECO**

Safety and security design



Full-Opening Hood & Hood Grip

The fully-opening hood opens wide to the rear. Routine inspections and part replacements of the engine and fuel system are easy.



Butter tension

It can easily overcome the enormous rigidity of the tracks, providing strong and stable tension to ensure that the tracks will not be too loose under various heavy-duty conditions.



Towing hook

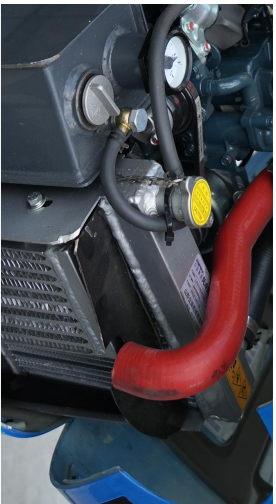
There is a hook on both sides of the bulldozer blade.



Rear-mounted boom cylinder

When scooping large stones or concrete pieces with a bucket, loading them onto a dump truck, or using an on-board breaker, you can work without worrying about damaging the boom cylinder.

※



Water cooling

Higher heat dissipation efficiency and more precise and stable temperature control.



LED Light

A low-heat, vibration-resistant LED light is included as standard.



Comfortable Seats

Equipped with seat belts, the seat is adjustable fore and aft, and has removable headrests.



Storage box

Used for storing instruction manuals and tools

