

QOH

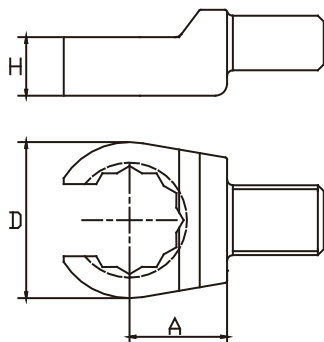
Open Box End

for Rectangular Shank Head Torque Wrench

QOYH (English unit)



NovaTork



Metric

Item No.	Ring Size mm	Openings Size mm	Shark Size mm	A mm	H mm	D mm	Weight g
QOH96	6	4.3	9x12	17.5	12	22	60
QOH97	7	5.3	9x12	17.5	12	22	60
QOH98	8	6	9x12	17.5	12	22	63
QOH99	9	6.5	9x12	17.5	12	22	63
QOH910	10	7.1	9x12	17.5	12	22	63
QOH911	11	8.6	9x12	17.5	12	22	62
QOH912	12	9	9x12	17.5	12	24	61
QOH913	13	10	9x12	17.5	12	25	63
QOH914	14	11	9x12	17.5	12	27	62
QOH915	15	12	9x12	17.5	13	28	69
QOH916	16	13	9x12	17.5	13	30	69
QOH917	17	14	9x12	17.5	13	31.5	68
QOH918	18	14.8	9x12	25*	13	33	77
QOH919	19	15.8	9x12	25*	13	34.5	82
QOH920	20	16	9x12	25*	13	35	92
QOH921	21	16.2	9x12	25*	13	37	92
QOH922	22	17	9x12	25*	13	37	95
QOH923	23	17.8	9x12	25*	13	38	97
QOH924	24	18	9x12	25*	13	39	97
QOH925	25	19	9x12	25*	13	41	100
QOH927	27	21	9x12	30*	13	44	105
QOH930	30	22	9x12	35*	13	48	115
QOH932	32	24	9x12	35*	13	51	120
QOH946	46	31	9x12	50*	13	71	150
QOH950	50	34	9x12	55*	13	77	165
QOH960	60	41	9x12	60*	13	91	180
QOH1413	13	10	14x18	25	13	25	135

Item No.	Ring Size mm	Openings Size mm	Shark Size mm	A mm	H mm	D mm	Weight g
QOH1414	14	11	14x18	25	13	27	140
QOH1415	15	11.5	14x18	25	13	29	145
QOH1416	16	13	14x18	25	13	30	145
QOH1417	17	14	14x18	25	13	31.5	145
QOH1418	18	14.8	14x18	25	15	33	150
QOH1419	19	15.8	14x18	25	15	34.5	150
QOH1420	20	16	14x18	25	15	35.5	155
QOH1421	21	16.2	14x18	25	15	35.5	155
QOH1422	22	17	14x18	25	15	38	155
QOH1423	23	18	14x18	25	15	38.5	155
QOH1424	24	18.5	14x18	25	15	40	155
QOH1425	25	19	14x18	25	15	41	155
QOH1426	26	19.3	14x18	30*	15	42	155
QOH1427	27	20	14x18	30*	15	45	155
QOH1428	28	21	14x18	35*	18	48	155
QOH1429	29	21.5	14x18	35*	18	48	155
QOH1430	30	22	14x18	35*	18	48	155
QOH1431	31	23	14x18	35*	18	51	155
QOH1432	32	24	14x18	35*	18	52	155
QOH1433	33	24.3	14x18	35*	18	52	155
QOH1434	34	25	14x18	40*	19	55	160
QOH1435	35	26	14x18	40*	19	56	162
QOH1436	36	27	14x18	40*	19	58	165
QOH1438	38	28	14x18	45*	19	61	175
QOH1441	41	30	14x18	50*	19	65	180
QOH1444	44	31	14x18	50*	19	71	190

Item No.	Ring Size mm	Openings Size mm	Shark Size mm	A mm	H mm	D mm	Weight g
QOH1446	46	31	14x18	50*	19	71	190
QOH1450	50	34	14x18	55*	19	77	195
QOH1455	55	36	14x18	55*	19	84	200
QOH1460	60	41	14x18	60*	19	91	210
QOH1465	65	46	14x18	65*	19	98	220
QOH1470	70	50	14x18	70*	19	105	230
QOH1475	75	55	14x18	75*	19	113	250
QOH2418	18	14.8	24x32	35	25	42	615
QOH2419	19	15.8	24x32	35	25	42	627
QOH2421	21	16.2	24x32	35	25	60	700
QOH2424	24	18.5	24x32	35	25	60	705
QOH2427	27	20	24x32	35	25	63	710
QOH2430	30	22	24x32	35	25	67	755
QOH2432	32	24	24x32	35	25	69	755
QOH2434	34	25	24x32	40*	25	71	790
QOH2436	36	27	24x32	40*	25	73.5	830
QOH2438	38	28	24x32	45*	25	80	922
QOH2441	41	30	24x32	50*	25	83	980
QOH2446	46	32	24x32	50*	25	92	970
QOH2450	50	34	24x32	55*	25	98	1180
QOH2455	55	39	24x32	55*	25	106	1160
QOH2460	60	43	24x32	60*	25	114	1220
QOH2465	65	46	24x32	65*	25	122	1300
QOH2470	70	50	24x32	70*	25	128	1370
QOH2730	30	22	27x36	50	28	75	1250
QOH2732	32	24	27x36	50	28	75	1250
QOH2736	36	27	27x36	50	28	76	1350

* marks are to special fittings, you should adjust the torque according to torque wrench manual

English

Item No.	Ring Size mm	Openings Size mm	Shark Size mm	A mm	H mm	D mm	Weight g
QOYH910	5/16"	5.9	9x12	17.5	12	22	63
QOYH912	3/8"	6.8	9x12	17.5	12	22	63
QOYH914	7/16"	8.5	9x12	17.5	12	22	62
QOYH916	1/2"	9.8	9x12	17.5	12	25	63
QOYH918	9/16"	11.2	9x12	17.5	13	27	62
QOYH920	5/8"	13	9x12	17.5	13	30	69
QOYH1422	1 1/16"	14.4	14x18	25	15	33	150
QOYH1424	3/4"	15.9	14x18	25	15	34.5	150
QOYH1426	13/16"	15.9	14x18	25	16	35.5	155

Item No.	Ring Size mm	Openings Size mm	Shark Size mm	A mm	H mm	D mm	Weight g
QOYH1428	7/8"	17	14x18	25	16	37	155
QOYH1430	15/16"	18.3	14x18	25	16	40	155
QOYH1432	1"	19.3	14x18	25	16	41	155
QOYH1434	1 1/16"	20	14x18	30*	16	44	155
QOYH1436	1 1/8"	21.2	14x18	35*	16	48	155
QOYH1438	1 3/16"	22.1	14x18	35*	16	48	155
QOYH1440	1 1/4"	23.4	14x18	35*	16	51	155
QOYH1442	1 5/16"	24.5	14x18	35*	16	51	155
QOYH1452	1 5/8"	41.28	14x18	50*	16	65	180

* marks are to special fittings, you should adjust the torque according to torque wrench manual

Note: Due to the product improvement, the technical parameters are subject to variation, please refer to the actual production from the factory.