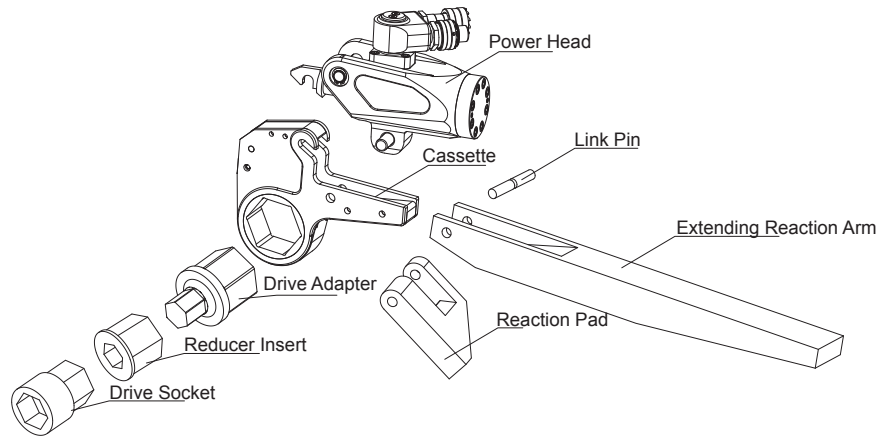


- 700bar max working pressure; keep the accuracy  $\pm 3\%$ .
- 5 models with the range from 232-44593N.m
- 360°\*185 degree swivel & 360°\*360 degree swivel allow the wrench free to operation with no space limitation.
- More accuracy and easier when the wrench direct operate on the nuts.
- Compact design with longer arm fully advances the reliability.
- Compact design with the raw material of advanced aluminum-titanium alloy, high intense.

LOW series is the professional Low profile hydraulic torque wrench which WREN vigorously extends in international market. Compare with the square drive hydraulic torque wrench, this series work directly on the nuts, and its body suits well in the narrow space. LOW covers the nuts from S19 to S175. To fulfill all different working situations, the user can just replace the hexagon cassette because the hexagon cassette is changeable, or add the reducer. WREN provide after-sales service all over the world, and already got the approved by CE certificate.

### Accessory:

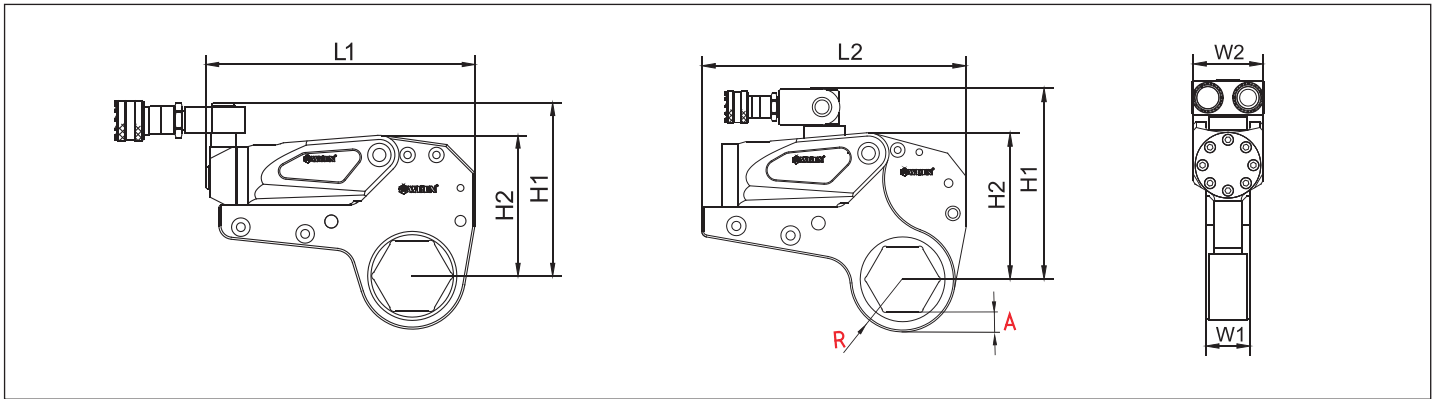
Reaction Pad	
Extending Reaction Arm	



### LOW Paramete Chart

TYPE	Torque (N.m)	Nut Sizes (mm)	Power Head Weight (Kg)	Cassette Weight (Kg)	Sizes (mm)							
					L1	L2	H1	H2	W1	W2		
<b>2LOW</b>	232~2328	19~55	1	1.6	196.4	196.4	125.9	102.3	32	51		
	241~2414	60	1	1.7			128.5	105	32	51		
<b>4LOW</b>	585~2510	34~36	2	4.4	245	246	177	135.7	42	66		
	585~5021	41		4.6			187	145.7	42	66		
	585~5858	46~65	2	8			300	301	207	169	53	83
	647~6474	70~80							216	178	53	83
<b>8LOW</b>	1094~10941	41~95	3.3	8	361	361	239	204	64	99		
	1177~11774	100~105	3.3	8.4			303	272	85	131		
<b>14LOW</b>	1852~18521	50~117	5.5	11.6	430	441	315	285	85	131		
	4188~41882	85~155	11.4	29			303	272	85	131		
<b>30LOW</b>	4459~44593	160~175	11.4	30	430	441	315	285	85	131		
	4188~41882	85~155	11.4	29			303	272	85	131		

## LOW Dimension Drawing



## LOW Series Hexagon Cassette Selection Chart

2LOW				4LOW				8LOW				14LOW				30LOW			
Type	R	A	Max Torque	Type	R	A	Max Torque	Type	R	A	Max Torque	Type	R	A	Max Torque	Type	R	A	Max Torque
2LOW-19	27	16	2328	4LOW-34	36	16	2510	8LOW-41	46	22	10941	14LOW-50	60	31	18521	30LOW-85	78	28	41882
2LOW-22	27	14	2328	4LOW-36	36	15	2510	8LOW-46	46	19	10941	14LOW-55	60	28	18521	30LOW-90	78	27	41882
2LOW-27	27	11	2328	4LOW-41	39	15	5021	8LOW-50	46	17	10941	14LOW-60	60	25	18521	30LOW-95	83	28	41882
2LOW-30	29	12	2328	4LOW-46	42	15	5858	8LOW-55	50	18	10941	14LOW-65	60	22	18521	30LOW-100	83	25	41882
2LOW-32	29	11	2328	4LOW-50	44	15	5858	8LOW-60	52	17	10941	14LOW-70	60	19	18521	30LOW-105	89	28	41882
2LOW-34	31	11	2328	4LOW-55	46	14	5858	8LOW-65	55	17	10941	14LOW-75	63	19	18521	30LOW-110	89	25	41882
2LOW-36	31	10	2328	4LOW-60	50	15	5858	8LOW-70	58	17	10941	14LOW-80	66	19	18521	30LOW-115	95	28	41882
2LOW-41	34	10	2328	4LOW-65	53	15	5858	8LOW-75	60	17	10941	14LOW-85	69	19	18521	30LOW-117	95	27	41882
2LOW-46	37	10	2328	4LOW-70	56	15	6474	8LOW-80	63	16	10941	14LOW-90	72	20	18521	30LOW-120	95	25	41882
2LOW-50	40	11	2328	4LOW-75	59	15	6474	8LOW-85	66	16	10941	14LOW-95	74	19	18521	30LOW-125	101	29	41882
2LOW-55	43	11	2328	4LOW-80	61	15	6474	8LOW-90	69	17	10941	14LOW-100	77	19	18521	30LOW-130	101	26	41882
2LOW-60	46	11	2414					8LOW-95	71	16	10941	14LOW-105	80	19	18521	30LOW-135	104	26	41882
								8LOW-100	75	17	11774	14LOW-110	83	19	18521	30LOW-140	110	29	41882
								8LOW-105	78	17	11774	14LOW-115	87	20	18521	30LOW-145	110	26	41882
												14LOW-117	87	19	18521	30LOW-150	116	29	41882
																30LOW-155	116	26	41882
																30LOW-160	128	36	44593
																30LOW-165	128	33	44593
																30LOW-170	128	30	44593
																30LOW-175	128	27	44593

WREN can be customized according to customer requirements of special types of cassette.

## Industrial Applications:

