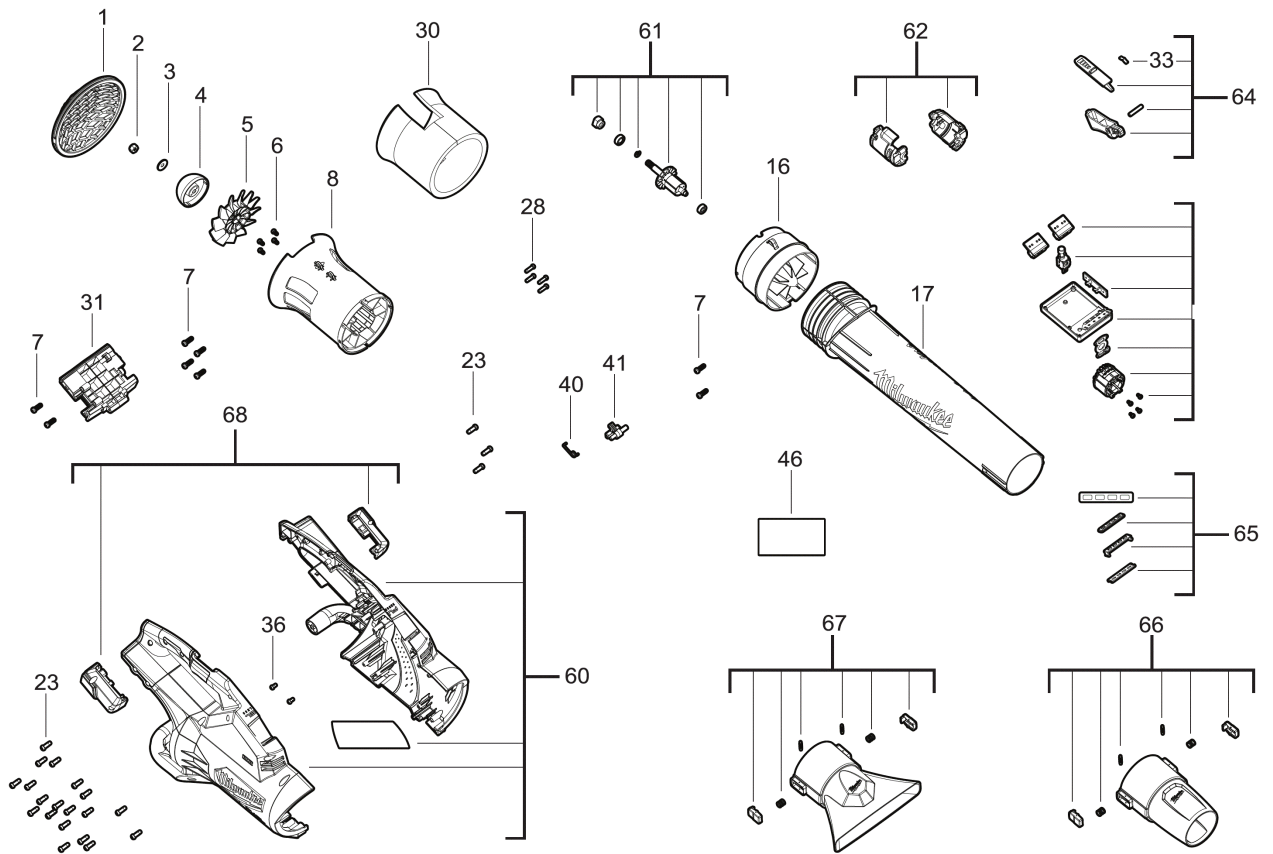


# M18F2BL-802 DUAL BATTERY BLOWER IN2

4933479988 - M18F2BL-802 - 4000491560





Position	Quantity	Description	Part number	EAN
0001	1	INLET FILTER	4931494421	4058546469931
0002	1	NUT	4931465440	4058546235406
0003	1	WASHER	4931465439	4058546235390
0004	1	CAP	4931465438	4058546235383
0005	1	FAN	4931494422	4058546469948
0006	4	SCREW	4931494423	4058546469955
0007	8	SCREW	4931494424	4058546469962
0008	1	REDUCER	4931494425	4058546469979
0016	1	UNIV.REDUCTION	4931494426	4058546469986
0017	1	TUBE	4931494427	4058546469993
0023	22	SCREW	4931479948	4058546397111
0028	4	SCREW	4931453227	4002395153206
0030	1	FOAM	4931494428	4058546470005
0031	1	POWER MODULE	4931494429	4058546470012
0033	1	SPRING PLATE	4931452341	4002395172528
0036	2	SCREW	4931431788	4002395895717
0040	1	SPRING	4931494430	4058546470029
0041	1	LOCK	4931494431	4058546470036
0046	1	RATING PLATE	4931494432	4058546470043
0060	1	HOUSING	4931494433	4058546470050
0061	1	ROTOR	4931494434	4058546470067
0062	1	MOTOR HOUSING	4931494435	4058546470074
0064	1	TRIGGER	4931494437	4058546470098
0065	1	GAUGE	4931494438	4058546470104
0066	1	NOZZLE	4931494439	4058546470111
0067	1	NOZZLE	4931494440	4058546470128
0068	1	BATTERY BOX	4931494441	4058546470135