

Multifunctional Solar LED Street Light

User Manual



40W /4800lm

We Light, We Pro!



Please read and follow all instructions to operate.
Save this manual for future reference.

Specification

Product Name	Multifunctional Solar LED Street Light
Power/Lumen	40W /4800lm
LEDs	SMD2835*90PCS
Solar panel	21W/13.5V, Mono-crystalline silicone material
Battery	LiFePO4 Battery, 32650, 9.6V/ 12000mAh, replaceable
CCT	3000K/4000K/6000K
Beam Angle	140X70°-TPIII
Detection Angle/Distance	120°/ 8-12Mtrs
Product Dimension	706.1*289.7*73.6mm
Working Temperature	-20℃~ 60℃
Installation Height	3-6Mtrs
Warranty	36 Months
Package	Colorbox (1*Solar Light, 1*Remote control, 1* User Manual, 2* U-shaped brackets, 1*Wrench.)

Features

- Solar Powered
- ZERO Electricity Cost
- Light on/off Automatically
- DIY Working Modes
- Safe
- IP65 Waterproof
- Battery Replaceable
- Cordless
- Multifunctional
- Long Lighting Time

Working Modes



Button control:

Please press the button on the lamp to select working modes.
Press 1st time for Mode A;
Press 2nd time for Mode B;
Press 3rd time for off.

Remote control:

Please press the button on the lamp firstly to activate the lamp, then use remote control to adjust demanded working mode.

Mode A: Constant Lighting Mode



Press button on the lamp 1st time or on the remote control, the lamp will automatically turn on at night and keep 60% brightness constantly for 4 hours(induction is invalid), then it turns to Sensor Mode.

Mode B: Sensor Mode



Press button on the lamp 2nd time or on the remote control, the lamp will automatically turn on with 100% full brightness when motion is detected in the range ≤ 12 mtrs, then turns to 30% brightness in 20 seconds of no motion.

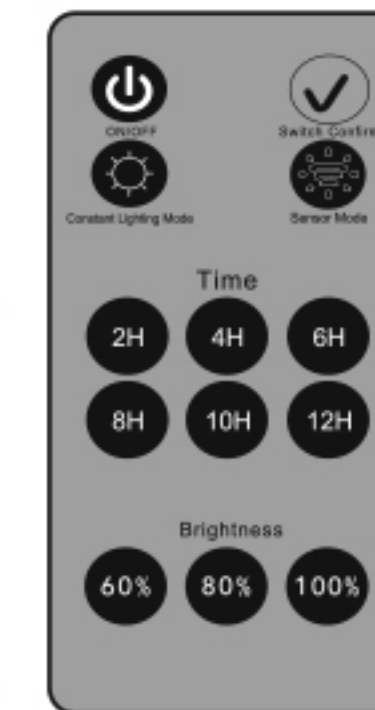
Remind:

1. Above working modes are factory default settings, user can re-set it to: press button on the lamp 1st time for mode B and press 2nd time for mode A, meanwhile also can select different working time or brightness by remote control, after which it will automatically become the latest default working mode.

- Mode A and Mode B cannot be set to the Constant Lighting Mode at the same time, nor can they be set to the Sensor Mode at the same time.
- The lamp has memory function. After lamp restarted, it will continue to work in the latest default working mode.

DIY Working Time and Brightness by Remote Control

Remote Control Distance: 12Mtrs



Mode A(Constant Lighting Mode):

time and brightness are both adjustable.

For example:

- Press button "Constant Lighting Mode";
- Press button "Time 2H".
- Press button "Brightness 60%".

The lamp will flash one time after press each button above, which indicates it's set successfully as below: Lamp automatically turns on at night and keep 60% brightness for 2hrs, then it turns to Sensor Mode.

Mode B(Senor Mode): only brightness(when activated by induction) is adjustable.

For example:

- Press button "Sensor Mode";
- Press button "Brightness 60%".

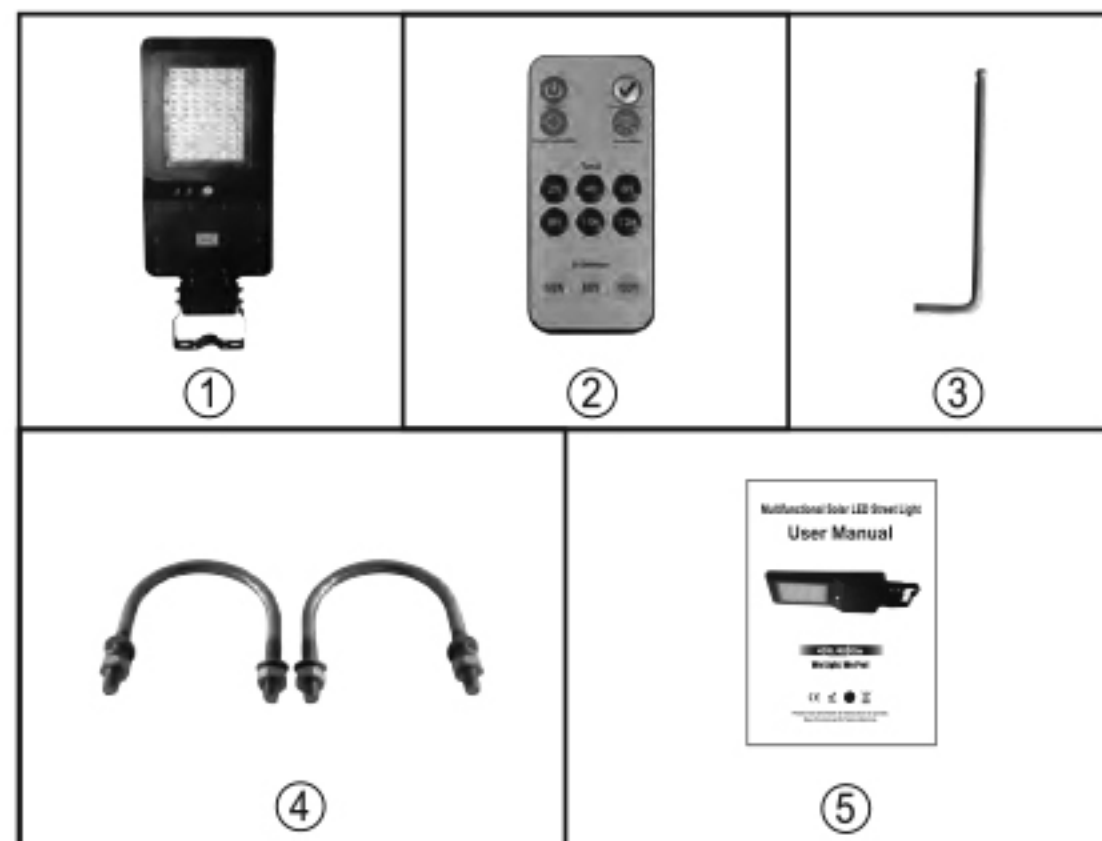
The lamp will flash one time after press each button above, which indicates it's set successfully as below:

Lamp automatically turns on with 60% brightness when motion is detected in the range ≤ 12 mtrs, then turns to weak brightness (30% of 60% brightness) in 20 seconds of no motion.

Notice

1. The lamp button is power-off switch, lamp can get solar charged in any mode.
2. This is a solar powered lamp, please install it in a location where can get enough sunshine.
3. Please note the lighting time depends on the sunshine duration & weather.
4. Built-in intelligent IC is with over-charge, over-discharge and over-voltage protection.
5. The lamp gets solar charged at day time, and lights up automatically at dusk.
6. The lamp is equipped with an internal battery pack, which is replaceable. If any need, please contact seller for correct new battery pack.
7. Non-professionals please do not disassemble the lamp.
8. Please do not dispose the battery with household garbage to avoid explosion.

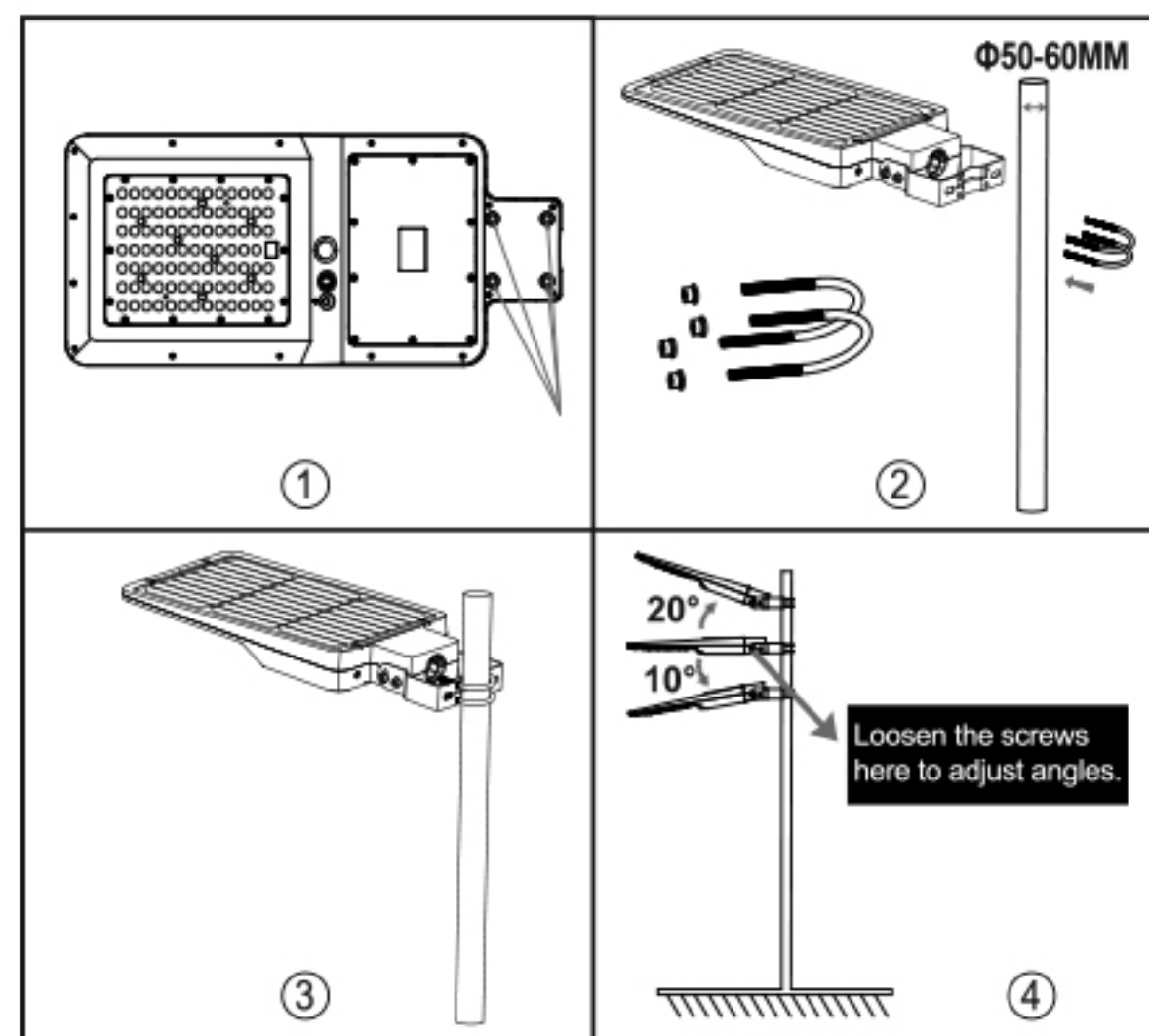
Accessories



Installations

Installation A: Straight Pole

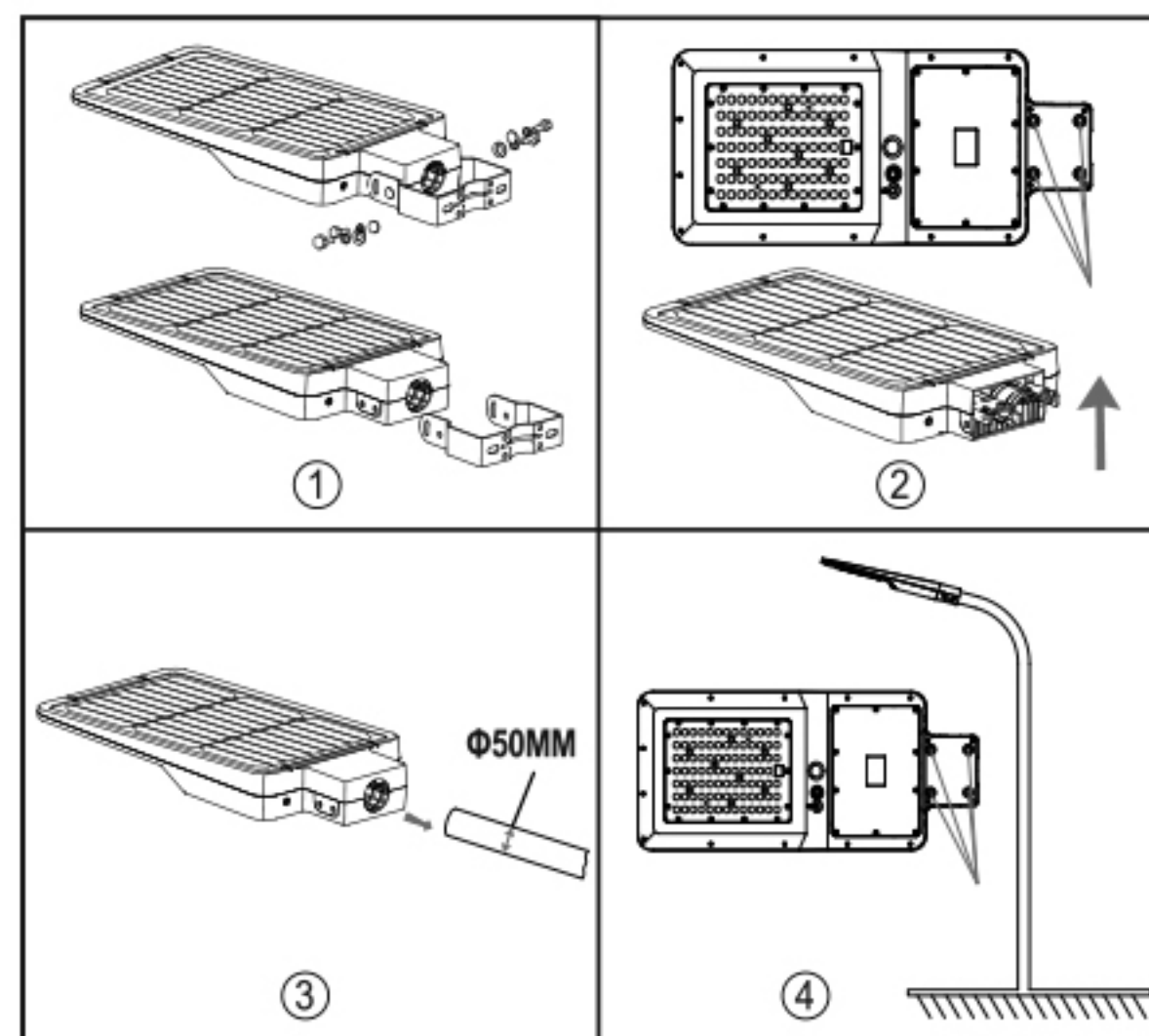
(Default installation method, accessories included)



1. Before installation, make sure the 4 bottom screws are tightened.
2. Remove the gaskets of small U-shaped brackets, then insert them to lamp bracket across the straight pole.
3. Tighten the screws to fix lamp onto the pole (applicable to the poles of $\Phi 50-60\text{mm}$).
4. If any need, please loosen the screws at both sides of lamp to adjust the lamp angle, which is upward 20° and downward 10° adjustable, then tighten the screws of the lamp.

Installation B: Curved Pole

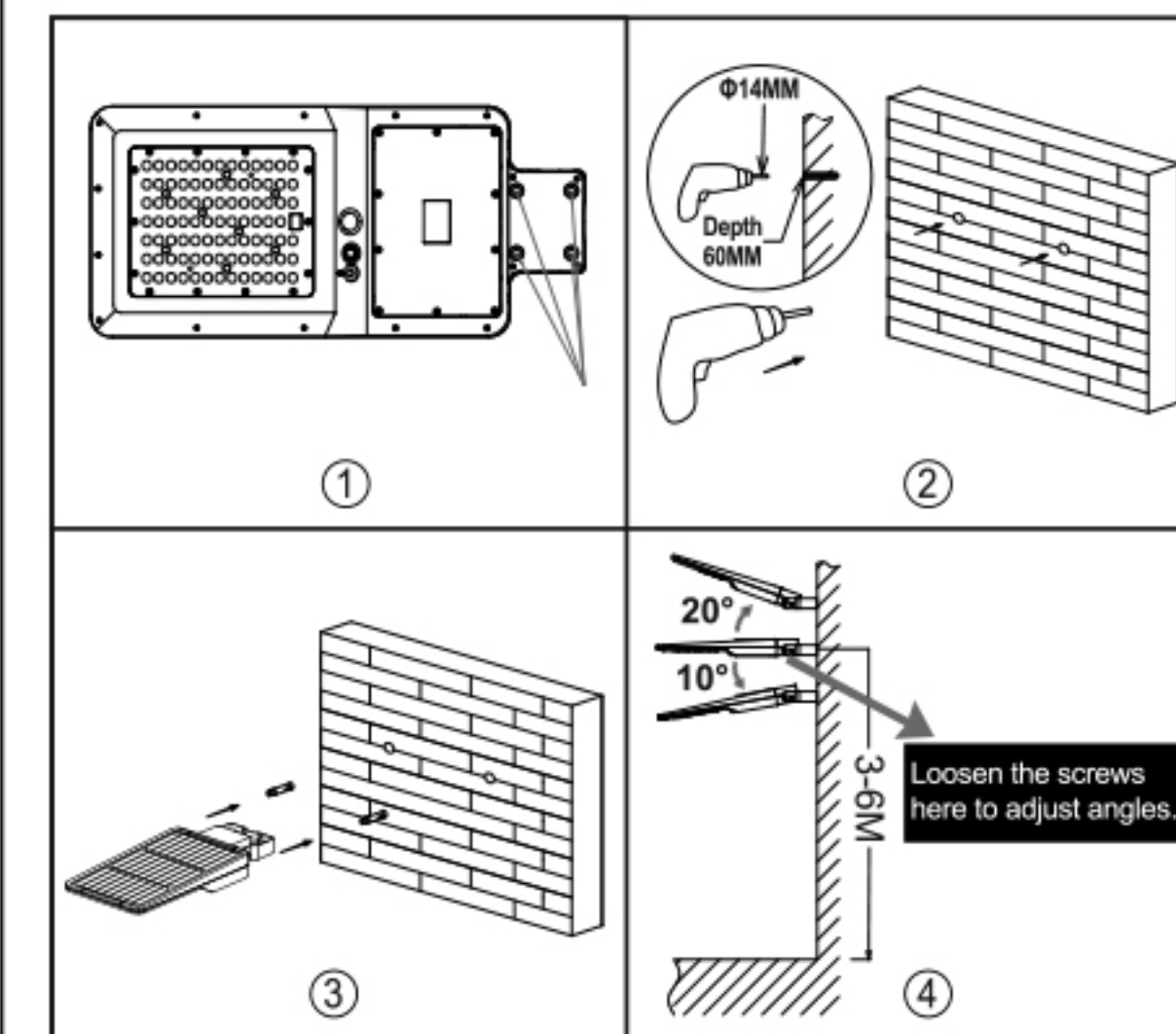
(Default installation method, accessories included)



1. Loosen the screws and remove the big U-shaped bracket.
2. Loosen the bottom screws to match the pole.
3. Install the lamp on the pole (applicable to the poles of $\Phi 50\text{mm}$).
4. Adjust the lamp and balance it, tighten the four screws to lock the lamp.

Installation C: Wall Mounted (Optional)

(Customers need to prepare 2pcs expansion screws M10*60mm themselves.)



1. Before installation, make sure the 4 bottom screws are tightened.
2. Drill 2 holes of $\phi 14\text{mm}$ with a depth of 60mm and holes distance 104mm on the wall.
3. Use 2 expansion screws to fix the lamp on the wall.
4. If any need, please loosen the screws at both sides of lamp to adjust the lamp angle, which is upward 20° and downward 10° adjustable, then tighten the screws of the lamp.