

CRANE FLEX G500SBR

LIFTING CAPACITY 500 KG

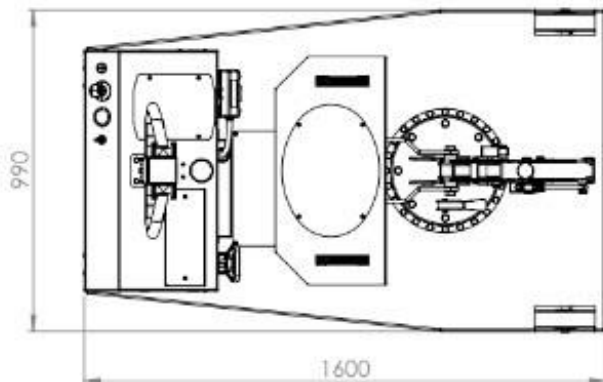
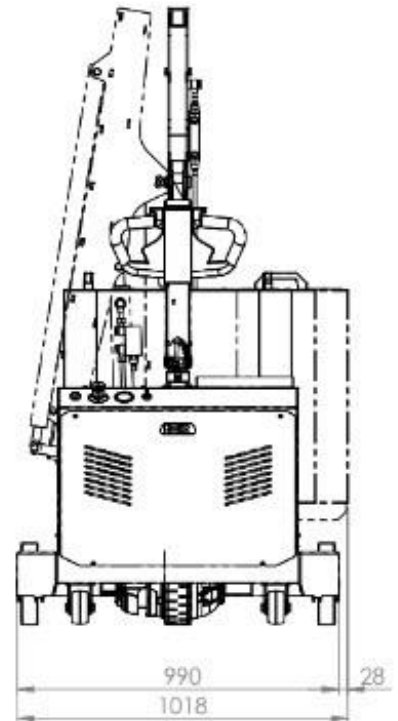
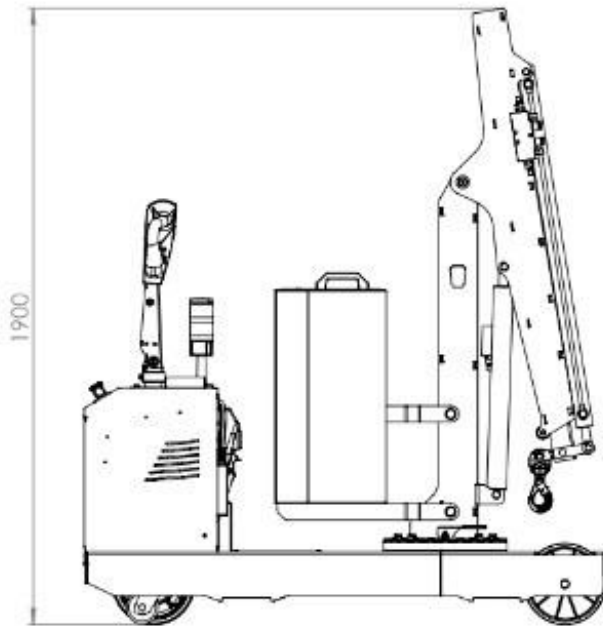
MOTORISED COUNTERBALANCED SWIVEL CRANE

ELECTRIC LIFT/LOWER/EXTEND/RETRACT THROUGH PUSH BUTTON REMOTE CONTROL
AT ADJUSTABLE SPEED

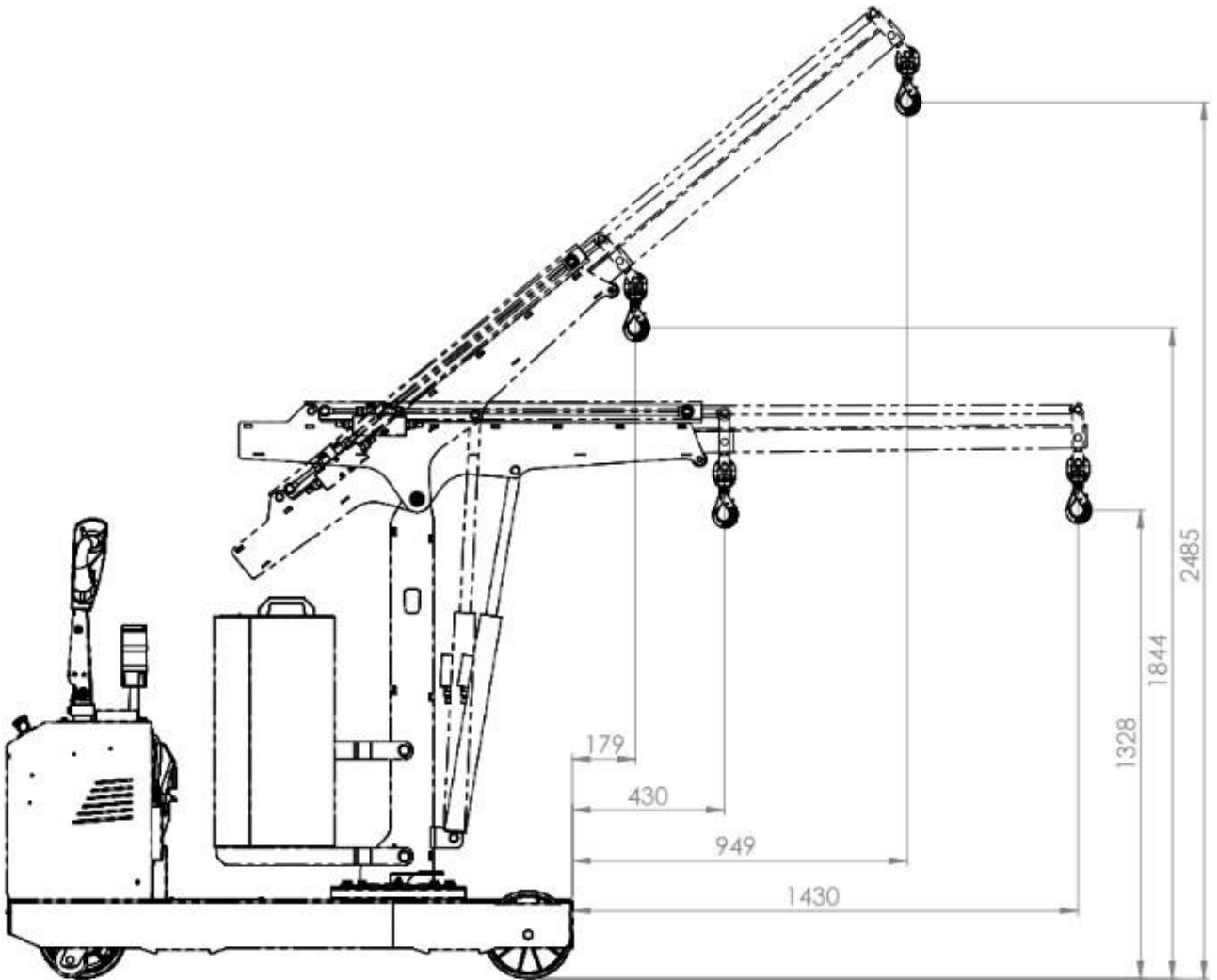


Model		FLEX G500SBR
Drive		Electric
Rotation		270° manual - slewing bearing system
Arm lifting		Electric – remote control
Arm lowering		Electric – remote control
Arm extension		Electric – remote control
Width with arm not rotated	mm/inch.	990 / 39
Width with arm rotated at 90°	mm/inch.	1018 / 40
Max capacity with standard arm	Kg / lbs.	500 / 1102 * see load chart below
Max capacity with extension PZG_SE	Kg / lbs.	100 / 220 * see load chart below
Weight of the crane (counterweight incl.)	Kg / lbs.	910 / 2006
Battery type standard		Maintenance free AGM
Batteries nos.	pcs	2
Battery voltage / nominal capacity	V / Ah	12 / 120
Lifting motor	W	800
Traction motor	W	1200

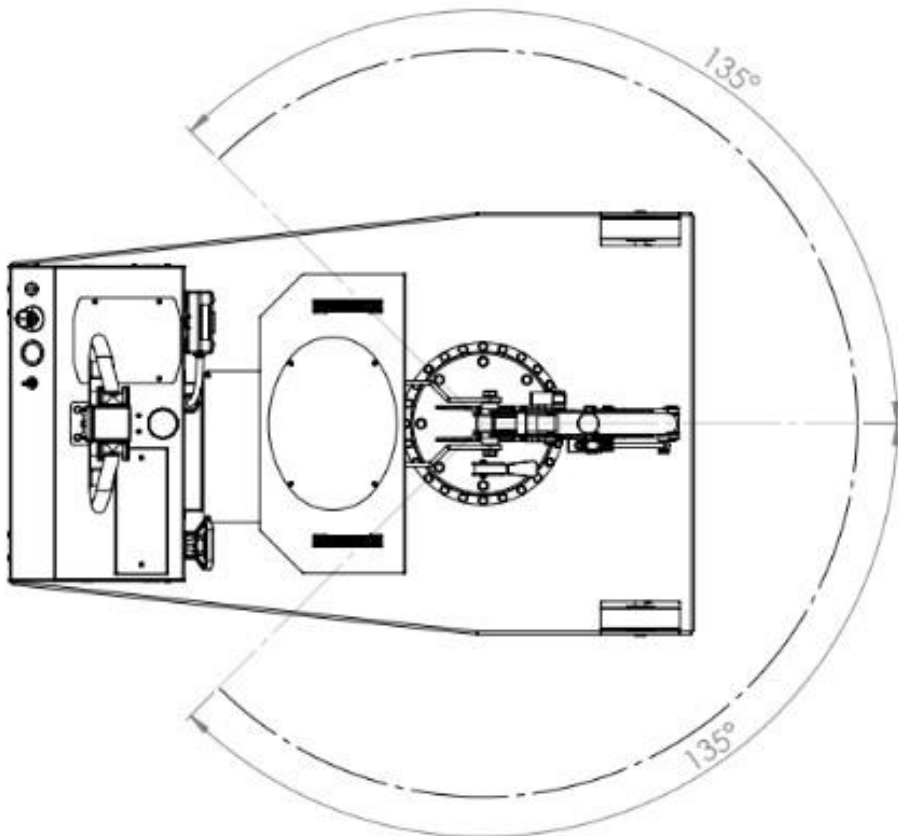
CRANE FLEX G500SBR MAIN DIMENSIONS



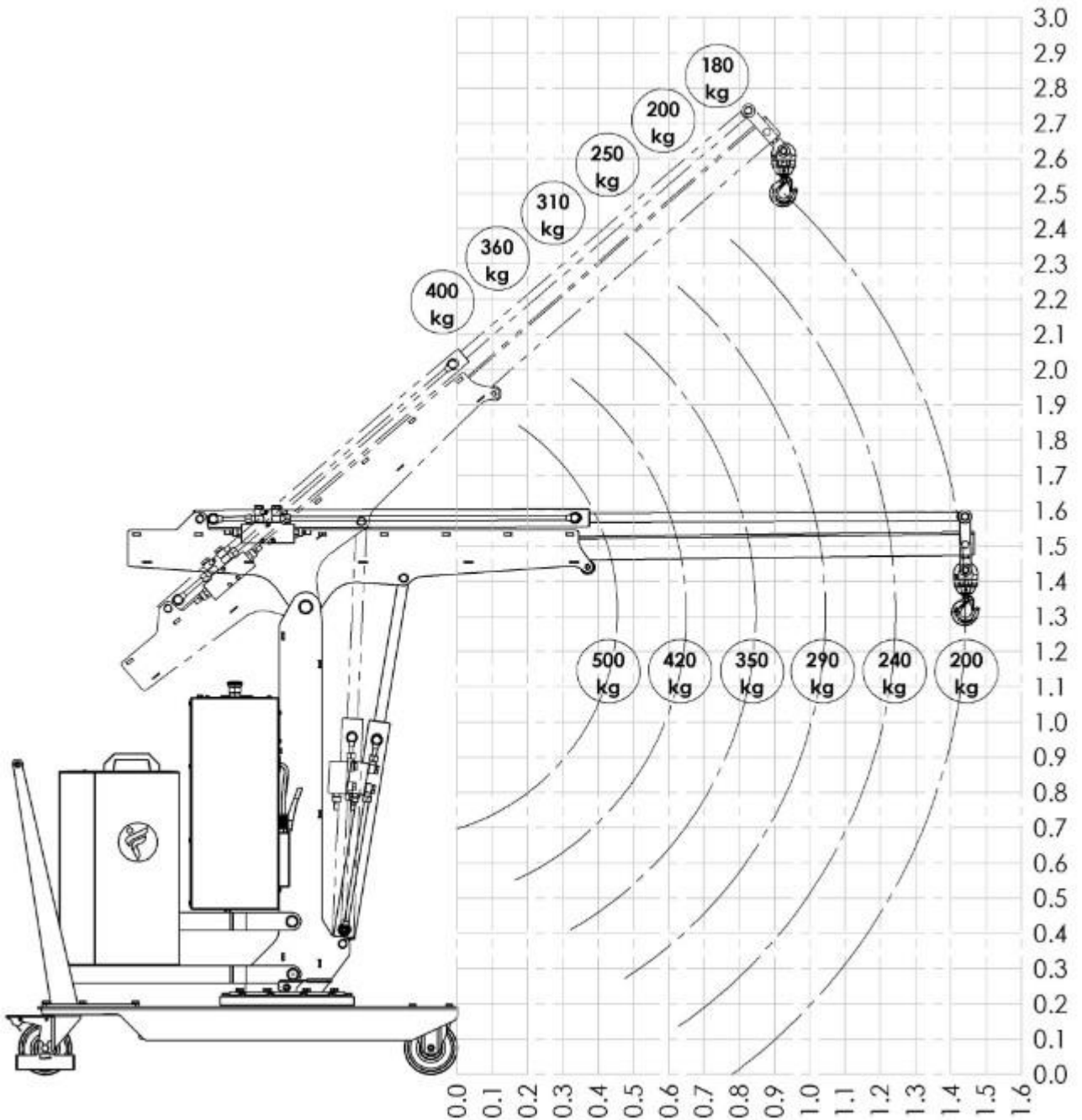
CRANE FLEX G500SBR DETAILED DIMENSIONS WITH STANDARD ELECTRIC ARM



CRANE FLEX G500SBR MAIN DIMENSIONS



CRANE FLEX G500SBR LOAD CHART WITH STANDARD ELECTRIC ARM



CRANE FLEX G500SBR LOAD CHART WITH OPTIONAL MECHANICAL EXTENSION PZG_SE

