

# XMD-3080

8.0" MIDRANGE LOUDSPEAKER

1.5 Inch Voice Coil 4 Ω



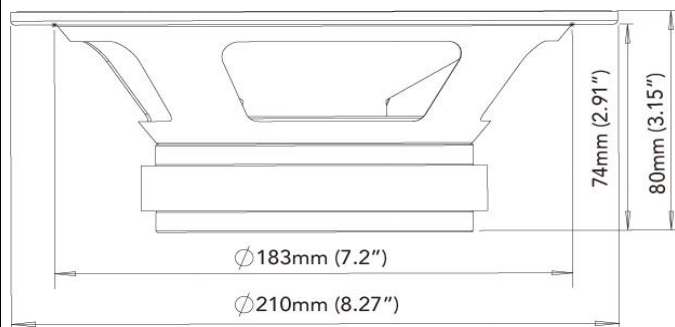
## SPECIFICATIONS:

General Data		Unit
Overall Dimensions	210	mm
Mounting Depth	74	mm
Baffle Cutout Diameter	183	mm
Nominal Power Handling	150	W
Maximum Power	300	W
Sensitivity	95	Db
Frequency Response	128-8.7k	Hz
Cone Material	Paper Cone	\
Basket	Steel	\
Net Weight	1.5	KGS
Electrical Data		
Nominal Impedance	4	OHMS
DC Resistance	3.2	OHMS
Voice Coil and Magnet Parameters		
Voice Coil Diameter	38.6	mm
Voice Coil Height	7.3	mm
HE Magnetic Gap Height	5	mm
Number of Layers	2	pc
Winding Material	CCAW	\
Voice Coil Bobbin	Kapton	\
Magnet System Type	Ferrite	\
Magnet Weigth	21	Oz
T-S Parameters		
Suspension Compliance	187.9	Cms
Mechanical Q Factor	7.9	Qms
Electrical Q Factor	1.7	Qes
Total Q Factor	1.4	Qts
Moving Mass	13.8	Mms
Eq.Cas AIR Load	11.9	Vas
Resonant Frequency	100	Fs
Effective Piston Area	211.2cm <sup>2</sup>	SD

## Pictures



## Dimensions



## SPL and FREQ

