

1.6K2

2-WAY SPEAKER SYSTEM WITH 6 DB TWEETER CROSSOVER



- Pressed paper woofer
- Rubber surround
- 25 mm voice coil
- 10 Oz ferrite magnet (woofer)
- Silk dome tweeter
- Neodymium magnet (tweeter)
- Power: 140 Watt Peak (70 Watt RMS)
- Sensitivity: 90 dB (2.83V/1M)
- Frequency Response: 60 - 22000 Hz
- Impedance: 4 Ohm



SPECIFICATIONS

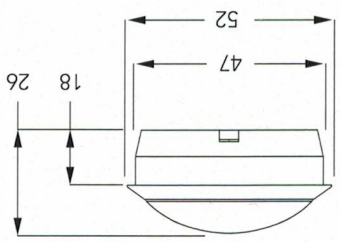
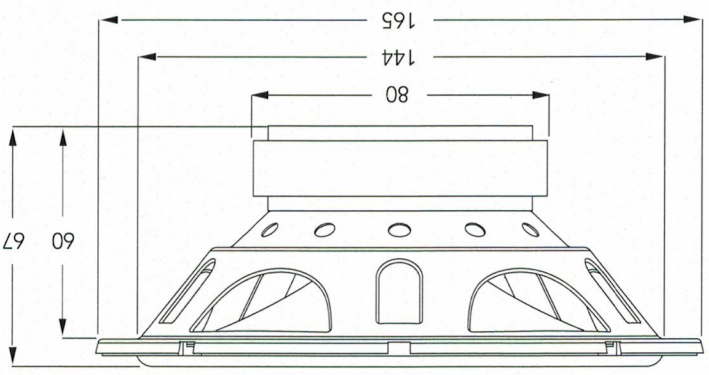
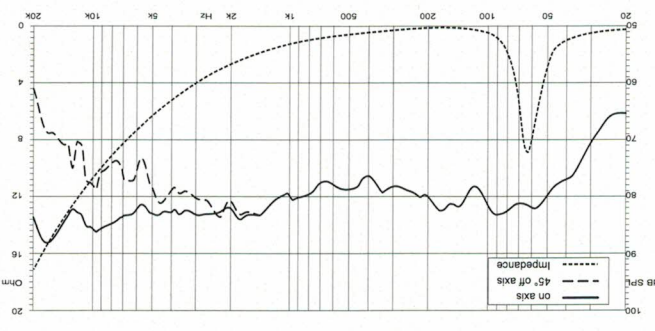
Technical Characteristics	Symbol	Value	Units
SYSTEM GENERAL DATA			
Nominal Power Handling (AES)*	P	70	W
Transient Power*	Pp	140	W
Sensitivity 1W/1m	SPL	90	dB SPL
Frequency Response		60 - 22000	Hz
Nominal Impedance	Z	4	Ω
*Nominal and Transient power @ High Pass 80Hz - 12dB/Oct			

WOOFER VOICE COIL AND MAGNET PARAMETERS		
Voice Coil Diameter	Dia	25.5 mm
Magnet System		Ferite-Y25
BL Product	BxL	4.1 Na

TWEETER VOICE COIL AND MAGNET PARAMETERS		
Voice Coil Diameter	Dia	25.4 mm
Magnet System		Neodymium N-35

WOOFER T&S PARAMETERS		
DC Resistance	Ω	3.3
Suspension Compliance	Cms	0.44 N/m
Mechanical Q Factor	Qms	4.21
Electrical Q Factor	Qes	1.10
Total Q Factor	Qts	0.87
Moving Mass	Mms	14.1 g
Eq Comp. Air Load	VAS	11.5 l
Resonance Frequency	Fs	64 Hz

TWEETER T&S PARAMETERS		
DC Resistance	Ω	2.8
Resonance Frequency	Fs	1440 Hz



All measurements in millimeters