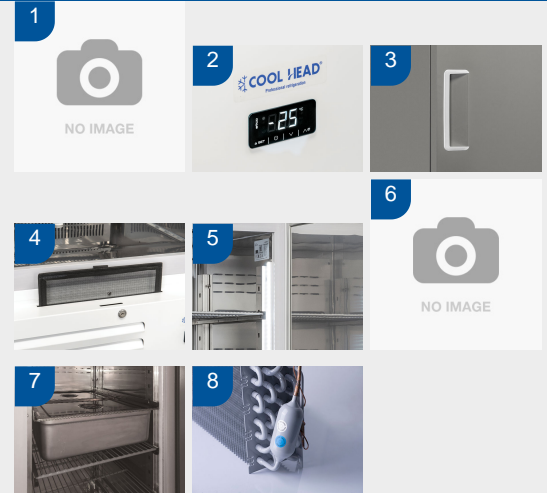




DETAILS



1. Evaporator with anti-corrosion treatment

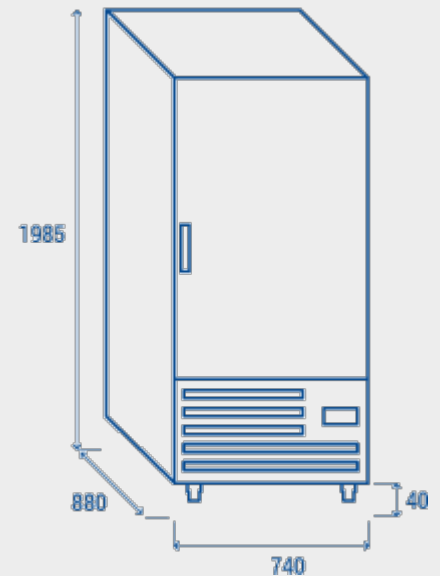
GENERAL FEATURES

GN2/1 Freezer upright cabinet	•
Gray coated steel for external side and stainless steel for inner side	•
Ventilated Cooling	•
Evaporator and condenser with anti-corrosion treatment	•
Bottom side engine room (for comformable storage goods in the chamber)	•
Hot gas defrost system	•
Digital thermostat with "opening door" and "Hi temperature" alarm	•
Foaming Agent Cyclopentane (80mm)	•
Removable Gasket	•
LED light and lock fitted as standard	•
Door: Self closing and reversible door fitted as standard	•
Adjustable shelves GN2/1: 5 Pcs	•
Plastic thermal-braker as chamber body frame (Hot pipe system)	•
Pressure valve for easily opening door	•
N.4 Adjustable feet - S/S feet or castor with brake (Option)	•

TECHNICAL SPECIFICATION

INNER DEPTH	710 mm
INNER HEIGHT	1430 mm
INNER WIDTH	580 mm
DEPTH	880 mm
HEIGHT	2025 mm
WIDTH	740 mm
KW/24H	6.1 Kw
CAPACITY	600 L
NOISE LEVEL	48 dB(A)
CONSUMPTION	313 W
NET WEIGHT	144 Kg
TEMPERATURE RANGE	-18° ~ -22°C

SIZES



CERTIFICATIONS

