

# DISPLAY UPRIGHT REFRIGERATED SHOWCASE | DISPLAY

# RC 235



## DETAILS



1. Inner vertical LED light
2. Door handle
3. Digital control panel

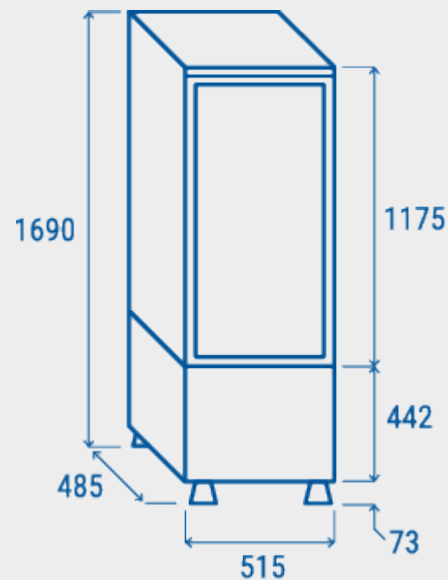
## GENERAL FEATURES

235 Lt. Upright refrigerated showcase (White Color)	•
Flat glass with white frame and plastic basement	•
Ventilated Cooling	•
Automatic compressor cycle defrost	•
Mechanical temperature control with digital display	•
Interior LED light	•
Toughened safety glass	•
Adjustable shelves (N.4 shelf)	•
N.4 fix support assembled under the basement	•

## SIZES

## TECHNICAL SPECIFICATION

INNER DEPTH	470 mm
INNER HEIGHT	1120 mm
INNER WIDTH	487 mm
DEPTH	485 mm
HEIGHT	1690 mm
WIDTH	515 mm
KW/24H	3.63 Kw
CAPACITY	235 L
NOISE LEVEL	57 dB(A)
CONSUMPTION	250 W
NET WEIGHT	76 Kg
TEMPERATURE RANGE	+2° ~ +12°C



## CERTIFICATIONS

