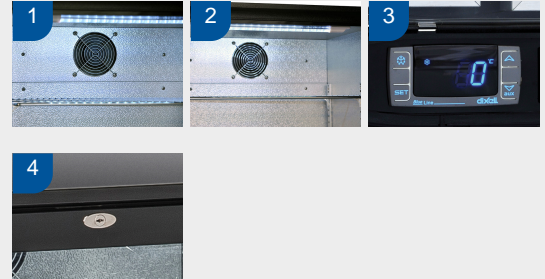




DETAILS

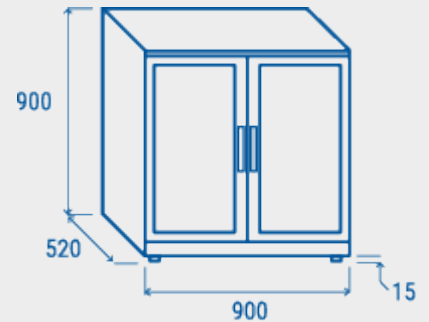


1. Inner assistance fan
2. Inner LED light
3. Digital Thermostat
4. Lock fitted as standard

GENERAL FEATURES

N.2 Hinged door BACK BAR (Height 900mm)	•
Aluminium for internal and black coated steel for external side	•
Item with shiny finishing and total height at 900mm	•
Roll-bond evaporator system with fan assisted cooling	•
Automatic compressor cycle defrost	•
Foaming Agent Cyclopentane (40mm per side)	•
Digital thermostat	•
Self closing door	•
Removable Gasket	•
Adjustable shelves: 4 Pcs	•
Toughened safety tempered glass	•
Lock fitted as standard	•
Inner horizontal LED light	•
N.4 Adjustable feet	•

SIZES



TECHNICAL SPECIFICATION

INNER DEPTH	420 mm
INNER HEIGHT	750 mm
INNER WIDTH	820 mm
DEPTH	520 mm
HEIGHT	900 mm
WIDTH	900 mm
KW/24H	1.9 Kw
CAPACITY	201 L
NOISE LEVEL	60 dB(A)
CONSUMPTION	230 W
NET WEIGHT	62 Kg
TEMPERATURE RANGE	+1° ~ +10°C

CERTIFICATIONS

