



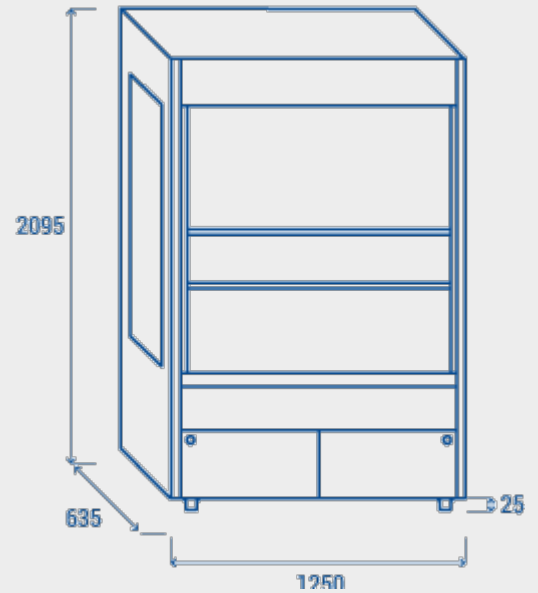
DETAILS



GENERAL FEATURES

| | |
|---|---|
| Wall showcase with hanging meat bar (Width: 1250mm) | • |
| External Egger laminate and black coated steel internally | • |
| Ventilated Cooling | • |
| Foaming Agent Cyclopentane (30mm per side - CFC Free) | • |
| Automatic compressor cycle defrost | • |
| Digital display control | • |
| Interior LED light (with independent switch) | • |
| Independent main switch | • |
| Adjustable shelves: 1 Pcs + hanging meat bar and 6 hooks | • |
| Panoramic ends providing the maximum visibility of the goods | • |
| Nightblind for an optimal energy conservation during nights (Fabric - Gray color) | • |
| Charcoal black bumper | • |
| N.4 Adjustable feet | • |

SIZES



TECHNICAL SPECIFICATION

| | |
|-------------------|-----------|
| INNER DEPTH | 540 mm |
| INNER HEIGHT | 1166 mm |
| INNER WIDTH | 1186 mm |
| DEPTH | 635 mm |
| HEIGHT | 2095 mm |
| WIDTH | 1250 mm |
| KW/24H | 19.7 Kw |
| CAPACITY | 564 L |
| NOISE LEVEL | 61 dB(A) |
| CONSUMPTION | 1158 W |
| NET WEIGHT | 212 Kg |
| TEMPERATURE RANGE | 0° ~ +2°C |

CERTIFICATIONS

