



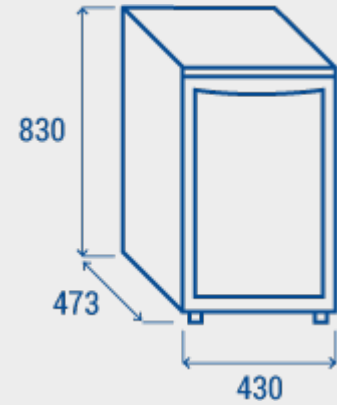
**DETAILS**



**GENERAL FEATURES**

88 Lt. Wine cellar free-standing installation	•
External in black coated plate, black thermoformed internally	•
Roll-bond evaporator system	•
Automatic compressor cycle defrost	•
Foaming Agent Cyclopentane (40mm per side)	•
Mechanical thermostat	•
Removable Gasket	•
Interior LED light	•
Duoble layer safety tempered glass	•
Transparent glass	•
Reversible door	•
Adjustable chromed shelf (6 Pcs) and chromed basket (1 Pcs)	•
N.4 Adjustable feet	•

**SIZES**



**TECHNICAL SPECIFICATION**

INNER DEPTH	394 mm
INNER HEIGHT	727 mm
INNER WIDTH	356 mm
DEPTH	473 mm
HEIGHT	830 mm
WIDTH	430 mm
KW/24H	0.562 Kw
CAPACITY	90 L
NOISE LEVEL	39 dB(A)
CONSUMPTION	85w
NET WEIGHT	23 Kg
TEMPERATURE RANGE	+4° ~ +18°C

**CERTIFICATIONS**

