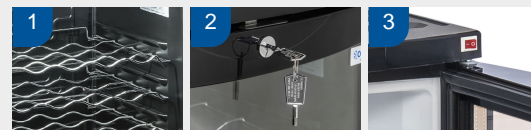




DETAILS

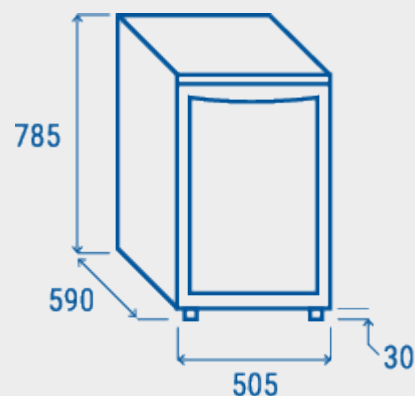


1. Lock fitted as standard

GENERAL FEATURES

85 Lt. Wine cellar free-standing installation	•
External in black coated plate, black thermoformed internally	•
Roll-bond evaporator system	•
Automatic compressor cycle defrost	•
Foaming Agent Cyclopentane (30mm per side)	•
Mechanical thermostat	•
Removable Gasket	•
Inner horizontal LED light (with independent switch)	•
Lock fitted as standard	•
Double layer safety tempered glass	•
Transparent glass	•
Adjustable chromed shelf (3 Pcs) and chromed basket (1 Pcs)	•
N.4 Adjustable feet	•

SIZES



TECHNICAL SPECIFICATION

INNER DEPTH	395 mm
INNER HEIGHT	625 mm
INNER WIDTH	410 mm
DEPTH	590 mm
HEIGHT	785 mm
WIDTH	505 mm
KW/24H	0.55 Kw
CAPACITY	85 L
NOISE LEVEL	46 dB(A)
CONSUMPTION	65 W
NET WEIGHT	35 Kg
TEMPERATURE RANGE	+4° ~ +10°C

CERTIFICATIONS

