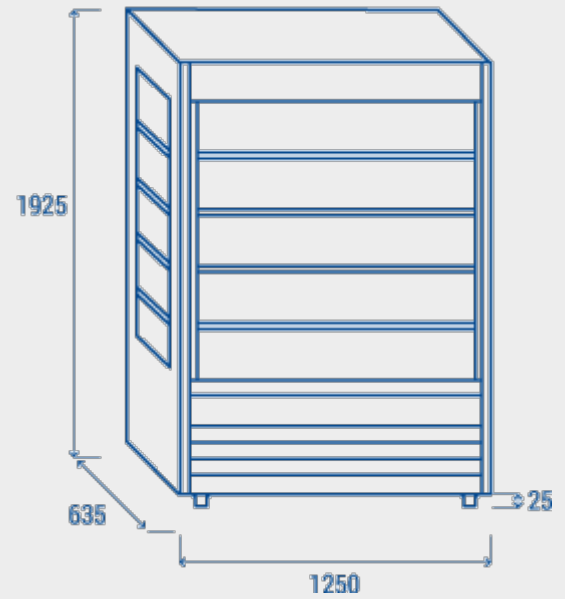




**DETAILS**



**SIZES**



**GENERAL FEATURES**

Wall showcase without doors (Width: 1250mm)	•
Gray coated steel for external and white internally	•
Ventilated Cooling	•
Foaming Agent Cyclopentane (30mm per side - CFC Free)	•
Automatic compressor cycle defrost	•
Digital display control	•
Interior LED light (with independent switch)	•
Independent main switch	•
Adjustable shelves: 4 Pcs	•
Panoramic ends providing the maximum visibility of the goods	•
Nightblind for an optimal energy conservation during nights (Fabric - Gray color)	•
Aluminium end trims and front panel	•
Charcoal grey bumper	•
N.4 Adjustable feet	•

**TECHNICAL SPECIFICATION**

INNER DEPTH	540 mm
INNER HEIGHT	1166 mm
INNER WIDTH	1186 mm
DEPTH	635 mm
HEIGHT	1950 mm
WIDTH	1250 mm
KW/24H	16.9 Kw
CAPACITY	564 L
NOISE LEVEL	61 dB(A)
CONSUMPTION	890 W
NET WEIGHT	211 Kg
TEMPERATURE RANGE	+3° ~ +5°C

**CERTIFICATIONS**

