

# DISPLAY UPRIGHT REFRIGERATED SHOWCASE | DISPLAY

# RC 78B



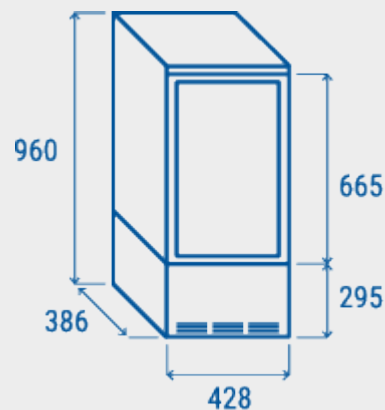
- 
- 
- 
- 
- 
- 

## DETAILS



1. Door handle
2. Inner vertical LED light

## SIZES



## GENERAL FEATURES

78 Lt. Upright refrigerated showcase (Black Color)	•
Flat glass with black frame and plastic basement	•
Ventilated Cooling	•
Automatic compressor cycle defrost	•
Mechanical temperature control	•
Interior LED light	•
Toughened safety glass	•
Adjustable shelves (N.3 Pcs)	•
N.4 fix support assembled under the basement	•

## TECHNICAL SPECIFICATION

INNER DEPTH	313 mm
INNER HEIGHT	636 mm
INNER WIDTH	378 mm
DEPTH	385 mm
HEIGHT	995 mm
WIDTH	425 mm
KW/24H	3 Kw
CAPACITY	78 L
NOISE LEVEL	43 dB(A)
CONSUMPTION	180 W
NET WEIGHT	45 Kg
TEMPERATURE RANGE	+2° ~ +12°C

## CERTIFICATIONS

