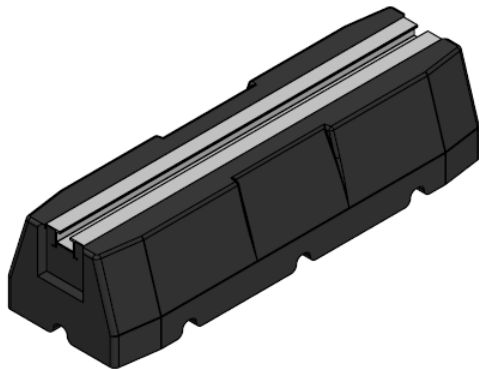


LuftX® Rubber mounting blocks 400mm (1 pair)



Product data:

Product code: LFX- 4040-002
Dimension(LxWxH): 400x130x95mm
Pallet quantity: 180 pieces (90 boxes)

Specification:

The support is made of sorted recycling rubber SBR with embedded aluminium profile.

Application:

As support under the air conditioning units, ventilation ducts, pipelines and other installations.

Materials:

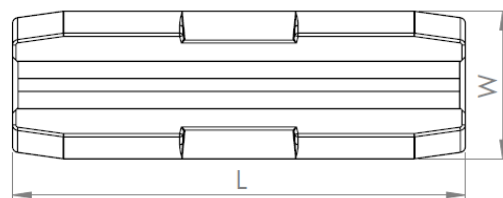
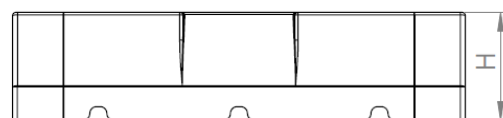
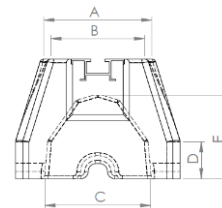
- sized granulated rubber (SBR rubber recycling)
- neutral polyurethane glue
- aluminium

Technical data and dimensions

Dimension	Measure [mm]	Tolerance [mm]
L	400	-0 +5
W	130	± 2
H	95	± 2
A	90	± 2
B	80,5	± 2
C	80	± 2
D	30	± 2
E	65	± 2

Weight: 3 kg ± 10%

Load: 180 kg / 1 pcs



All LuftX rubber blocks must in fact be installed according to the manufacturer's roof systems. The manufacturer of PVC membranes should advise on tendency to migration of plasticizers and define specific recommendations that should be taken into account during installation and which will guarantee that the roof is not affected.

Luftexpressen AB, Torbornavägen 12, 253 68 Helsingborg, Sweden. Tel. +4640 300 9660.

Copyright © 2020 Luftexpressen AB – All rights reserved.