


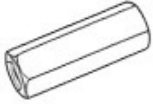




PACKING LIST

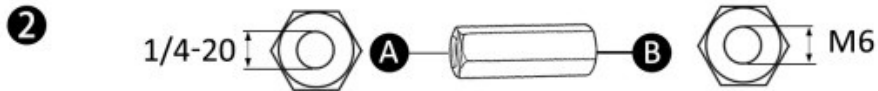


Include:

- Classic Black 60" Umbrella ×1
- Height Adjustable Tripod ×1
- Angle Adjustable Stand ×1
- Magnetic Base ×1
- A Pack of Screw Accessories (See Parts List)

Parts List

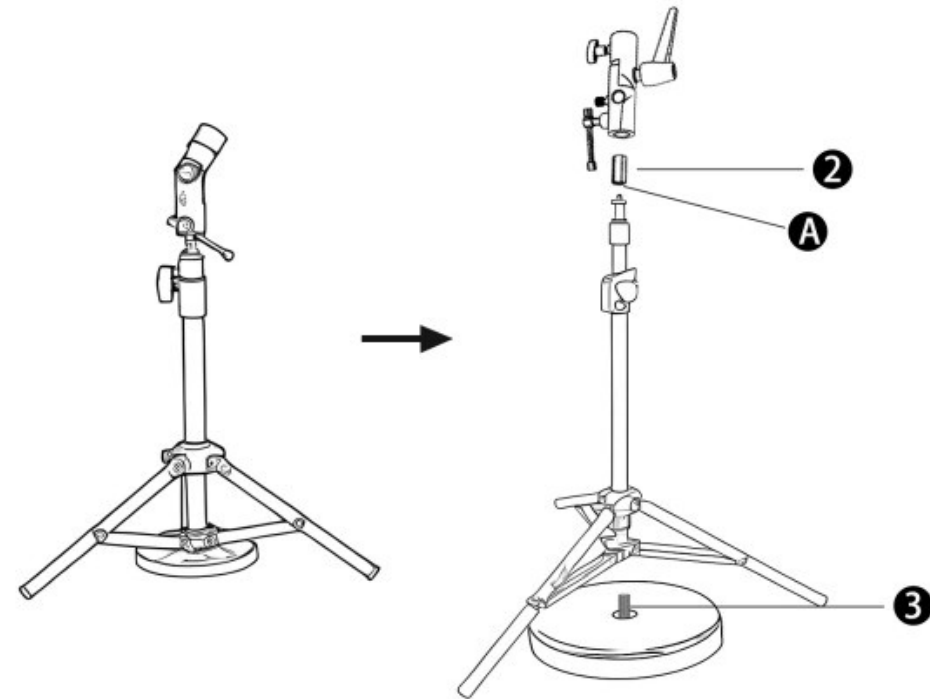
1 ×1		2 ×1		3 ×2	
4 ×2		5 ×2		6 ×2	



Tips: The two threaded ends of a hexagonal stud have different thread diameters

INSTALLATION GUIDE

Method A:



Method B:

