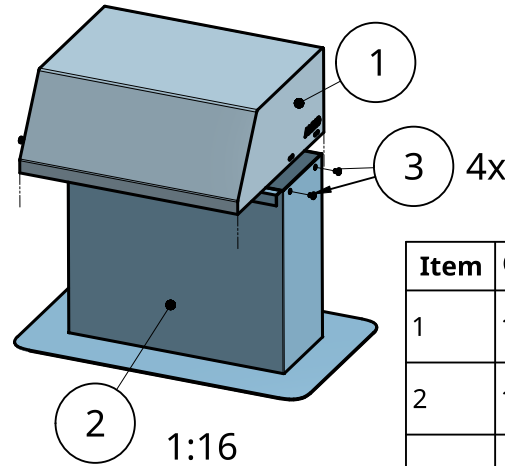
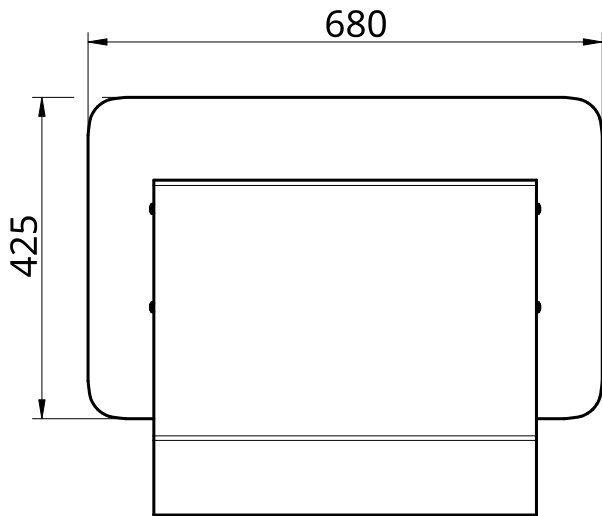


1:16



1:16



Item	Quantity	Part number	Description	Material	Mass
1	1	ALX-7186 TOP		Aluminum	2929.4 g
2	1	ALX-7186 BASE		Aluminum	4362.9 g
3	4	DIN 7985-Z SS	PZ Pan head screw M6x1.00 x 8 Stainless Steel	Stainless Steel	4.4 g

**ALIXO**

TITLE ALX-7186

DATE 2023-06-21

CUSTOMER

DO NOT SCALE DRAWING

PART NO. ALX-7186

UNLESS OTHERWISE SPECIFIED, DIMENSIONS ARE IN MILLIMETERS

SIZE A4 DWG NO. REV. A

FIRST ANGLE PROJECTION

SCALE 1:10 WEIGHT 7309.9 G SHEET 1 of 1

