

Fitting Instructions for Thermo Shower System – 75020 and 75060

Tools Needed

Adjustable wrench
Spirit level
PTFE tape
Screwdriver & drill (for rail/handset holder)
Measuring tape & pencil

1. Fit the Thermostatic Mixer Valve

Wrap PTFE tape around the wall pipe threads. Screw on the eccentric connectors if needed. Adjust them so they are level. Slide on decorative cover plates. Attach the mixer body and tighten – hand-tight + slight wrench turn. (Do not overtighten)

2. Install the Riser Rail / Shower Column

Attach the column to the mixer outlet. Use a spirit level to ensure it is vertical. Mark drill holes for wall brackets. Drill, insert wall plugs, and fix brackets securely. Lock the column in place with the set screws.

3. Fit the Shower Head & Handset

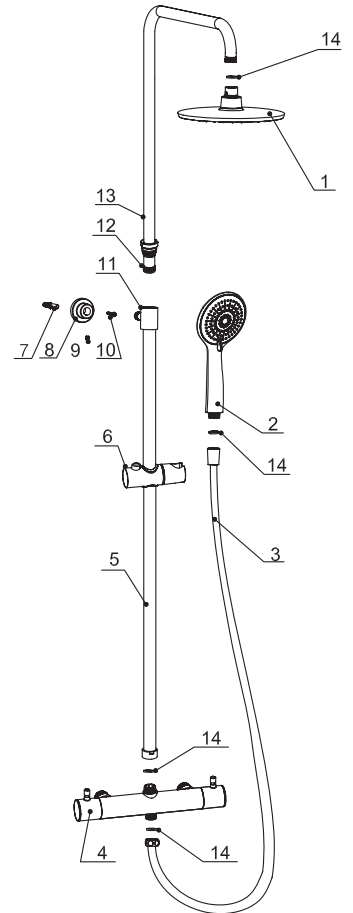
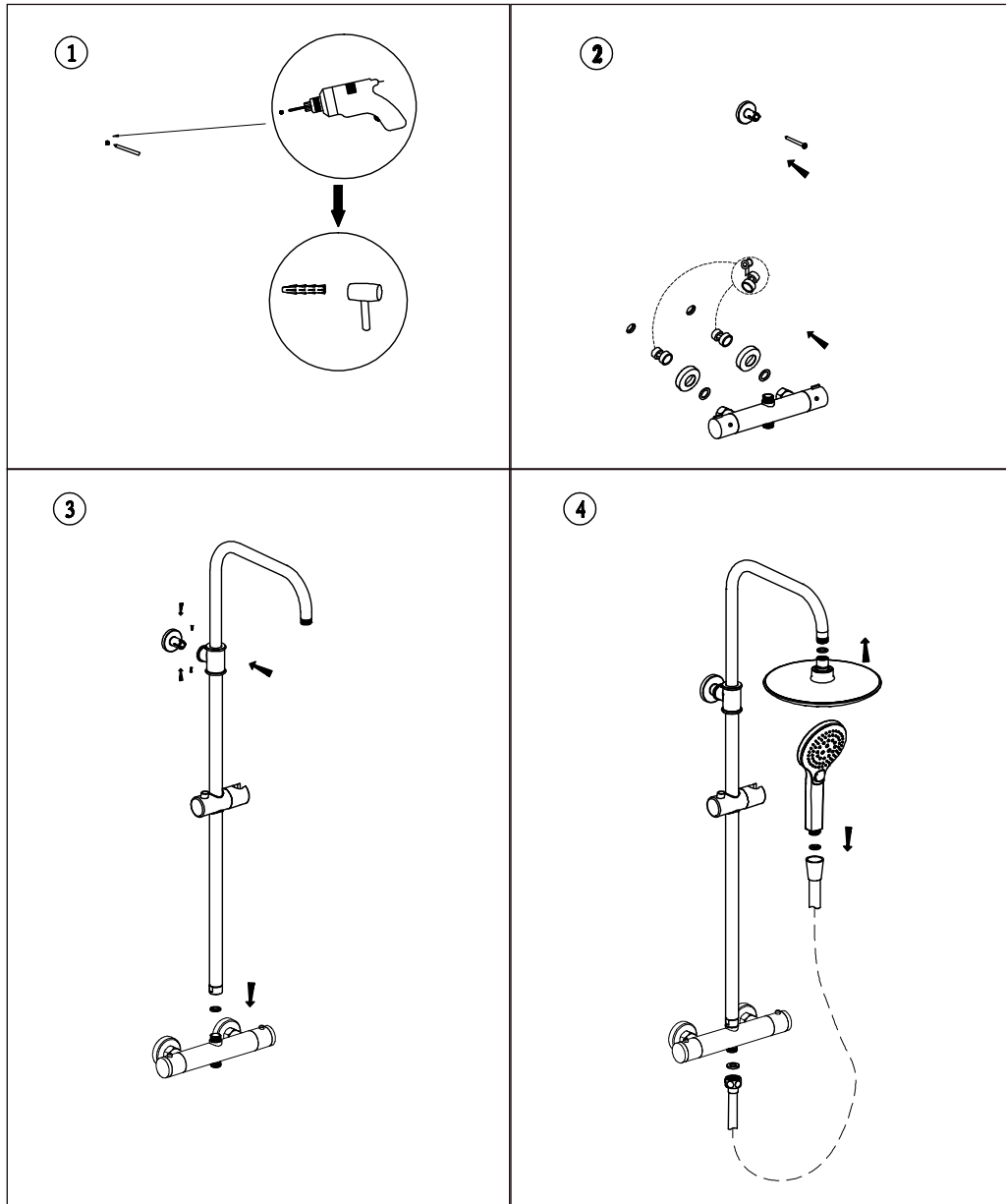
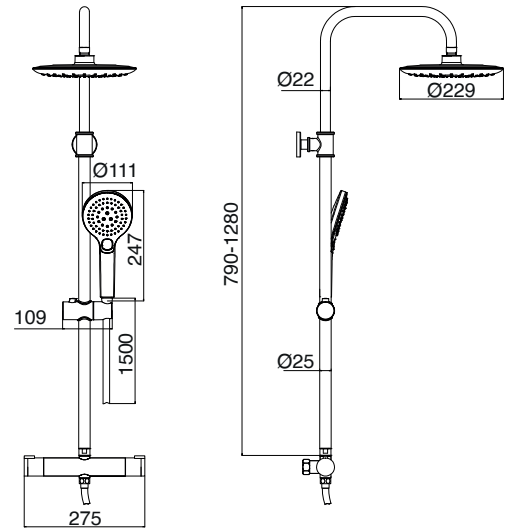
Attach the overhead shower to the top outlet. Connect the flexible hose to:

- Bottom outlet of the mixer
- Handset

Ensure rubber washers are inside hose connections.

4. Final Checks

Let water run for a few minutes. Check all joints for leaks. Adjust the temperature control to make sure the temperatures adjust. Adjusts the valve control from hand shower to overhead.



1. overhead shower
2. shower head
3. shower hose
4. thermostatic mixer valve
5. slide rail
6. slider
7. wall plug
8. wall bracket
9. locking screw
10. wall screw
11. wall holder
12. O-rings (3)
13. curved rail
14. washers (4)