

INSTRUCTIONS FOR USE

4-wheeled rollator

Product code: FUTURO



1. Characteristics

Four-wheeled rollator is made of carbon fiber covered in metallic paint. It has large 8" diameter wheels, height-adjustable handles finished with anatomical grips, brakes with parking clamp, seat with backrest and a handy bag. The structure is based on a crossover frame and an oval cross-section of tubes, thanks to which the resistance to axial pressure is significantly increased.

The set includes: frame with seat, front and back wheels, backrest, shopping bag.

Elements of the rollator:

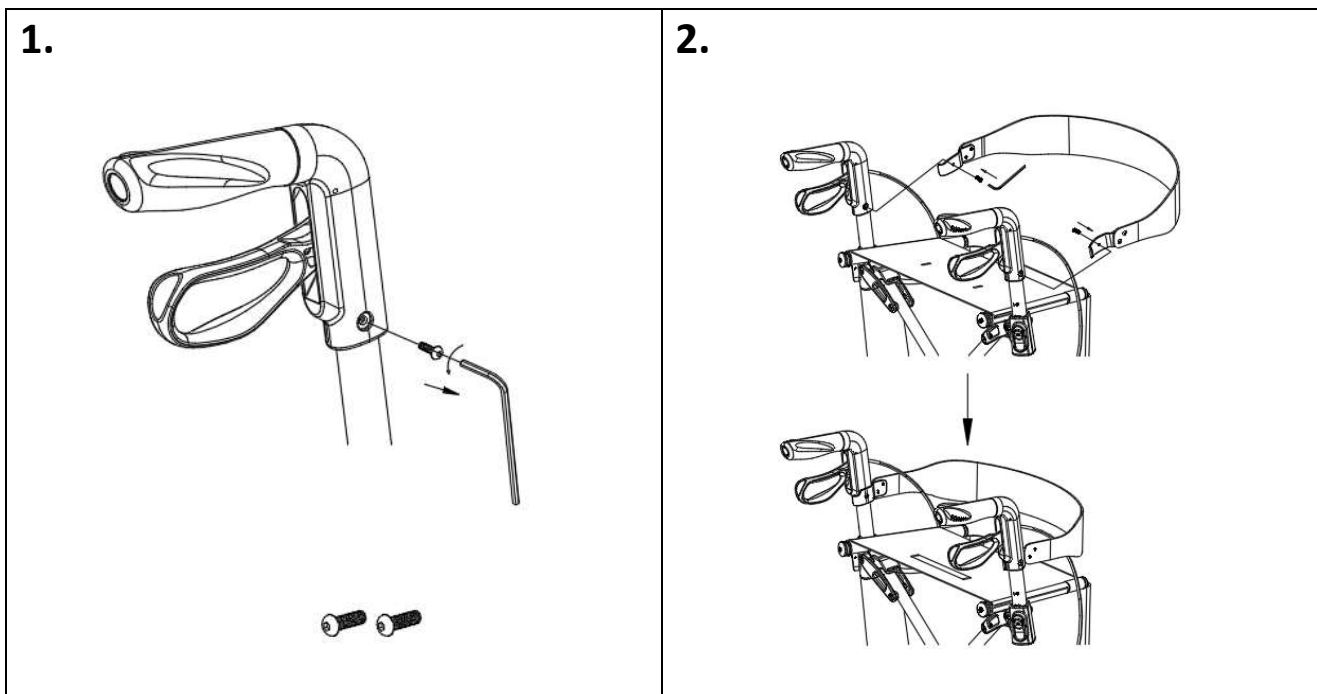


2. Application

The rollator is designed for patients with reduced mobility who need stable support and help while walking. It is also recommended to the elderly as an aid in keeping balance in order to improve walking comfort and ensuring safety from falling. The use of the walker has a positive effect on the return to activity of people with locomotion and tilting to erect position problems. It guarantees better stabilization, support and security while walking.

3. Assembling

Unfolding



- Take the elastic band off the folding lock.
- To unfold the rollator, grab both handgrips and pull them outwards.
- Press the seat down until it is fully unfolded (characteristic “click” sound)
- Unscrew the mounting screws of the handles (picture 1).
- Attach backrest to handgrips using screws (picture 2).

Folding

- To fold the rollator, pull the seat up
- Ensure that rollator is correctly folded.
- Secure folding lock with elastic band.

Handgrips height adjustment

To adjust the height of the handgrip:

- Press the brake down to activate the parking brake and immobilize the rollator.
- Press and hold the adjustment clamp.
- Adjust the height of the handles.
- Release the clamp to lock the adjusted height of the handles. Pull the handle up and down several times to check that it is locked correctly.
- Adjust the height of the second handgrip in a similar way.

NOTE! Both handgrips should be set at the same height.

Brake function

- To stop the rollator, pull the brake handle up, then hold.
- When not in motion or using the seat, lock the parking brake with the parking clamp by pulling the brake handle down.
- To release parking brake, pull the handle upward.

4. Technical data

Overall width after unfolding	62 cm
Overall width after folding	22 cm
Overall length	65 cm
Seat width	46 cm
Seat height from the ground	62 cm
Handgrip height adjustment	78-92 cm
Rollator weight	5,3 kg
Shopping bag weight	0,6 kg

Maximum capacity	150 kg
Maximum capacity of the shopping bag	5 kg
Frame colour	red

5. Notes

Timago International Group does not bear responsibility of improper use of the rollator, failure to comply safety regulations and misuse.

6. Maintenance

- Clean the frame with damp cloth and dry thoroughly.
- Do not use strong polishing agents due to the damage of protecting coatings.
- Clean the dirt from moving parts of the rollator regularly (hinges, clamping screws, locks).





7. Storage and transport conditions


Device should not be exposed to direct sunlight, water or moisture.

8. Warranty information

All products distributed by our company are covered by a warranty, the terms of which are described in the warranty card available on our website. Please contact the retailer from whom you purchased the product. Please, keep in mind that for warranty purposes, the proof of purchase (receipt or invoice) should be retained.

9. Labels

	Reference number		Manufacturer
	LOT number		Manufacture date

	Serial number		Medical device
	Note		Please read the instruction
	The manufacturer checked for compliance with essential medical devices requirements.		

Our complete line of products is available from our distributors.
 Learn more at: **www.timago.com**.
 Thank you for choosing Timago!