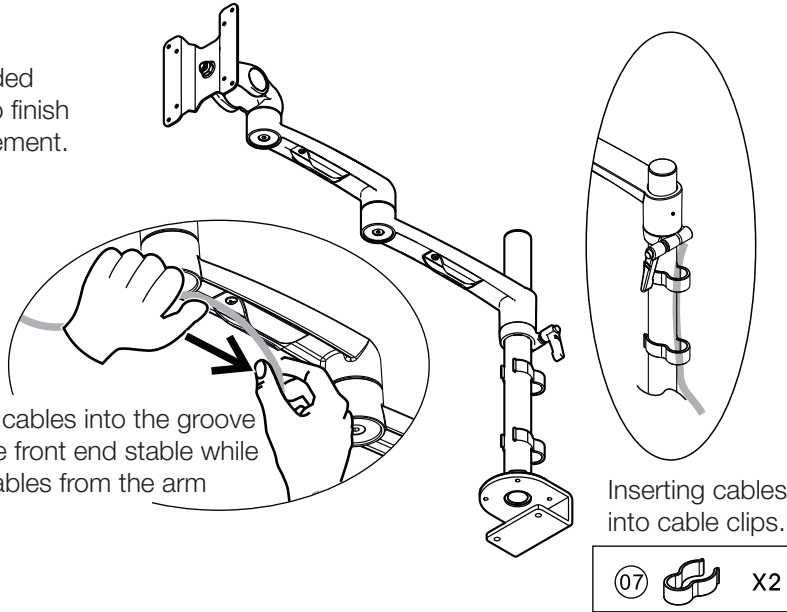


# Assembly Guide

## Step 4

Use the included cable cover to finish cable management.



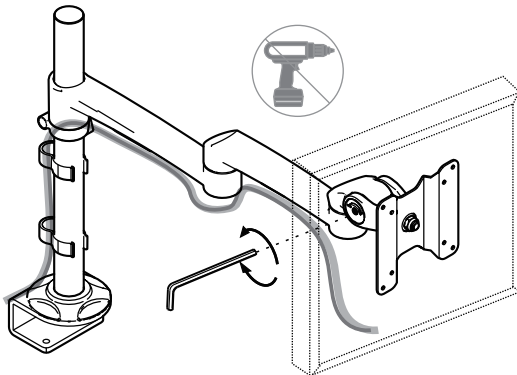
Insert thicker cables into the groove first. Keep the front end stable while routing the cables from the arm to the pole.

Inserting cables into cable clips.

07 X2

## Step 5

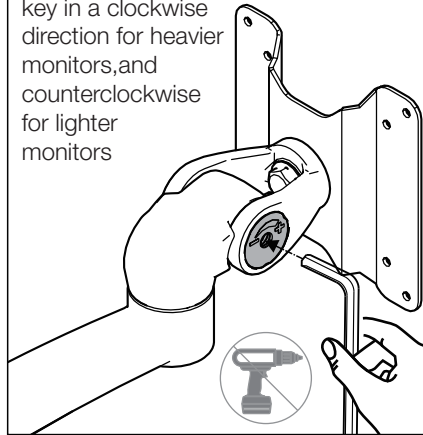
When the joint is loose, please use the Allen Key (5mm) to tighten the arm.



- Weight capacity for ~14kg monitors.

### Adjustment:

Use the Allen key provided to adjust the tension to correspond to the weight of the monitor. Twist the Allen key in a clockwise direction for heavier monitors, and counterclockwise for lighter monitors



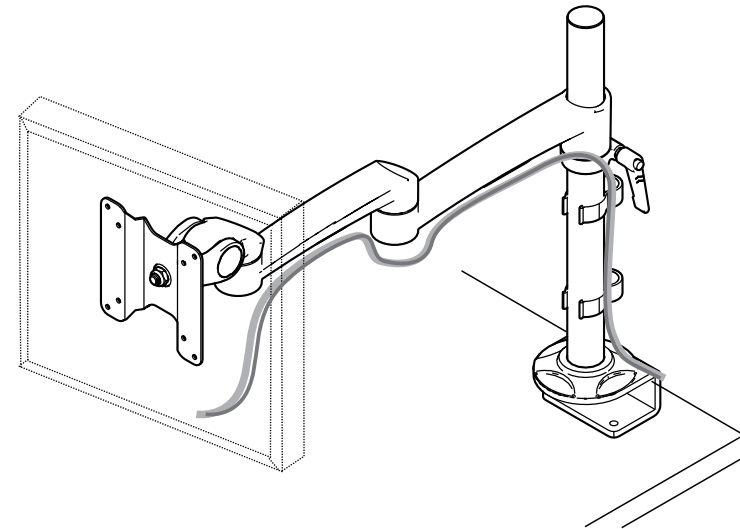
### Caution:

- There are many components used in the construction of this unit.
- These loose items should be kept away from young children while assembling your unit.
- Please consult authorized service personnel for the installation of this unit.

# User manual

Monitor Arm OSLO

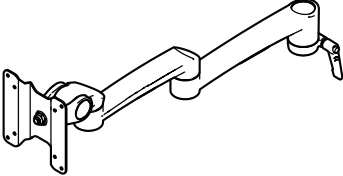
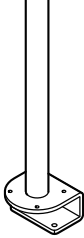







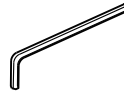

438-LC15  
438-LC15B  
438-LC15W



# Assembly Guide

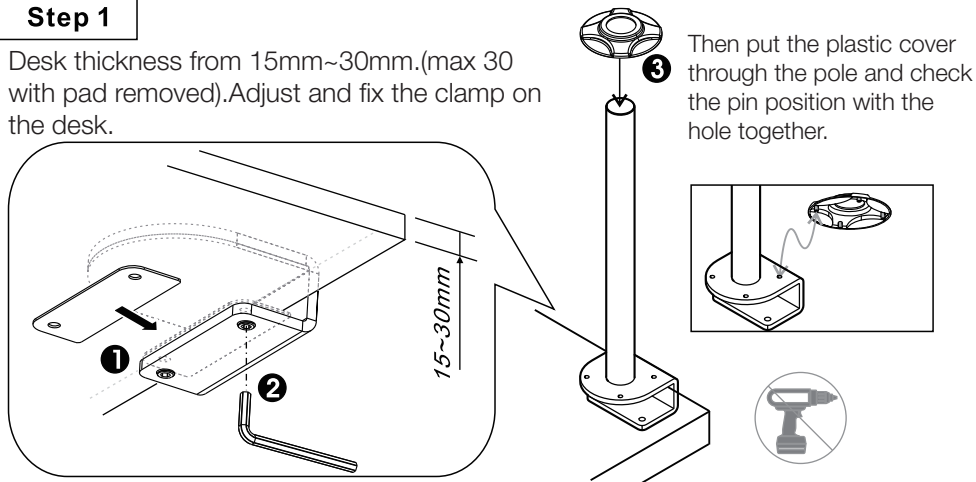
Before assembly, please spend some time reading this manual and follow the procedures step by step. Do not discard any of the packaging until you have checked all the parts and the package of fittings.  
If you are missing any of the parts, please contact the seller from which you purchased your products. The staff will do their best to help you.

## Check-List

<p>①  X1</p>	<p>②  X1</p>
<p>③  X1</p>	<p>⑧  (2mm) X1</p>
<p>④  X4</p>	<p>⑨  (M8X15) X2</p>
<p>⑤  (4mm) X1</p>	<p>⑩  (M8X30) X2</p>
<p>⑥  X1</p>	<p>⑪  (5mm) X1</p>
<p>⑦  X2</p>	

### Step 1

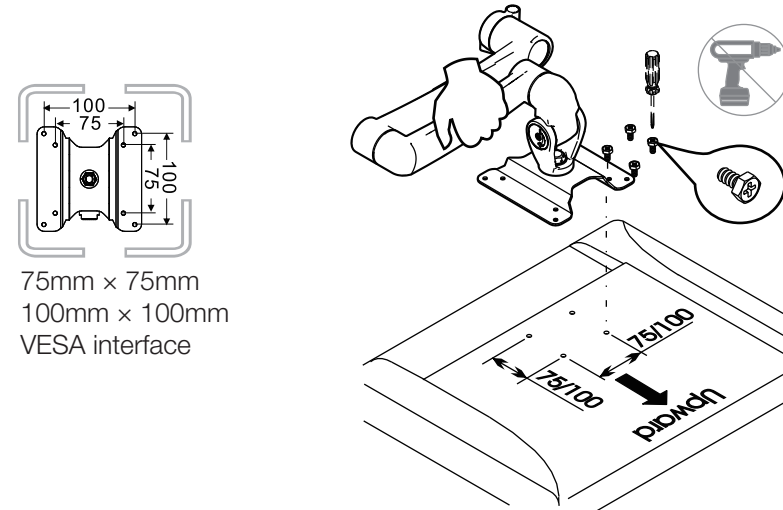
Desk thickness from 15mm~30mm.(max 30 with pad removed).Adjust and fix the clamp on the desk.



# Assembly Guide

### Step 2

Place monitor facing downward on flat surface. Place arm and VESA mount on the monitor back as figure and align to the screw holes. Secure them together with four screws. Then tighten them up with screwdriver (not provided).



### Step 3

Insert the arm with the fixed monitor onto the pole. Adjust to desired height using the black plastic lever. To make the first arm completely rigid, use Allen key **⑧** until the screw grips the pole **②**. Using Allen key **⑤**, tighten the remaining joints to achieve the same result.

