

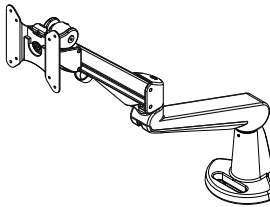
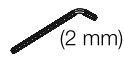

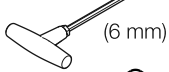






Note:
For assembly, use only prescribed tools

Monitor arm STOCKHOLM 8-14 kg

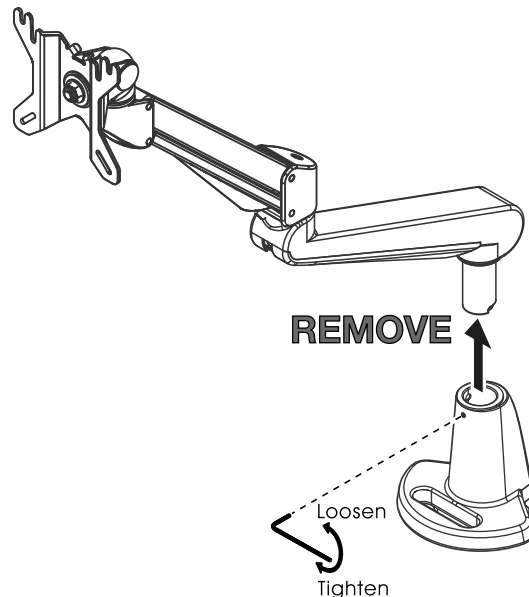
Follow instructions, and if there are steps that are incomprehensible, please let us know and we will get back to you.

Part Check-List

<p>①  x1</p> <p>②  x1</p> <p>③  x1</p>	<p>④  x1</p> <p>⑤  x1</p> <p>⑥  x4</p> <p>⑦  x1</p> <p>⑧  x1</p>
---	---

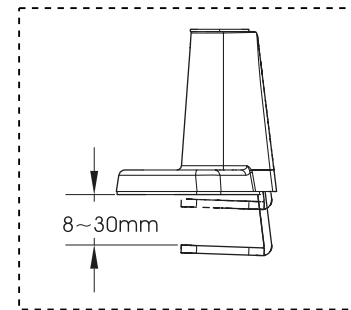
STEP 1

Use the 2 mm Allen key ② to loosen the screw that is keeping the arms of the monitor arm ① in the clamp and remove it as seen in the illustration. Put the arm and hexagon cup point screw aside somewhere close and safe as it will be re-inserted for **STEP 3**.

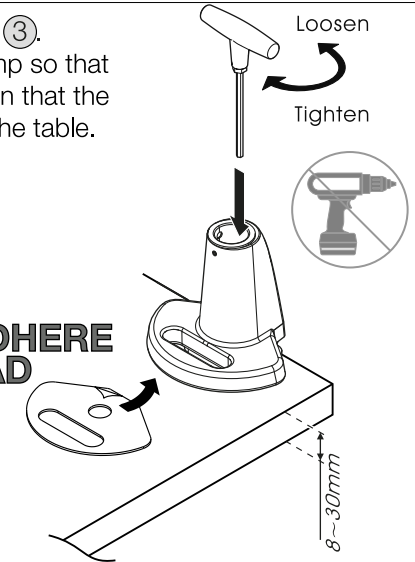


STEP 2

Turn grommet upside down and adhere the Pad ③. Use Allen Key ④ to adjust the height of the clamp so that it fits your table. Tighten until sturdy and ascertain that the clamp can not be moved from its position from the table.



ADHERE PAD

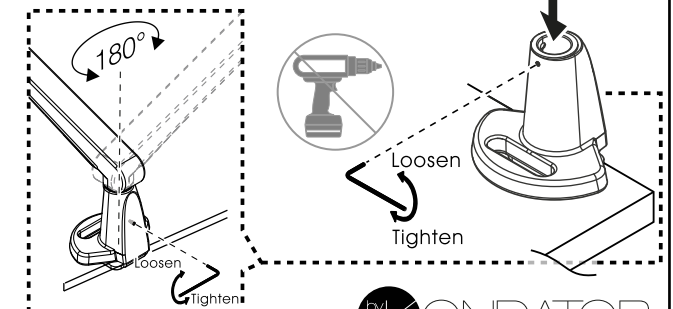


STEP 3

Insert the removed arms into the clamp and fasten the hexagon cup point screw with the Allen key ②. Adjust the tension of the rotation to your need.

To keep the arms completely rigid, fasten the small cup point socket screws as tight as possible while maintaining the intended position.

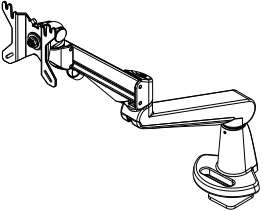






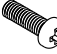
Optional: Fasten the screw with the Allen key ② if you desire to limit the rotational movements to 180°.



Monitor arm STOCKHOLM 8-14 kg

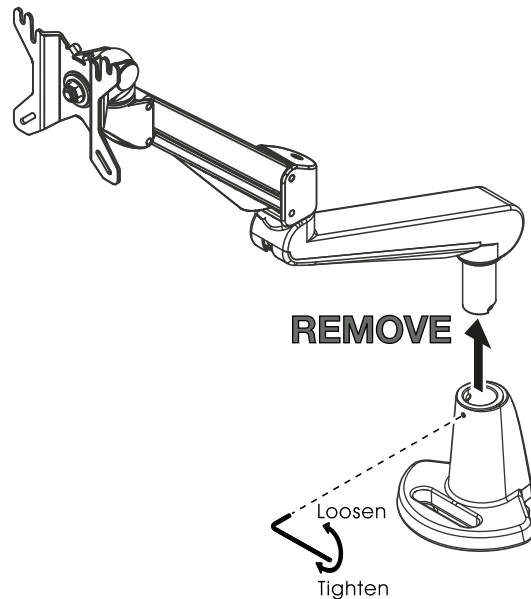
Follow instructions, and if there are steps that are incomprehensible, please let us know and we will get back to you.

Part Check-List

①		x1	④		x1
②		x1	⑤		x1
③		x1	6A		x4
			⑦		x4
			6B		x4

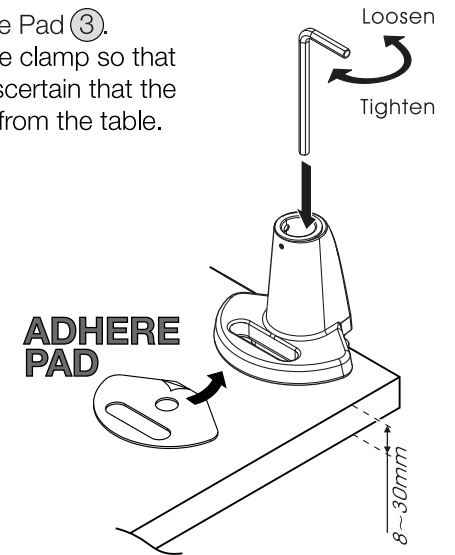
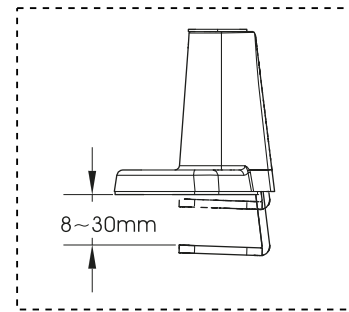
STEP 1

Use the 2 mm Allen key ② to loosen the screw that is keeping the arms of the monitor arm ① in the clamp and remove it as seen in the illustration. Put the arm and hexagon cup point screw aside somewhere close and safe as it will be re-inserted for **STEP 3**.



STEP 2

Turn grommet upside down and adhere the Pad ③. Use Allen Key ④ to adjust the height of the clamp so that it fits your table. Tighten until sturdy and ascertain that the clamp can not be moved from its position from the table.



STEP 3

Insert the removed arms into the clamp and fasten the hexagon cup point screw with the Allen key ②. Adjust the tension of the rotation to your need.

To keep the arms completely rigid, fasten the small cup point socket screws as tight as possible while maintaining the intended position.

Optional: Fasten the screw with the Allen key ② if you desire to limit the rotational movements to 180°.

