

Silver Wings  
Wojciech Kułakowski  
30-680 Kraków  
ul. Serbska 2/15  
Poland  
www.silverwings.pl  
silverwings@silverwings.pl



High quality resin model kit  
**SUPERMARINE**  
**SOUTHAMPTON Mk. I**  
Kat. No 72-001



### SUPERMARINE SOUTHAMPTON Mk. I

Its first flight took place in 1925. It was military version a civil flying boat "Swan" and replaced "Felixtowe" flying boats. "Mark I" with wooden hull was soon replaced by Mark II" with a hull made of duraluminium. The aircraft was powered with two "Napier Lion" engines and was manned by a crew of five. Altogether 24 "Mark I" and 42 "Mark II" planes were built. They were in use up to 1937.

Technical data:

Length: 15,58 m

Span: 22,86 m

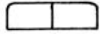
Power plant: two Napier Lion 374 kW

Armament: 3 M.G. 7,7 mm + 499 kg of bomb load

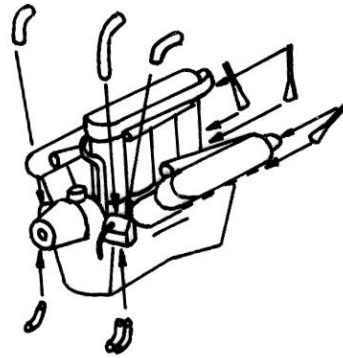
Max speed: 174 km/h

Range: 1500 km

Windscreen



1:72  
Scale



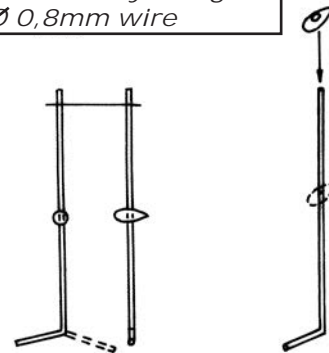
Scraff  
ring



Black  
leather

Matt  
black

Prepare main undercarriage  
on your own by using  
 $\varnothing 0,8\text{mm}$  wire



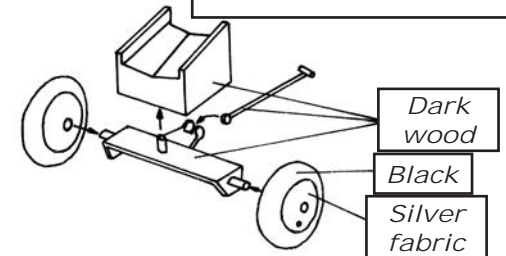
1:72  
Scale

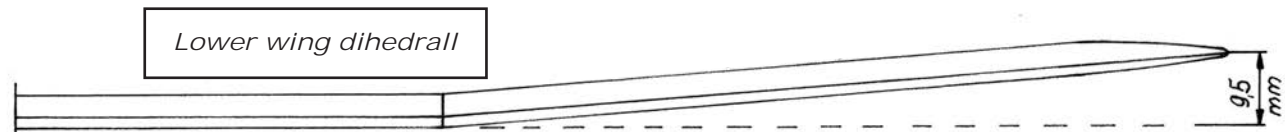
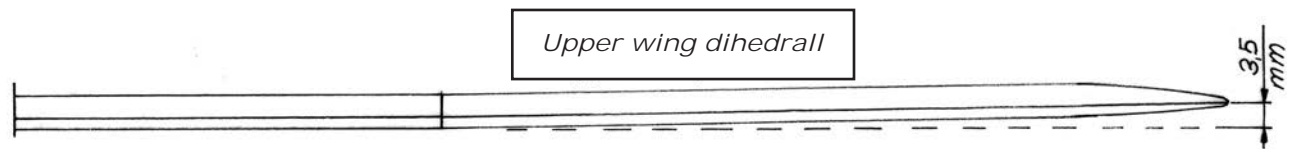
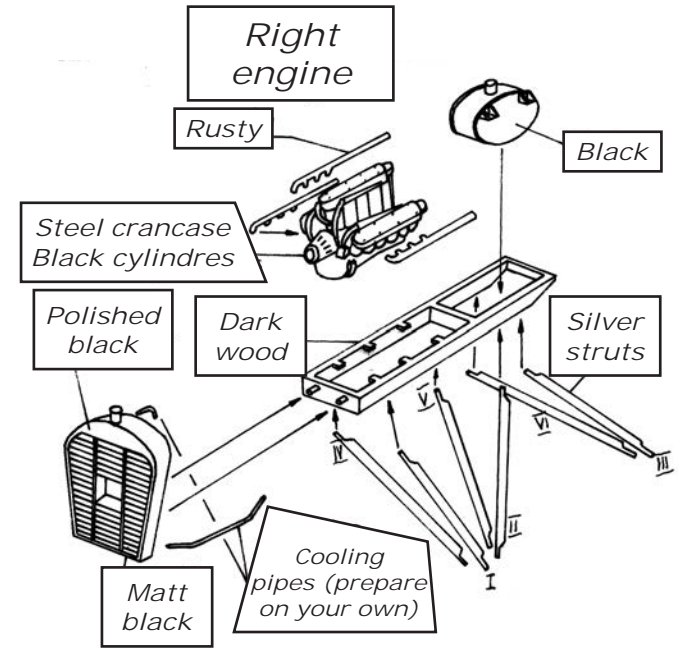
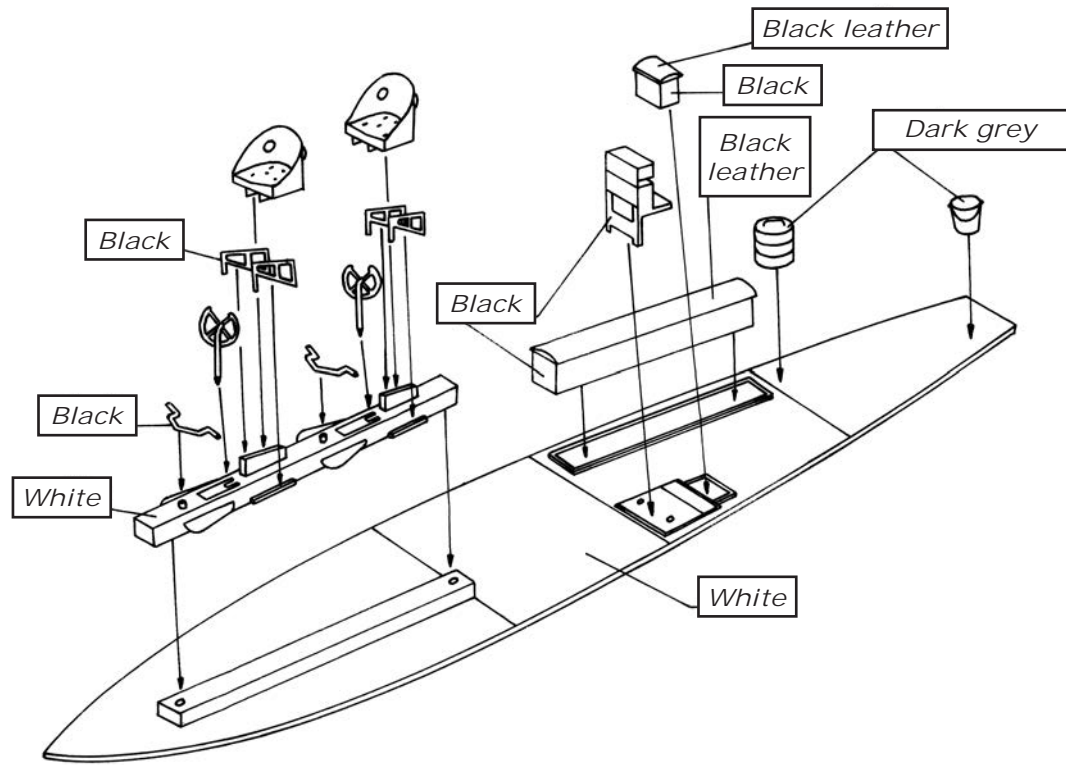
Steering wheel  
black

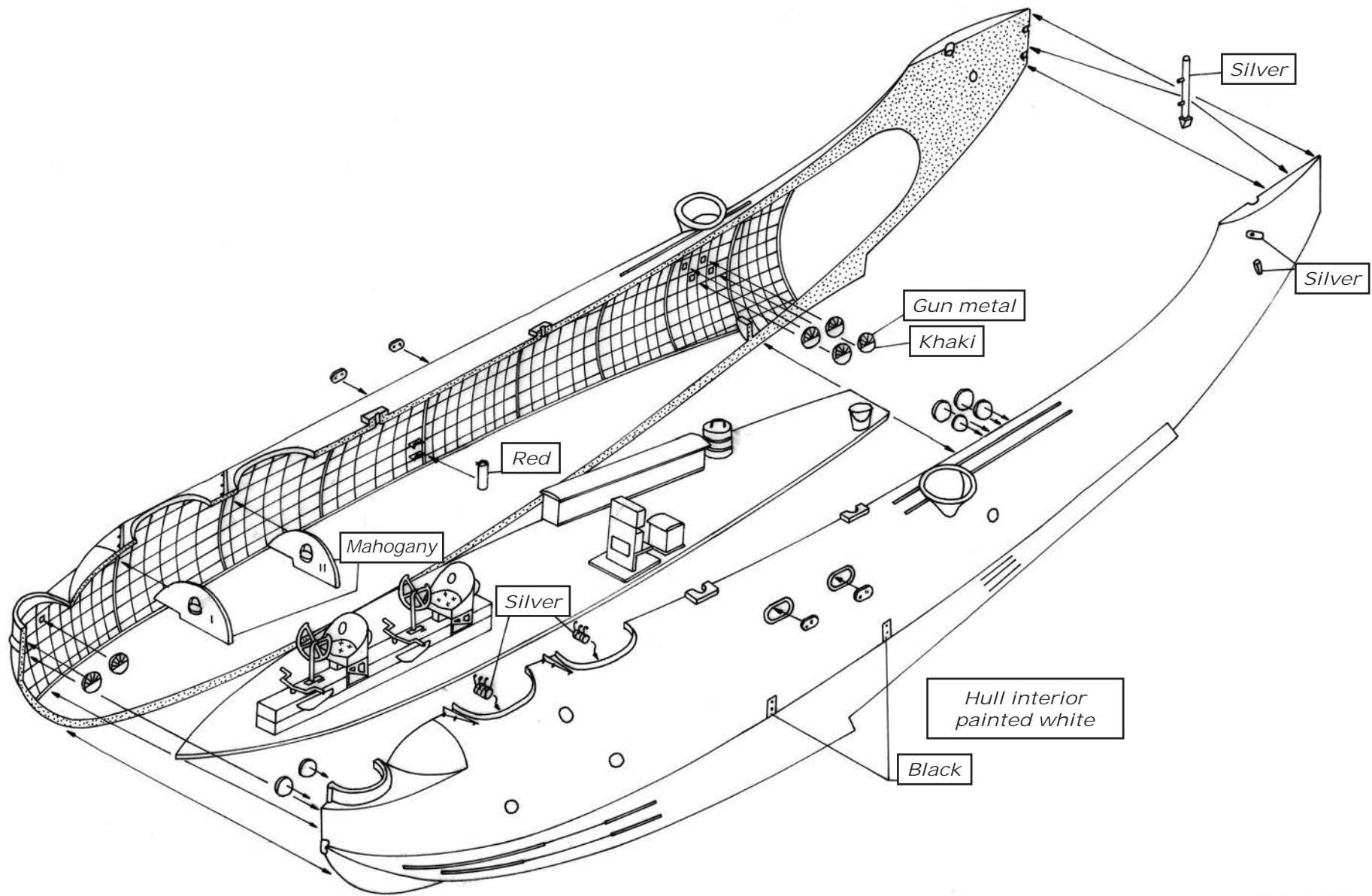


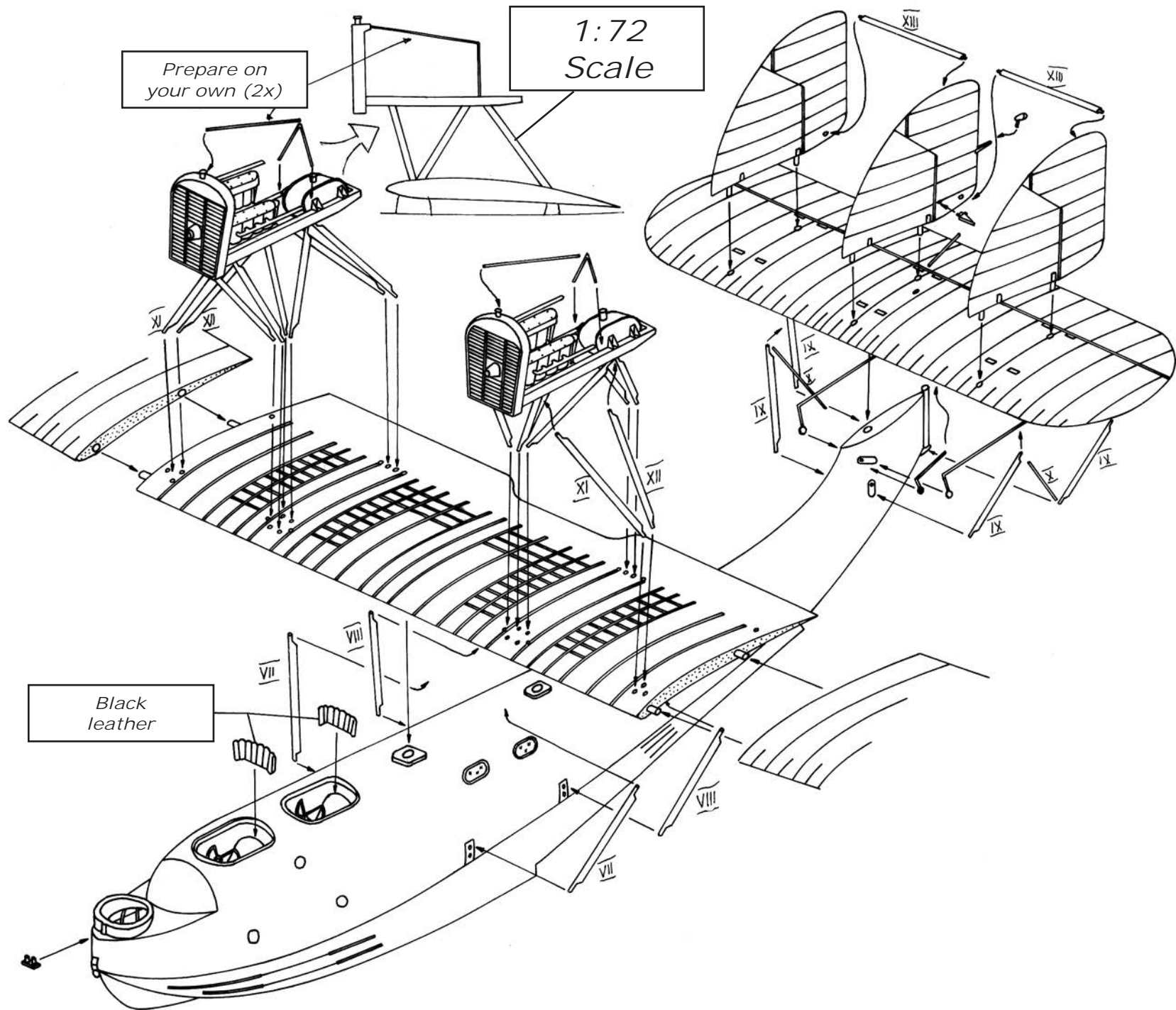
Black

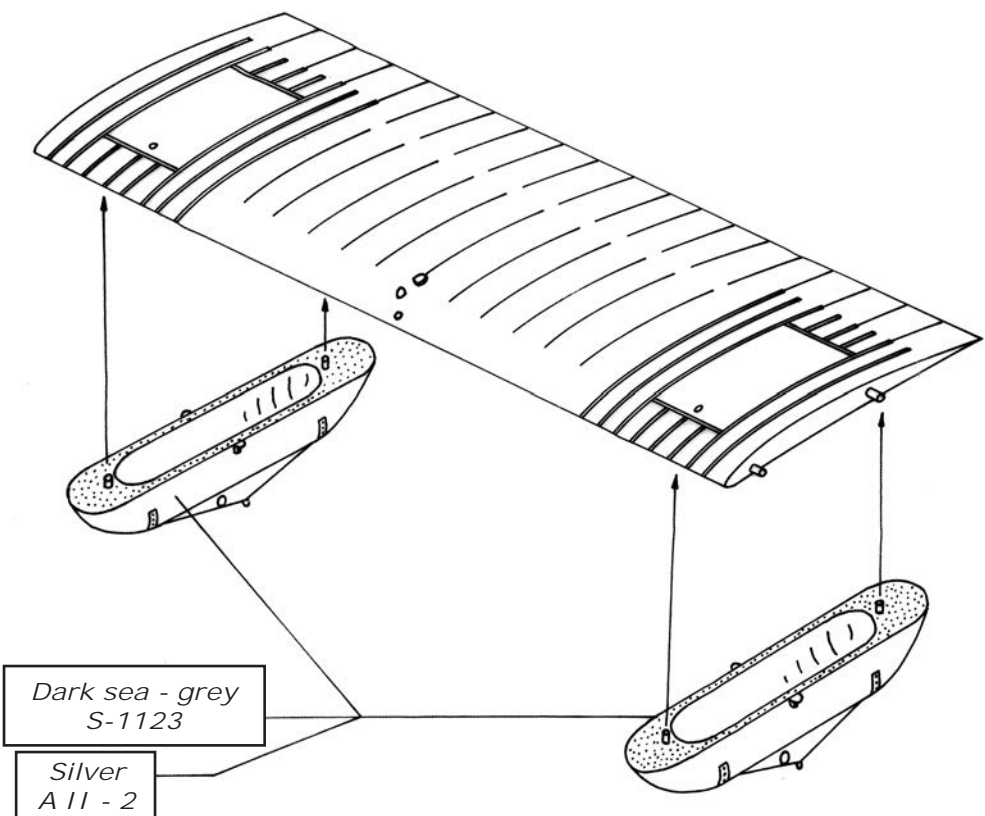
Transport trolley





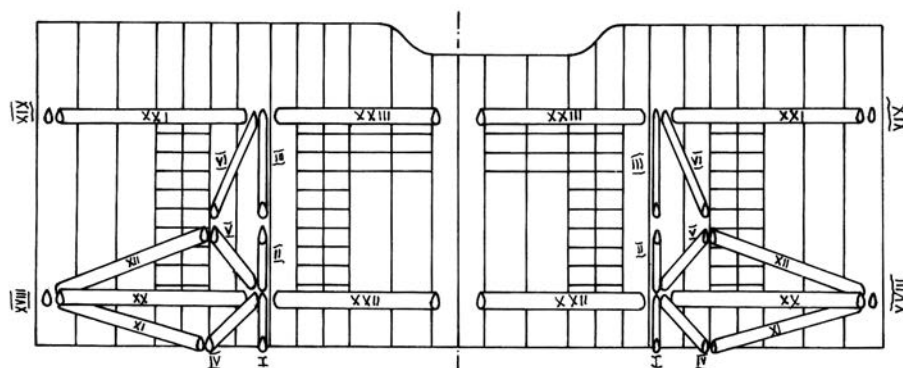


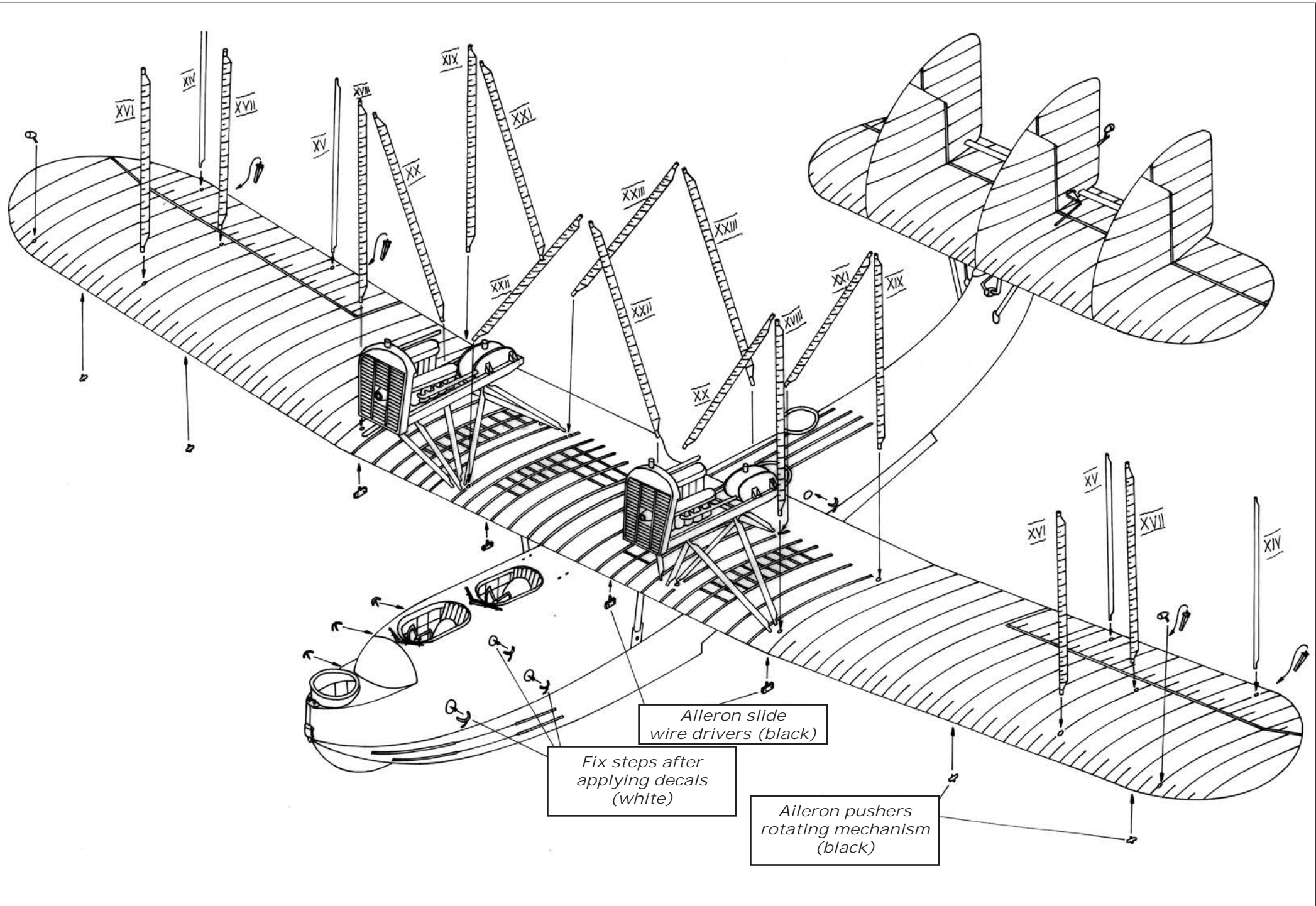


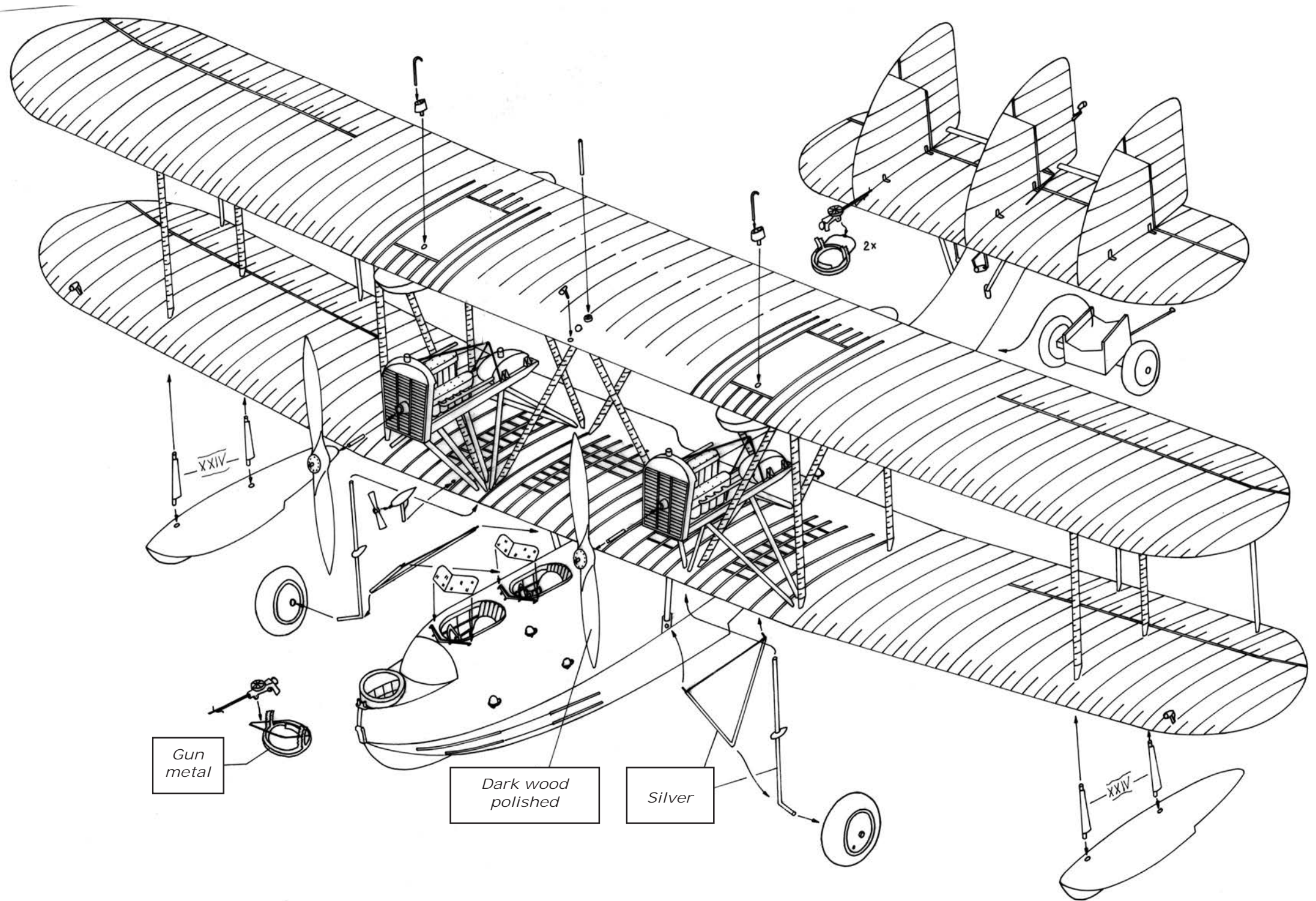


| UWAGA   | NOTICE   |
|---|--|
| 1. Wszystkie odkształcone części można przywrócić do pierwotnego kształtu po uprzednim zanurzeniu ich we wrzącej wodzie.<br>2. Do montażu używać klejów cyjanoakrylowych. | 1. All deformed parts should be easy reshaped after dipping them for a few seconds into a boiling water.<br>2. Use cyanoacrylate glue. |

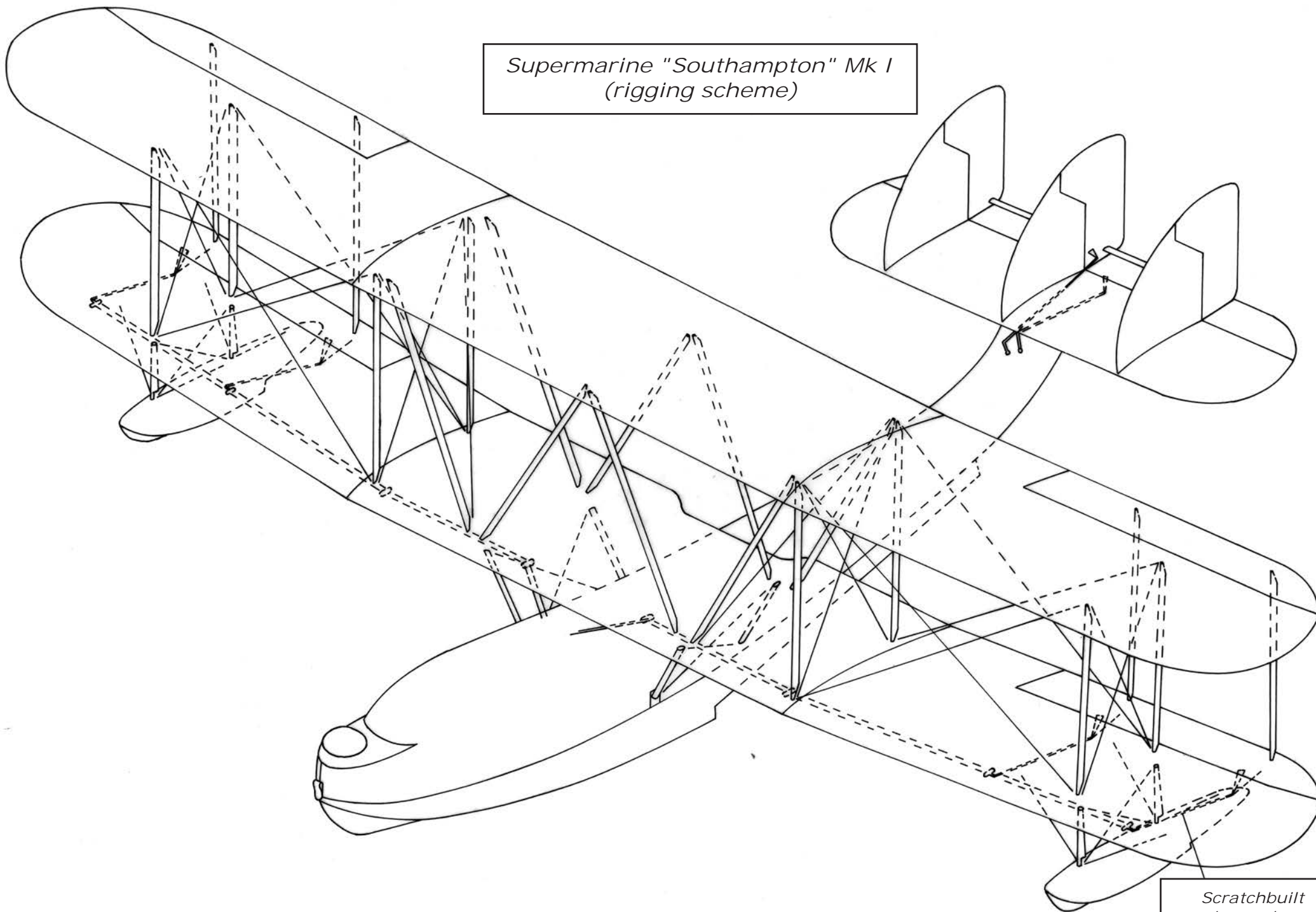
*Centreplane of the lower wing  
(shown engines supporting struts)  
1:72 scale*







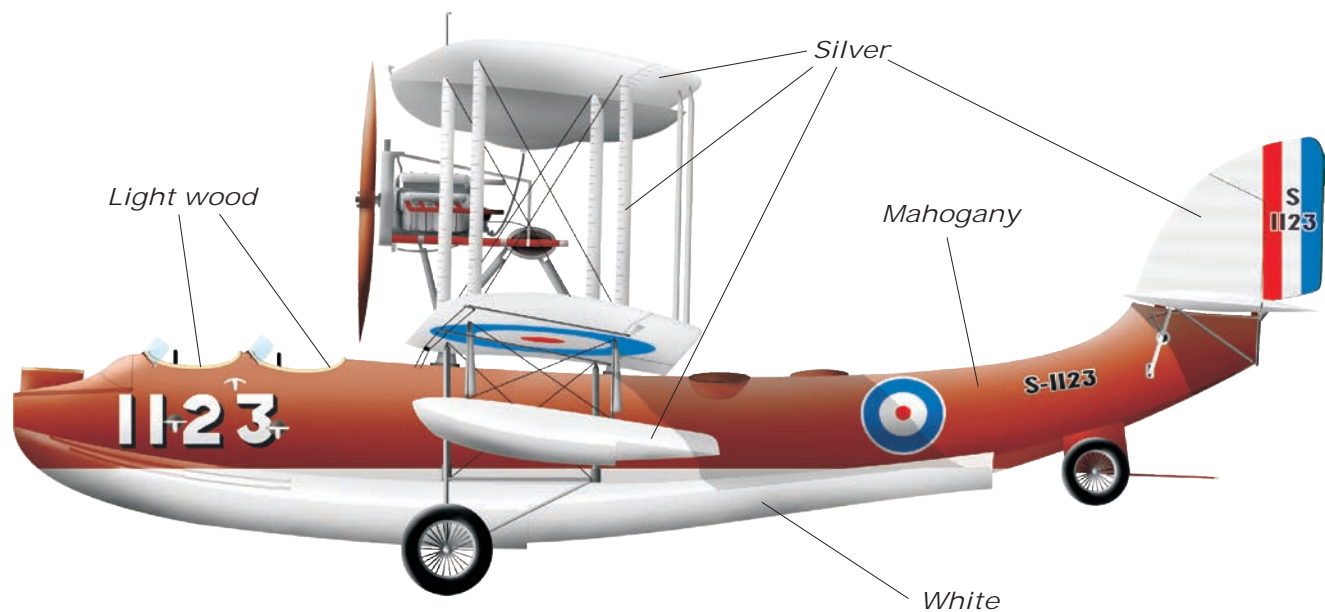
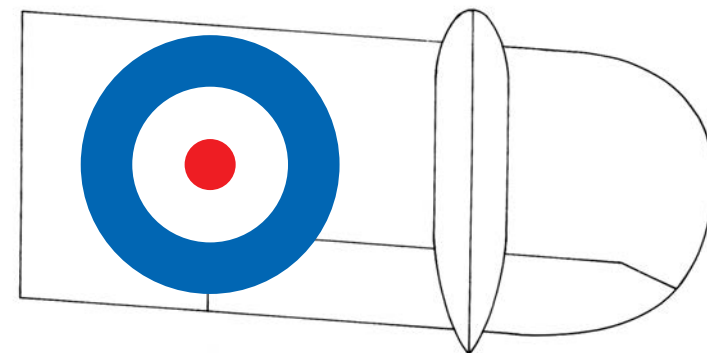
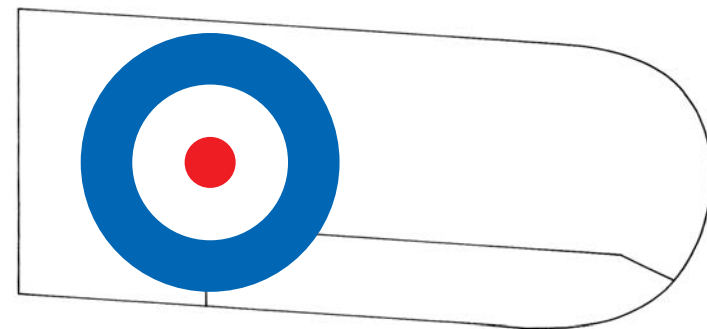
*Supermarine "Southampton" Mk I  
(rigging scheme)*



*Scratchbuilt  
wire pushers*



*Royal Australian Air Force No 1 Training School*



*RAF 205 Squadron*



*Silver Wings  
 Wojciech Kułakowski  
 30-680 Kraków  
 ul. Serbska 2/15  
 Poland  
 www.silverwings.pl  
 silverwings@silverwings.pl*