

Silver Wings
Wojciech Kułakowski
30-680 Kraków
ul. Serbska 2/15
Poland
www.silverwings.pl
silverwings@silverwings.pl



High quality resin model kit

Hawker Hart
Cat. No. 32-007



Hawker Hart

The **Hawker Hart** was a British two-seater biplane light bomber of the Royal Air Force, which had a prominent role during the RAF's inter-war period.

The **Hart** was designed during the 1920s by Sydney Camm and built by Hawker Aircraft.

The **Hart** entered service with *No. 33 Squadron* RAF in February 1930, replacing the larger and slower *Hawker Horsley*. *No. 12 Squadron* replaced its *Foxes* with **Harts** in January 1931, with a further two British-based **Hart** light bomber squadrons forming during 1931. **Harts** were deployed to the Middle East during the Abyssinia Crisis of 1935–1936. The **Hart** saw extensive and successful service on the North-West Frontier, British India during the inter-war period. Four **Hawker Harts** from the Swedish Air Force saw action as dive bombers during the 1939-1940 Winter War as part of a Swedish volunteer squadron, designated F19, fighting on the Finnish side. Though obsolete compared to the United Kingdom's opposition at the start of the Second World War, the **Hart** continued in service, mainly performing in the communications and training roles until being declared obsolete in 1943. The **Hart** proved to be a successful export, seeing service with the Royal Egyptian Air Force, Royal Indian Air Force, South African Air Force, Estonian Air Force, Southern Rhodesia, Sweden (where it was designated B4) and Kingdom of Yugoslavia.

TECHNICAL DATA

Length - 8,94 m , **Wingspan** - 11,36 m , **Height** - 3,18 m , **Wing area** - 32,50 m² , **Empty weight** - 1150 kg,

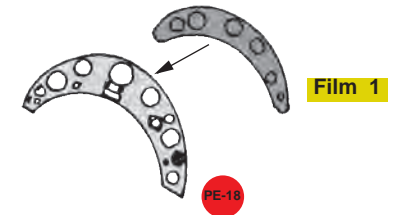
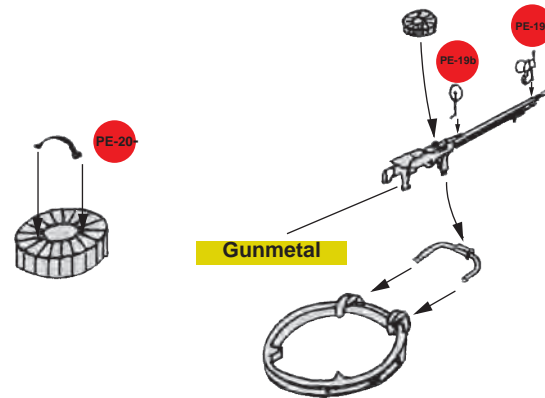
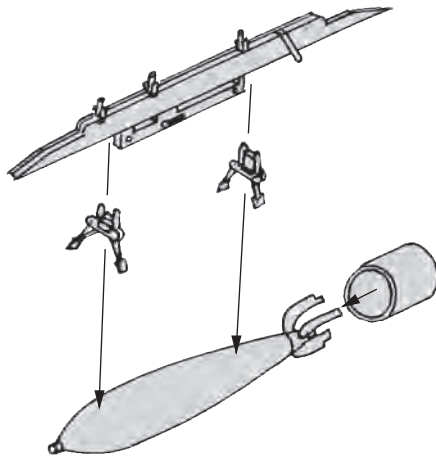
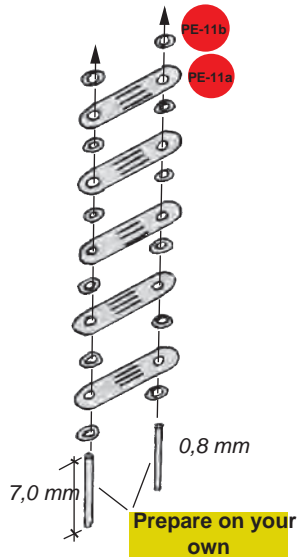
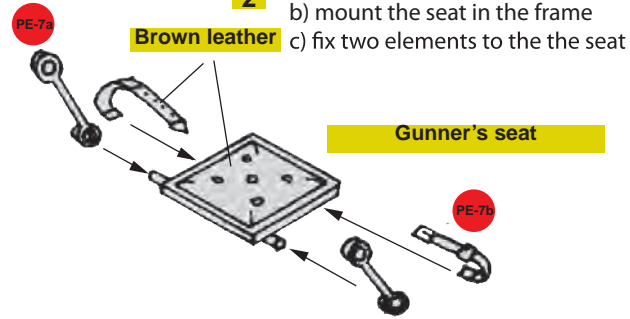
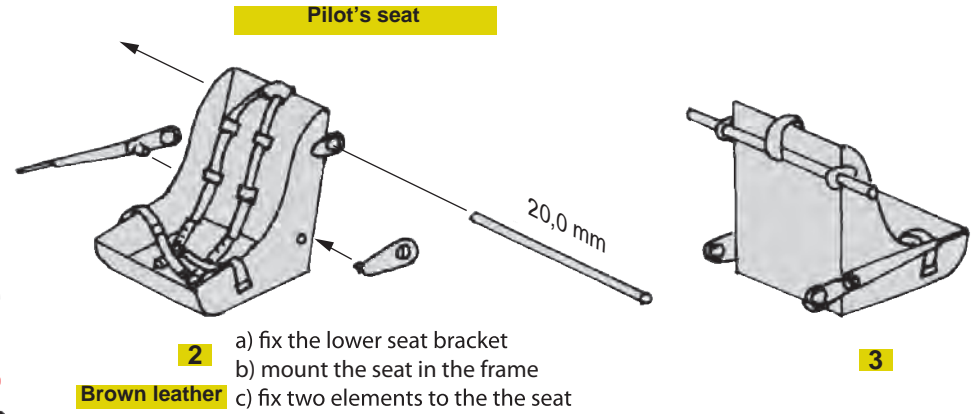
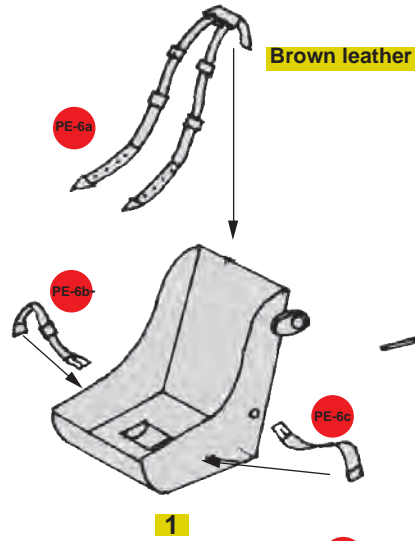
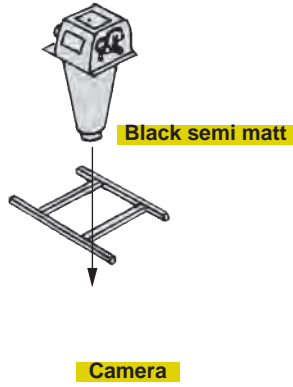
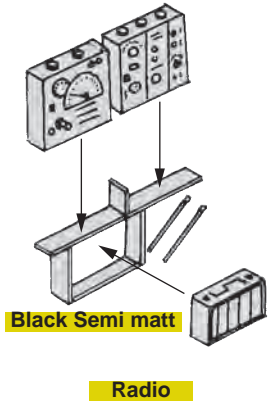
Max takeoff weight - 2089 kg

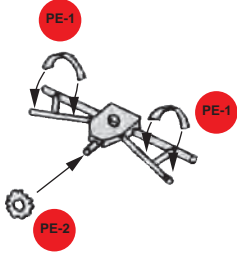
Power plant - Rolls-Royce Kestrel IB water-cooled V12 engine, 510 hp

Max speed - 298 km/h , **Range** - 692 km , **Service ceiling** - 10000 m

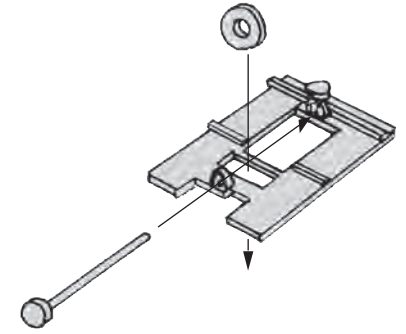
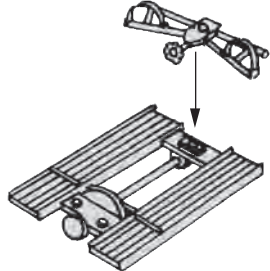
Armament - 1 synchronised forward firing 7,7 mm Vickers machine gun in fuselage sides, 1x 7,7 mm Lewis gun in rear cockpit

Bombs - up to 227 kg bombs under wings

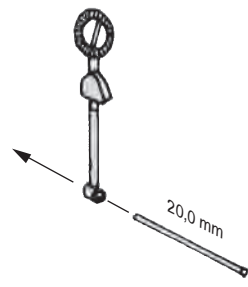




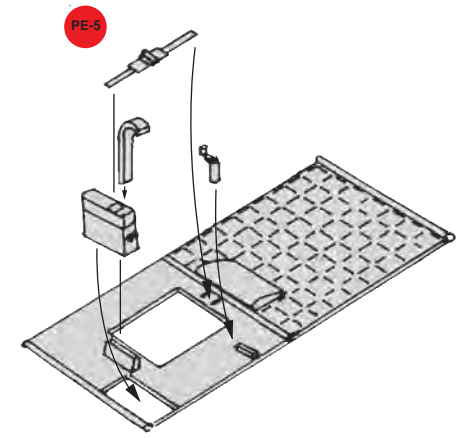
Rudder bar



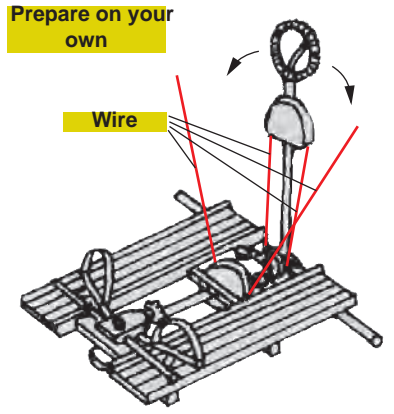
Cockpit floor (bottom view)



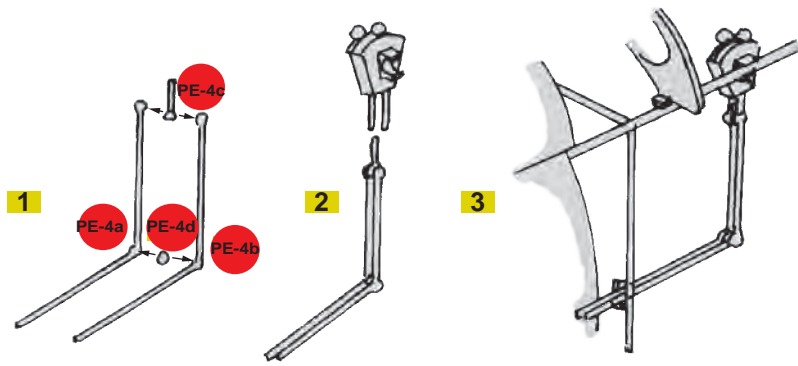
Control stick



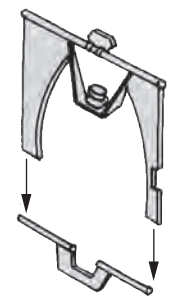
Floor elements



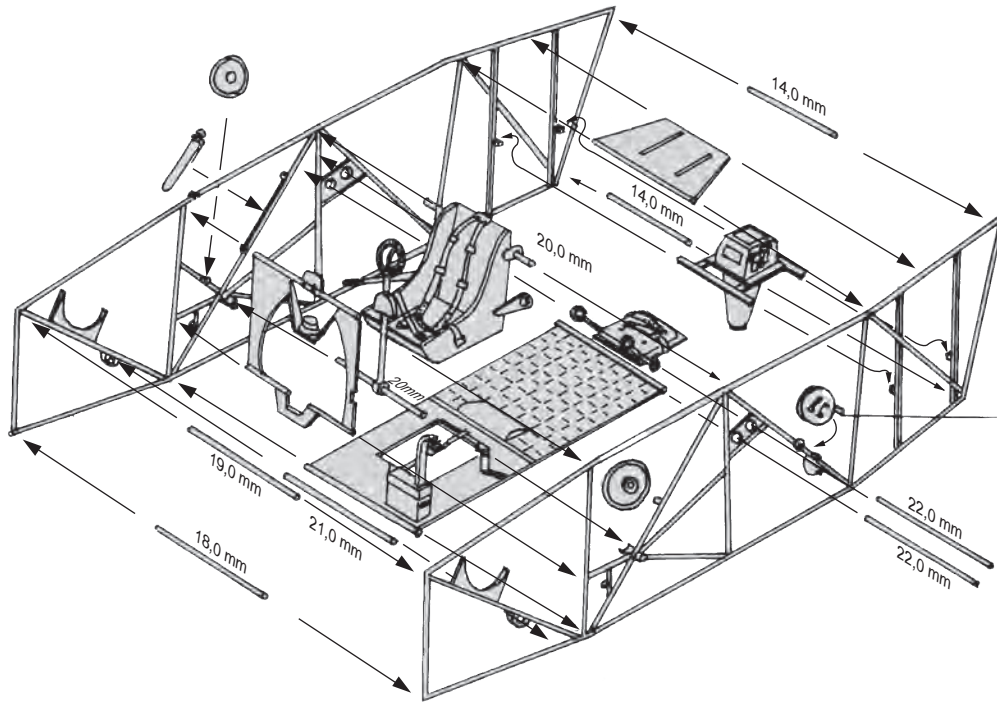
Aileron control



Engine control



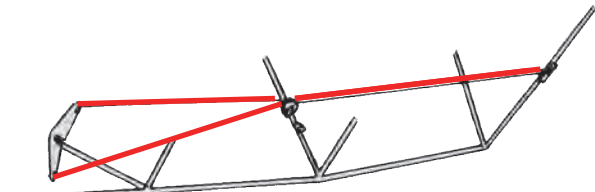
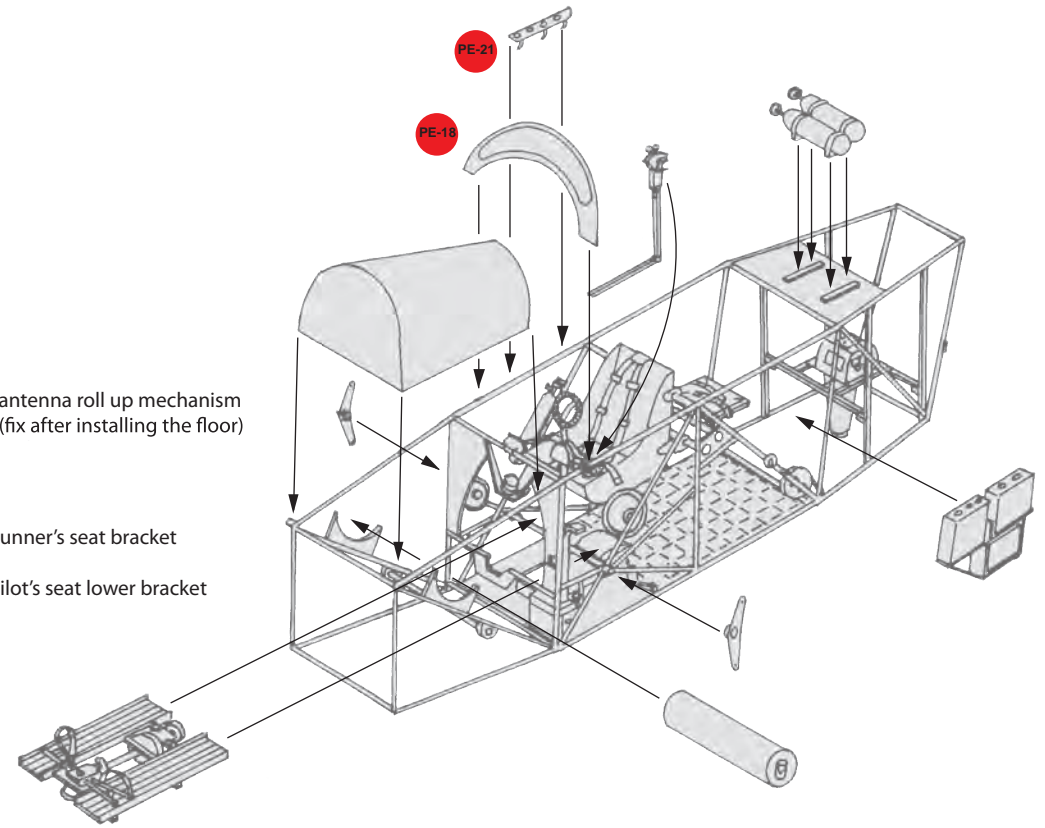
Frame with compass



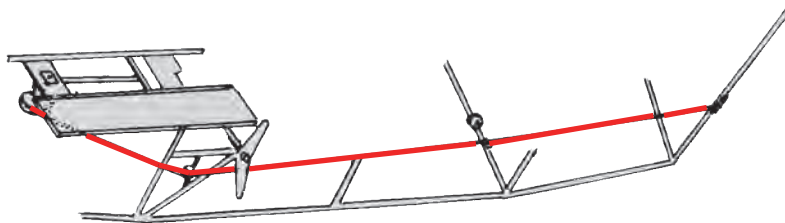
antenna roll up mechanism
(fix after installing the floor)

gunner's seat bracket

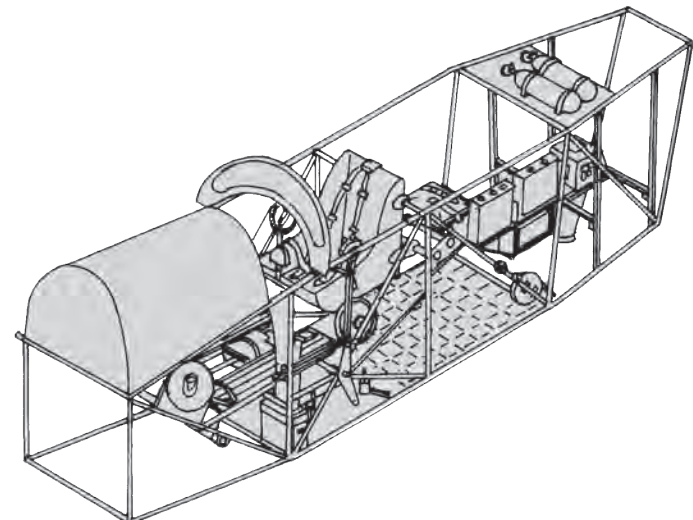
pilot's seat lower bracket

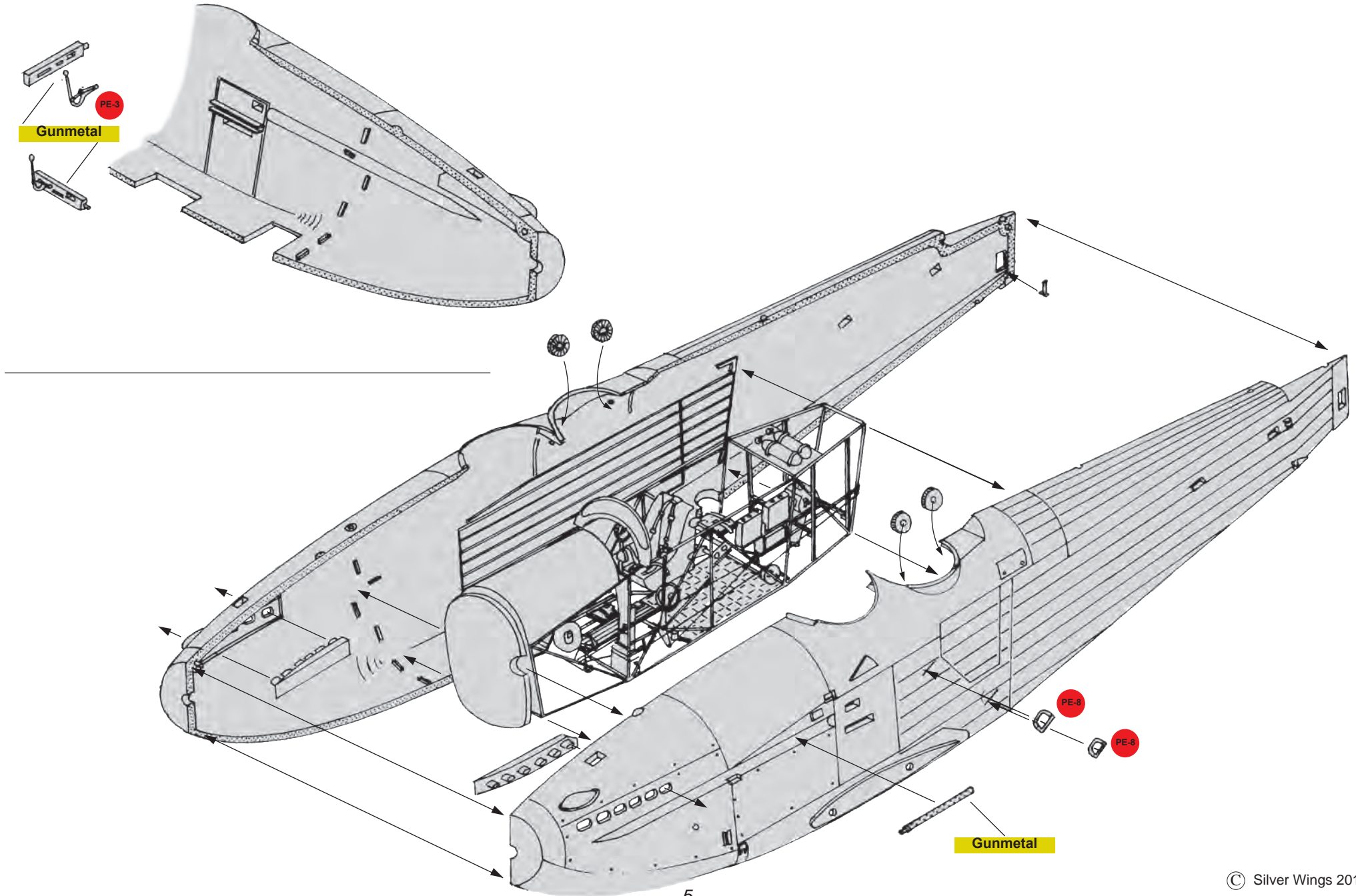


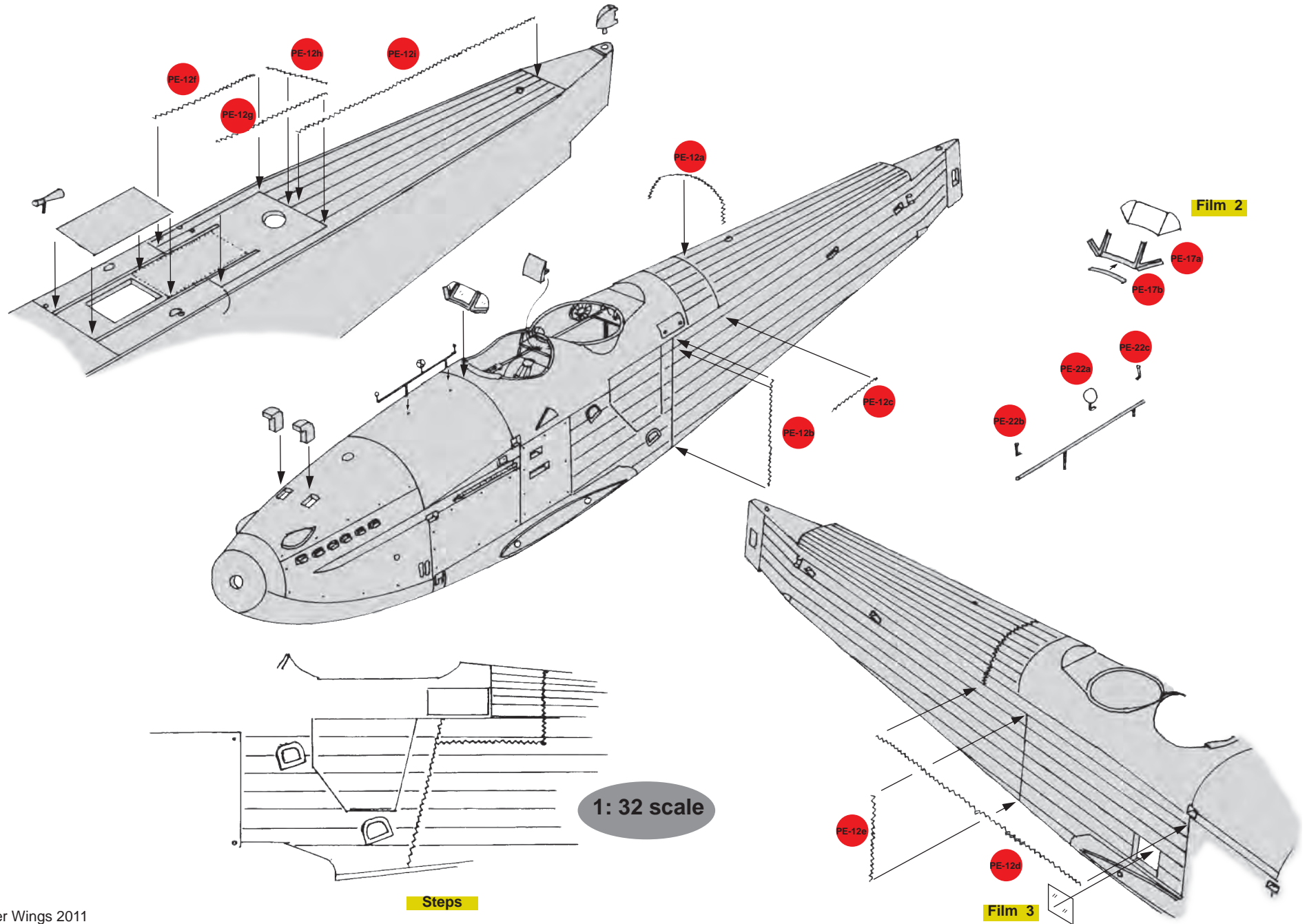
elevator transmission scheme
(on the frame)

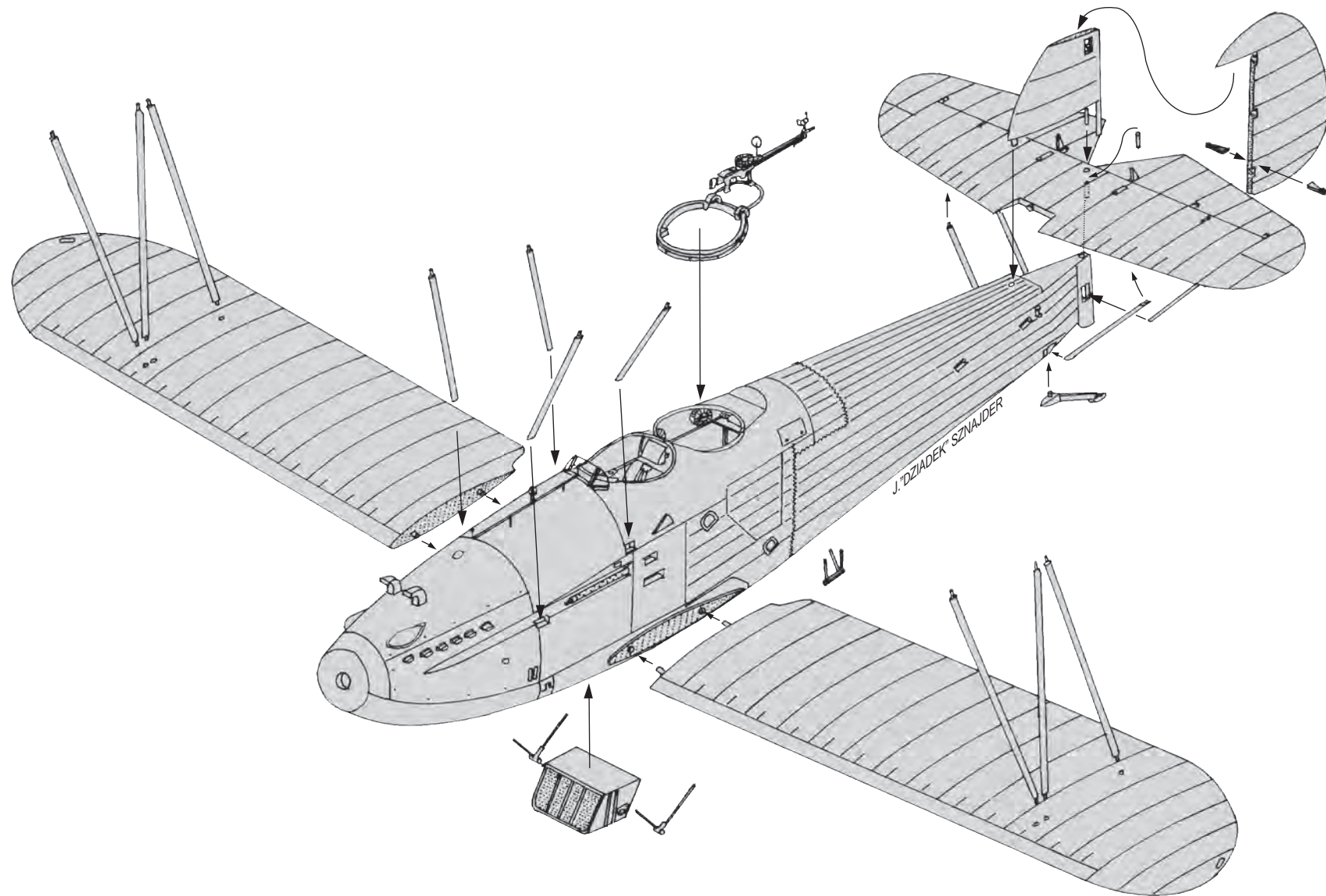


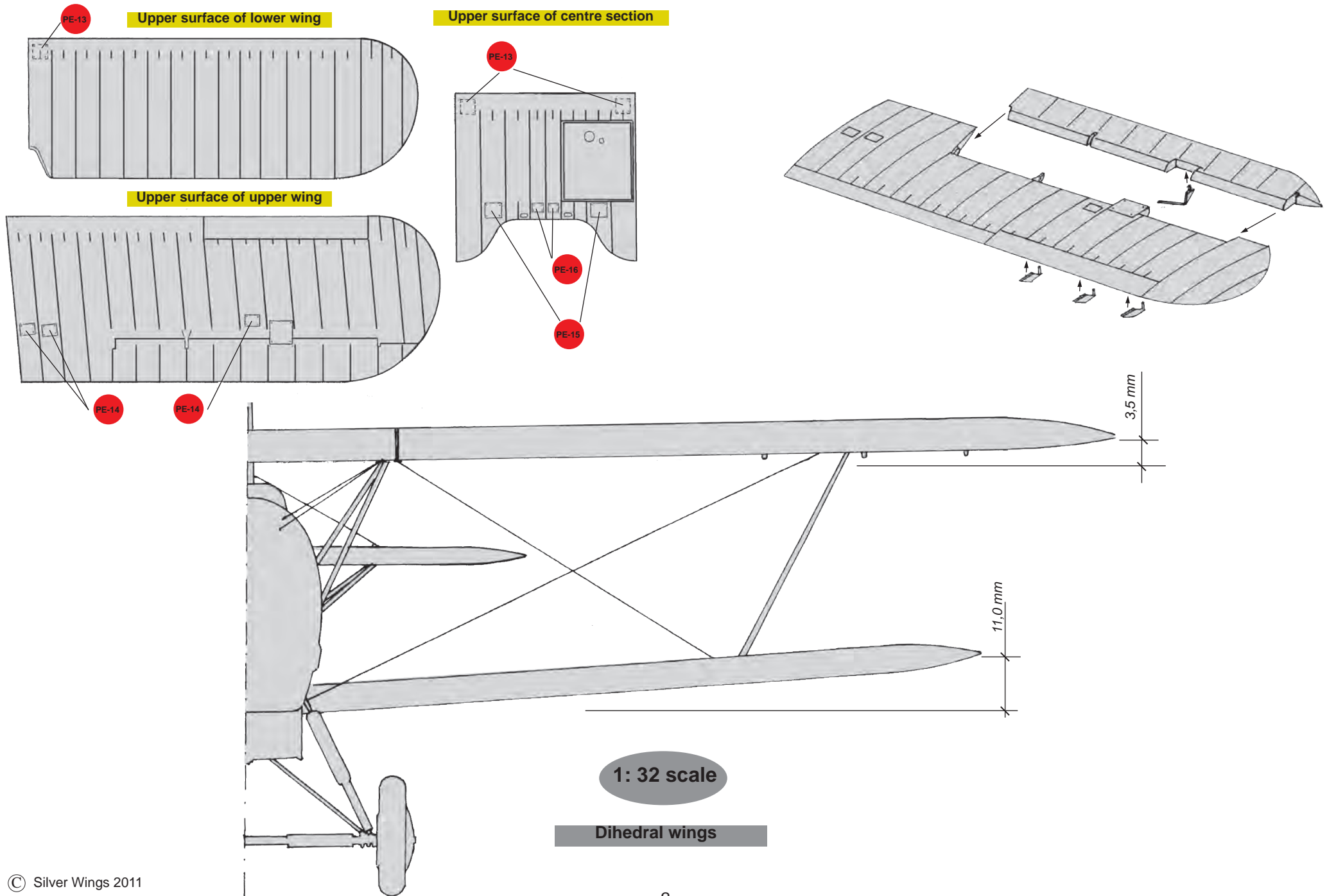
rudder transmission scheme
(on the frame)





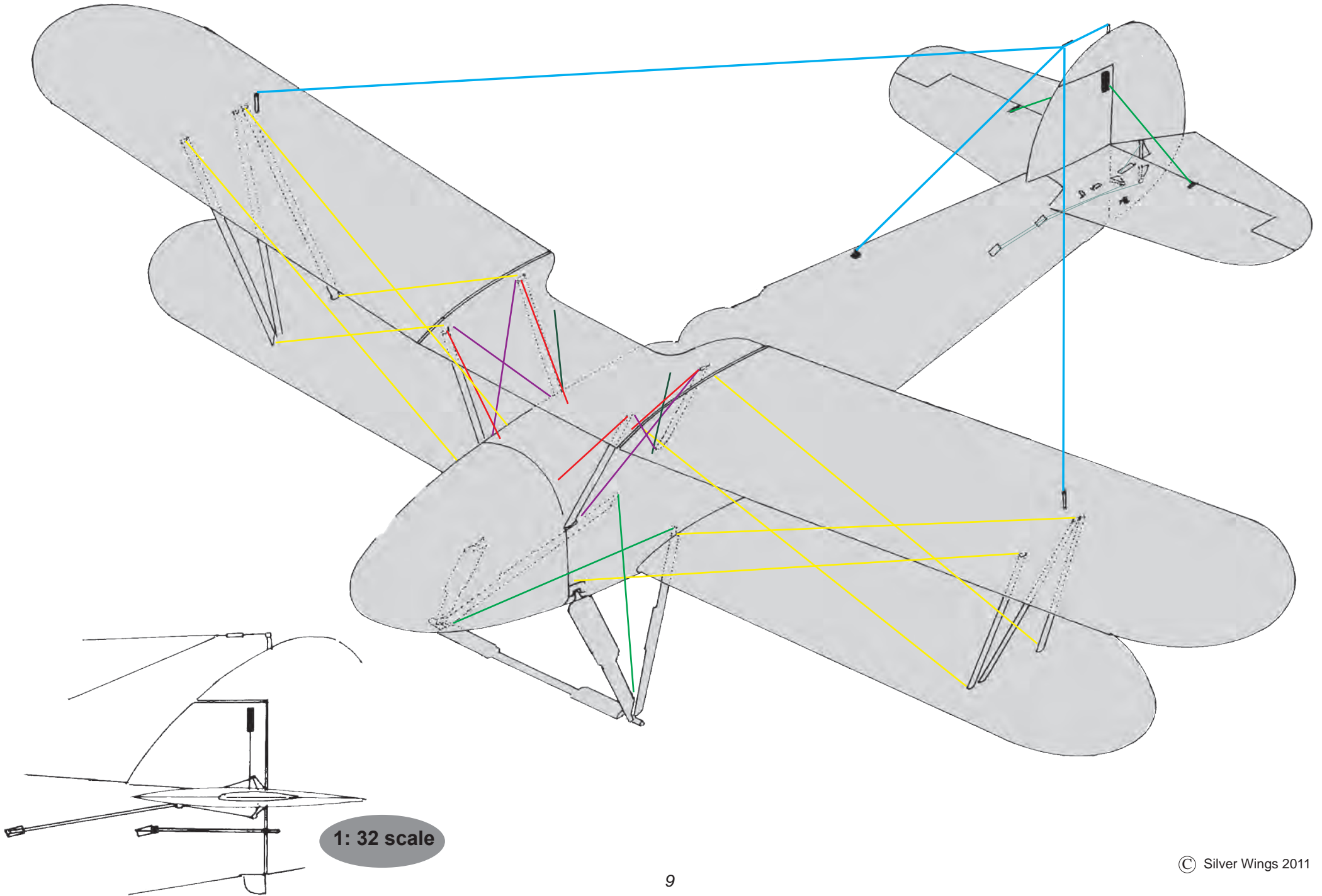


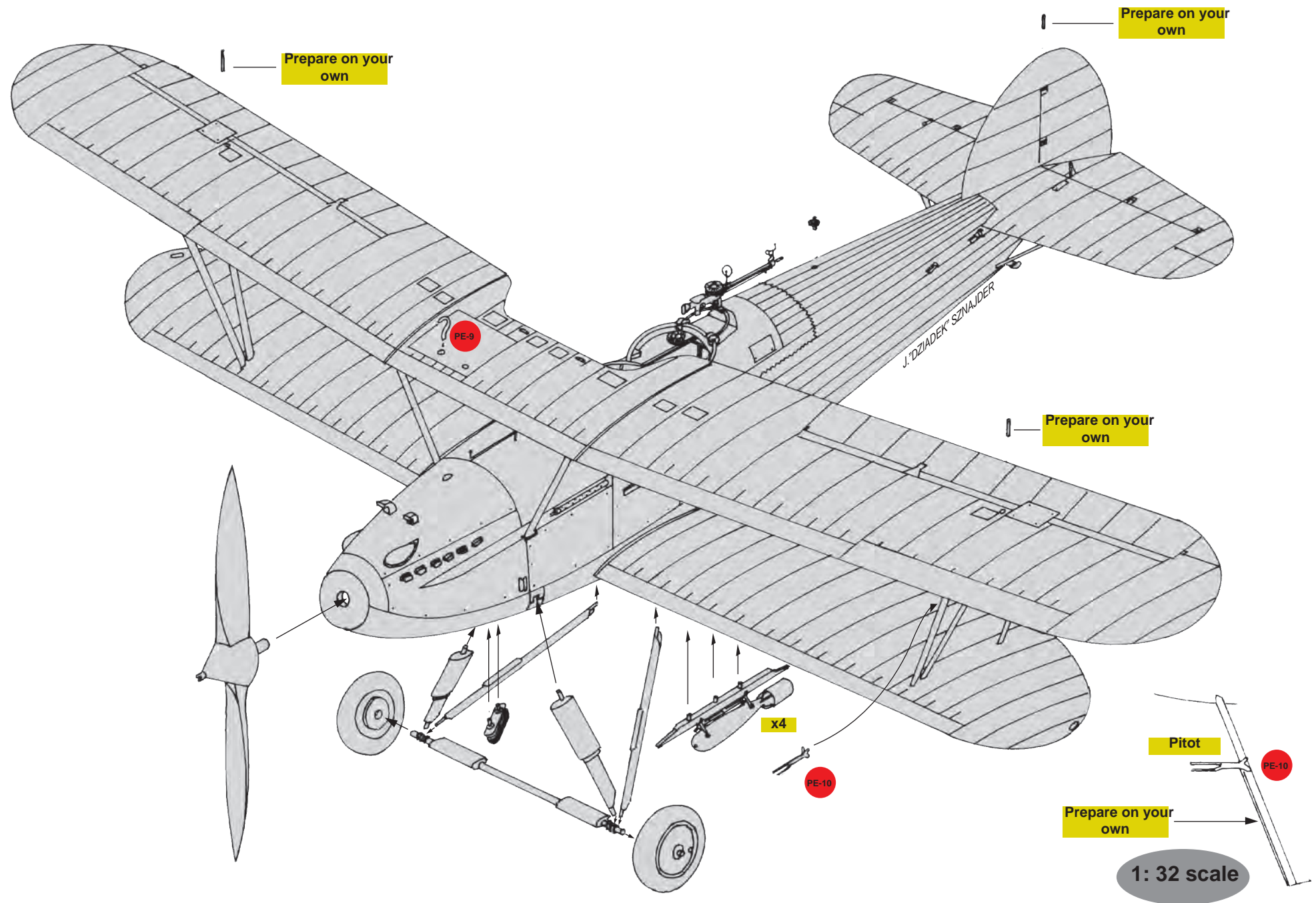




1: 32 scale

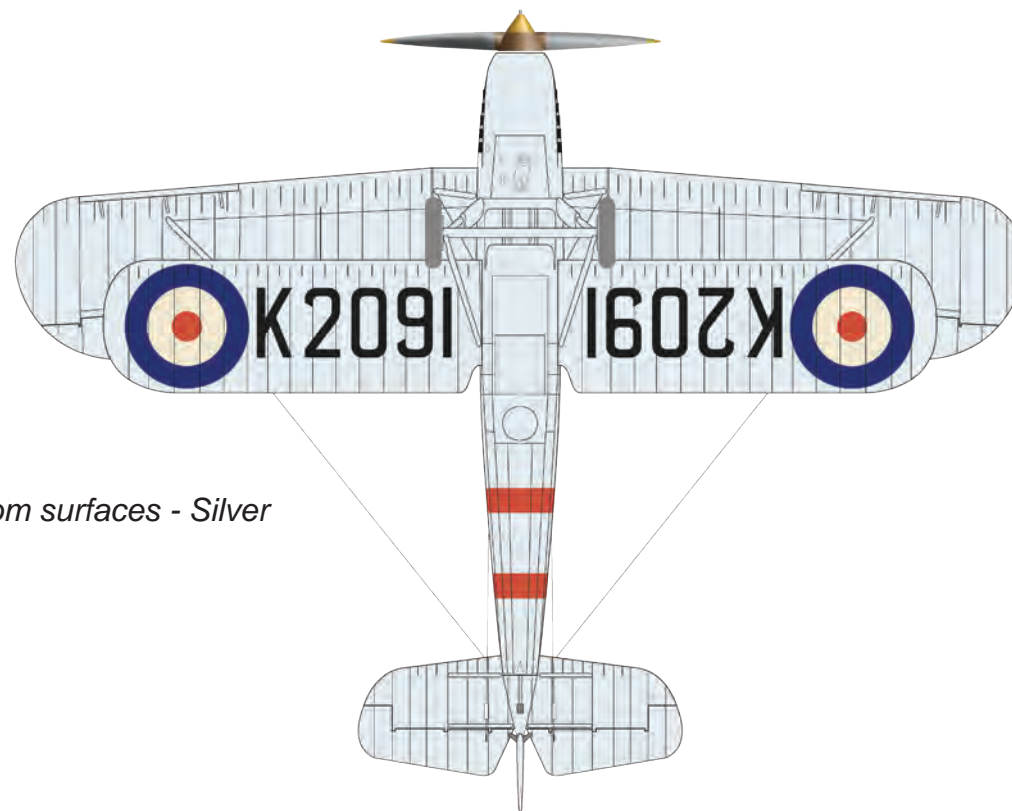
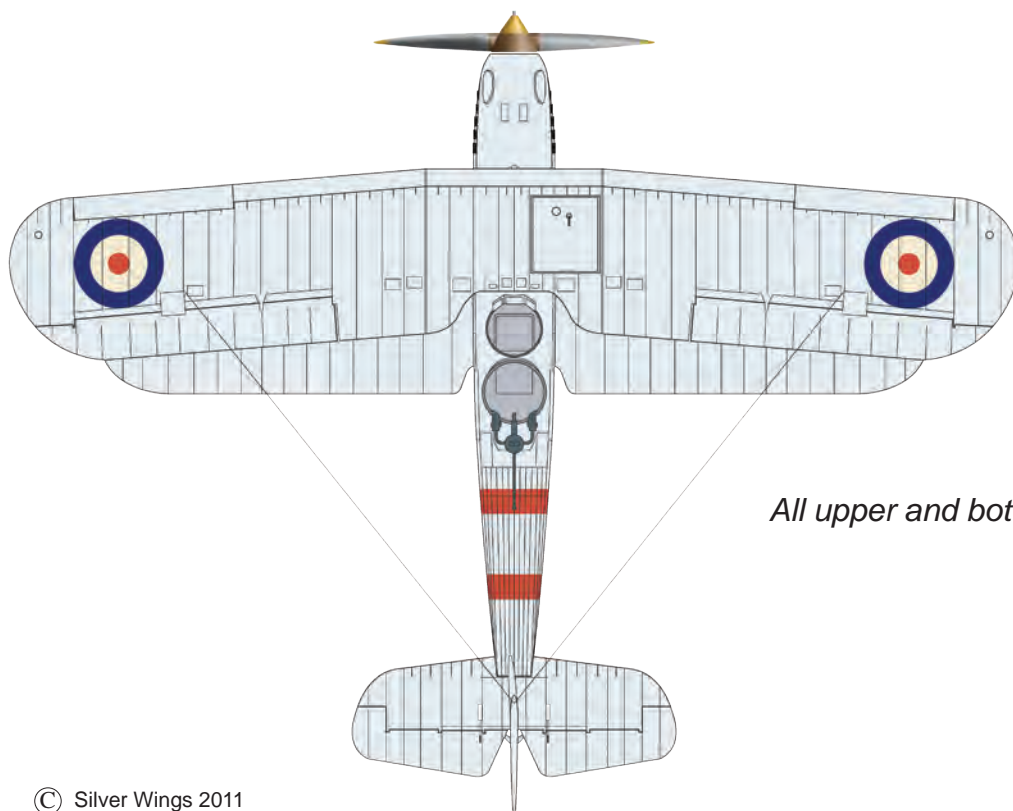
Dihedral wings







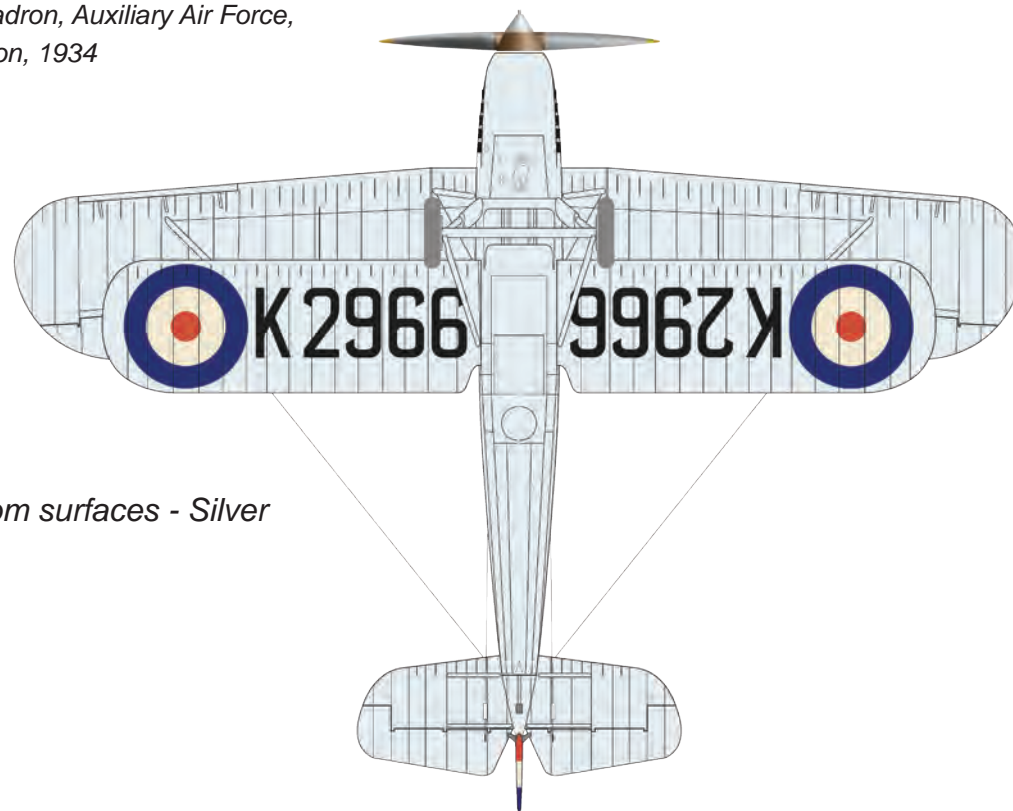
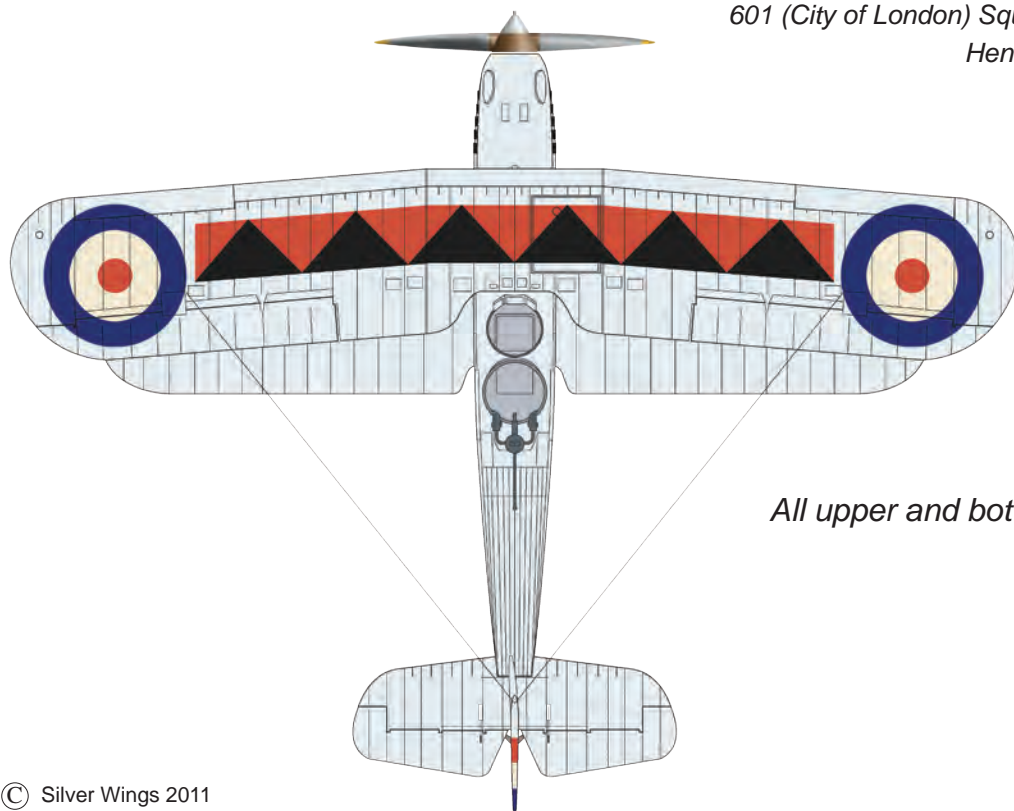
Hawker Hart, K 2091,
11 Squadron, Risalpur, India, 1937



All upper and bottom surfaces - Silver



Hawker Hart, K 2966,
601 (City of London) Squadron, Auxiliary Air Force,
Hendon, 1934



All upper and bottom surfaces - Silver