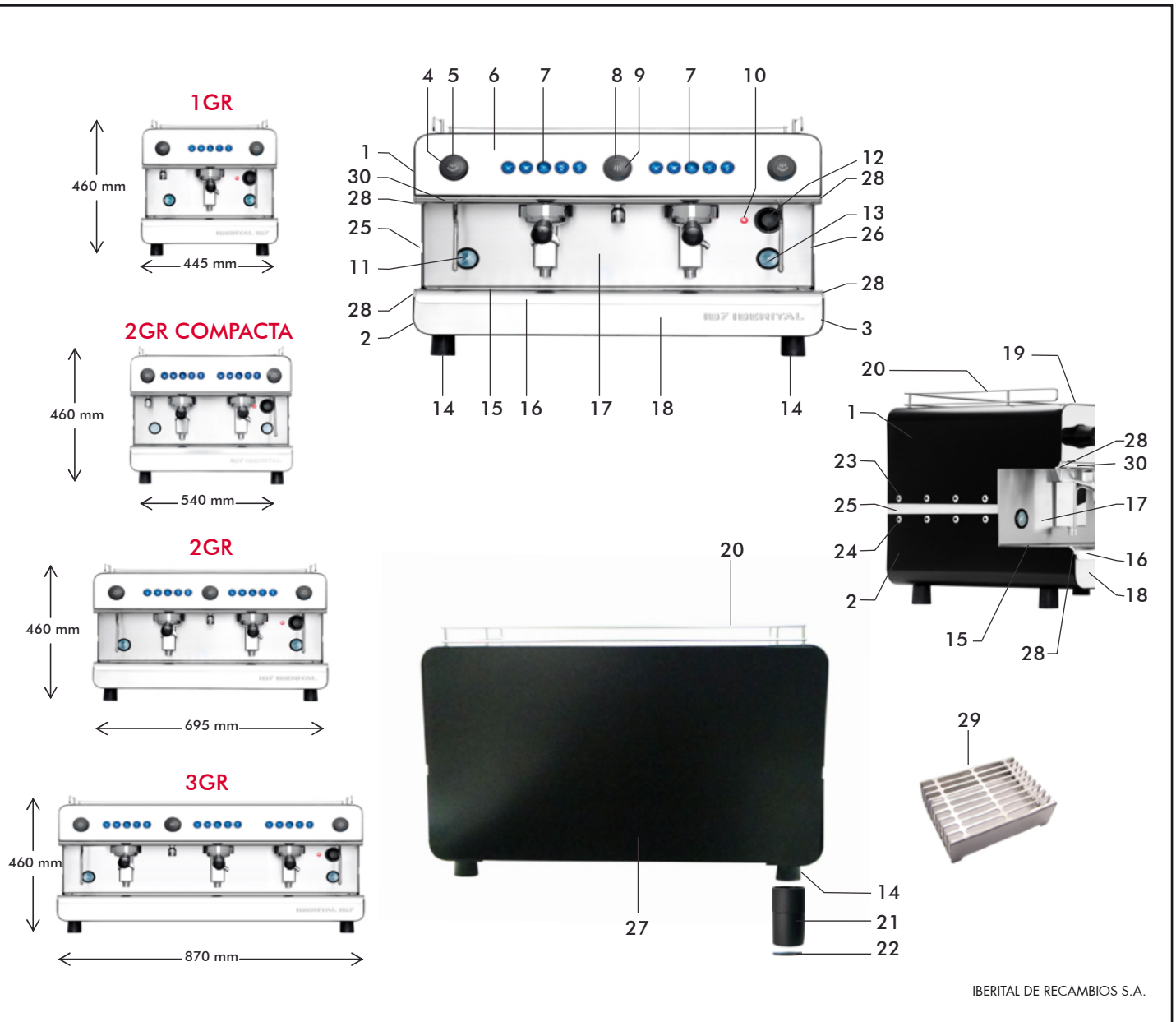


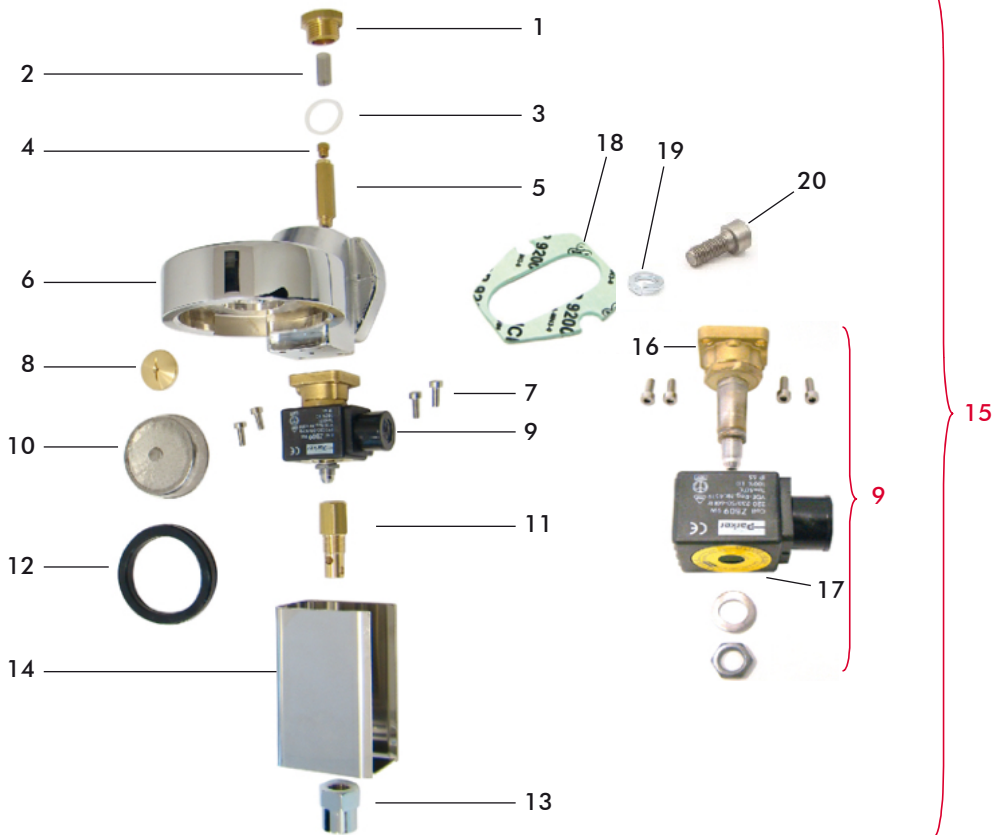
IBERITAL DE RECAMBIOS S.A.

FIG.	COD.	DESCRIPCION	DESCRIPTION	FIG.	COD.	DESCRIPCION	DESCRIPTION
1	35125	BANDEJA TAZAS 1GR. IB7	UPPER SIDE COVER 1GR	10	19458	PILOTO ROJO 230V UL	230V UL RED SIGNAL LIGHT
1	35172	BANDEJATAZAS 2GR. IB7	UPPER SIDE COVER 2GR	11	11267	MANOMETRO 0-16 BAR L'ANNA	0-16 BAR MANOMETER
1	35177	BANDEJA TAZAS 2GR.COMP. IB7	UPPER SIDE COVER 2GR COMP.	12	35316	POMO INTERRUPT IB7 COMPLETO	SWITCH KNOW IB7
1	35593	BANDEJATAZAS 3GR. IB7	UPPER SIDE COVER 3GR	13	11268	MANOMETRO 0-3 BAR L'ANNA	0-3 Bar MANOMETER
2	34348	LATERAL INF 2GR COMP. IB7	LEFT LOWER SIDE COVER 2GR COMP.	14	485	PIE DE APOYO (G)	MACHINE FOOT
2	34350	LATERAL INF. 1GR IZQ. IB7	LEFT LOWER SIDE COVER 1GR	15	35183	BANDEJA TROQUEL. INOX 1GR. IB7	INOX DIE CUT TRAY 1GR
2	35123	LATERAL INF. 2GR IZQ. IB7	LEFT LOWER SIDE COVER 2GR	15	35185	BANDEJA TROQUEL. INOX 2GR. IB7	INOX DIE CUT TRAY 2GR
2	35591	LATERAL INF. 3GR IZQ. IB7	LEFT LOWER SIDE COVER 3GR	15	35187	BANDEJA TROQ. INOX 2G COMP. IB7	INOX DIE CUT TRAY 2GR COMP.
3	34349	LATERAL INF. 2GR COMP. DER. IB7	RIGHT LOWER SIDE COVER 2GR COMP.	15	35595	BANDEJA TROQUEL. INOX 3GR. IB7	INOX DIE CUT TRAY 3GR
3	34351	LATERAL INF. 1GR DER. IB7	RIGHT LOWER SIDE COVER 1GR	16	35184	BANDEJA DESAGÜE 1GR IB7	INOX DRAIN TRAY 1GR
3	35124	LATERAL INF. 2GR DER. IB7	RIGHT LOWER SIDE COVER 2GR	16	35186	BANDEJA DESAGÜE 2GR IB7	INOX DRAIN TRAY 2GR
3	35592	LATERAL INF. 3GR DER. IB7	RIGHT LOWER SIDE COVER 3GR	16	35188	BANDEJA DESAGÜE 2GR COMP. IB7	INOX DRAIN TRAY 2GR COMP.
4	35198	TAPA POMO VAPOR N.IB7 SERIG.	KNOB STEAM COVER INTENZ SERIG.	16	35596	BANDEJA DESAGÜE 3GR IB7	INOX DRAIN TRAY 3GR
5	35317	POMO VAPOR IB7 COMPLETO	STEAM KNOB IB7	17	36289	PANEL FRONTAL LED 1GR IB7	FRONT PANEL LED 1GR IB7
6	35121	FRONTAL SUP. 1 GR IB7	UPPER FRONT COVER 1GR	17	36292	PANEL FRONTAL LED 2GR IB7	FRONT PANEL LED 2GR IB7
6	35170	FRONTAL SUP. 2GR IB7	UPPER FRONT COVER 2GR	17	36293	PANEL FRONTAL LED 2GRC IB7	PANEL FRONT PANEL LED 2GRC IB7
6	35175	FRONTAL SUP. 2GR COMP. IB7	UPPER FRONT COVER 2GR COMP.	17	36304	PANEL FRONTAL LED 3GR IB7	FRONTAL PANEL LED 3GR IB7
6	35587	FRONTAL SUP. 3GR IB7	UPPER FRONT COVER 3GR	17	36570	CONJ.PANEL 2G IB7 COMP SIN LED	PANEL FRONTAL LED 3GR INTENZ
7	35239	BOTONERA MODELO IB7	IB7 BUTTON	17	36597	CONJ PANEL IB7 1GR SIN LED	IB7 1GR WITHOUT LED WHOLE
8	35199	TAPA POMO AGUA N.IB7 SERIG.	KNOB WATER COVER INTENZ SERIG.	17	36598	CONJ PANEL IB7 2GR SIN LED	IB7 2GR WITHOUT LED WHOLE
9	35318	POMO AGUA IB7 COMPLETO	WATER KNOB IB7	17	36599	CONJ PANEL IB7 3GR SIN LED	IB7 3GR WITHOUT LED WHOLE
10	11731	PILOTO ROJO 110V	110V RED SIGNAL LIGHT	18	35608	FRONTAL INF. 1 GR IB7	LOWER FRONT 1GR
				19	34364	REJILLA NEGRA A 28x16	A BLACK GRID 28x16



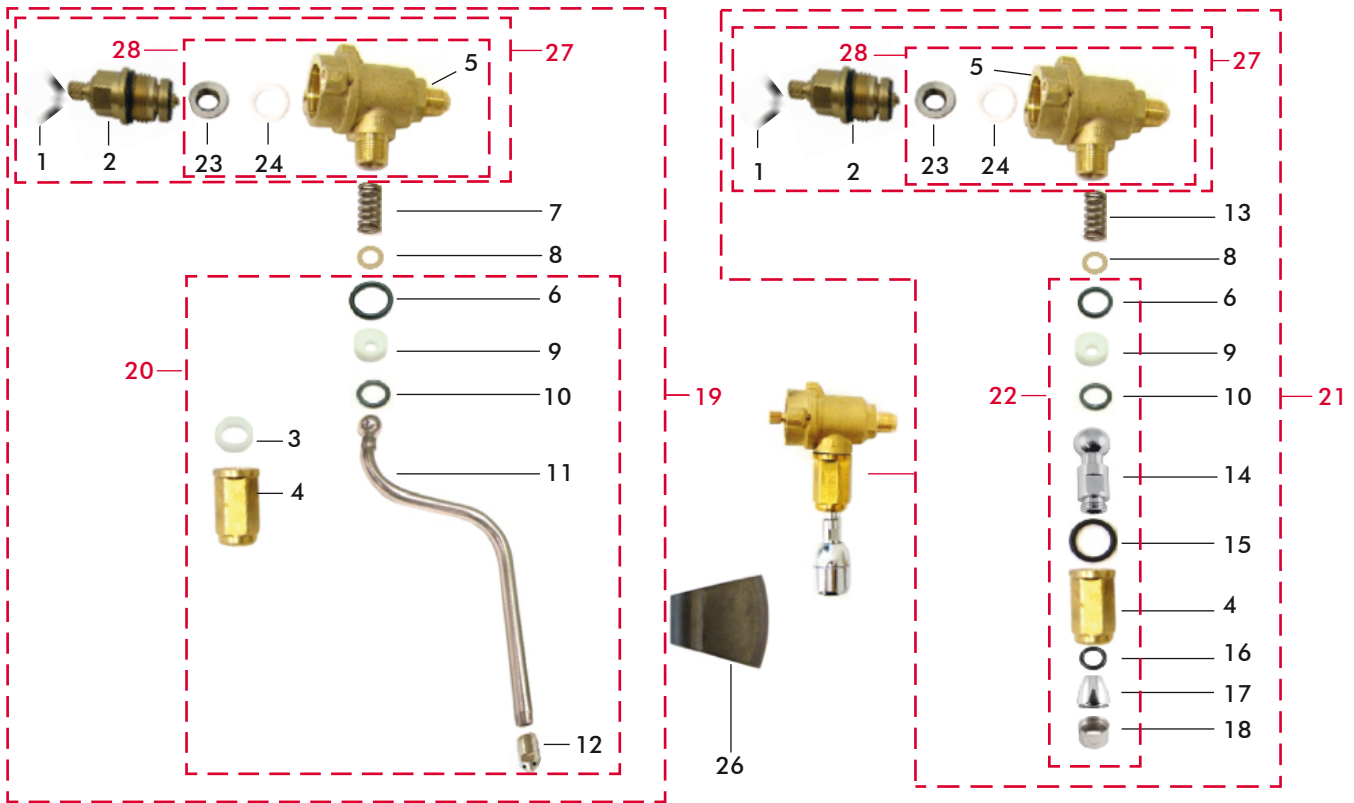
IBERITAL DE RECAMBIOS S.A.

FIG.	COD.	DESCRIPCION	DESCRIPTION	FIG.	COD.	DESCRIPCION	DESCRIPTION
19	34365	REJILLA NEGRA B 28x10	B BLACK GRID 28x10				
20	35179	REJILLA BANDEJATAZAS 1GR	CUPS TRAY GRID 1GR				
20	35180	REJILLA BANDEJATAZAS 2GR	CUPS TRAY GRID 2GR				
20	35181	REJILLA BANDEJATAZAS 2GR COMP	CUPS TRAY GRID 2GR COMP.				
20	35597	REJILLA BANDEJATAZAS 3GRIB7	CUPS TRAY GRID 3GR				
21	10105	SUPLEMENTO MAQUINA 103 mm	103mm USA SUPPL. FOOT MACH.				
21	10265	SUPLEMENTO MAQUINA 76 mm	76mm USA SUPPL. FOOT MACH.				
22	10109	DISCO GOMA	RUBBER DISC				
23	35110	TORNILLO DIN 965 P.NEGRO IB7 IB7	SCREW DIN 965				
24	35267	EMBELECEDOR TORNILLO CROM IB7	CHROME COVER				
25	35389	EMB. INOX LATERAL IZQ. IB7	INOX LEFT SIDE COVER				
26	35390	EMB. INOX LATERAL DER. IB7	INOX RIGHT SIDE COVER				
27	35168	PANEL POSTERIOR 1GR IB7	COVER BACK 1GR				
27	35173	PANEL POSTERIOR 2GR IB7	COVER BACK 2GR				
27	35178	PANEL POSTERIOR 2GR COMP. IB7	COVER BACK 2GR COMPACT				
27	35594	PANEL POSTERIOR 3GR IB7	COVER BACK 3GR				
28	34340	CANTONERA IB7	CORNER IB7				
29	35625	CHAPA ELEVATAZAS	PLATE ELEVATES CUP				
30	34359	PERFIL FRONTAL INOX 1GR. IB7	PROFILE FRONT INOX 1GR IB7				
30	35588	PERFIL FRONTAL INOX 3GR. IB7	PROFILE FRONT INOX 3GR IB7				



IBERITAL DE RECAMBIOS S.A.

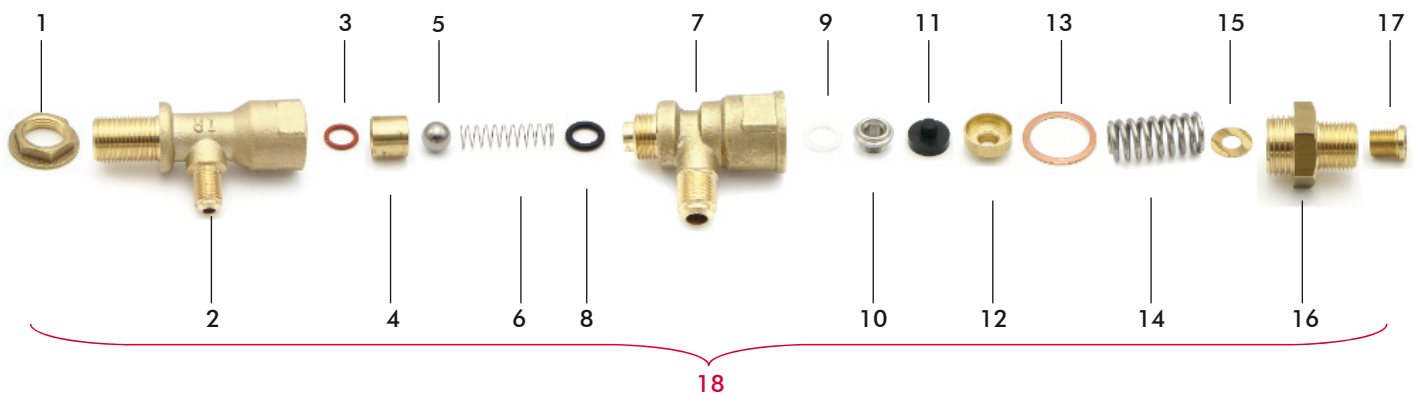
FIG.	COD.	DESCRIPCION	DESCRIPTION	FIG.	COD.	DESCRIPCION	DESCRIPTION
1	26358	TAPON 1/2 GRUPO ECONOMICO	1/2" CAP	12	360	SUPLEMENTO GOMA PORTA	SUPPLEMENT FILTERHOLDER GASKET
2	36594	FILTRO TUBULAR	TUBULAR FILTER	12	70279	JUNTA PORTA FILTROS 8mm	8mm FILTERHOLDER GASKET
3	26339	JUNTA TEFLÓN 26X21X2	26X21X2 TEFLON GASKET	12	70280	JUNTA PORTA FILTROS 9mm	9mm FILTERHOLDER GASKET
4	267	CHICLER 0,7mm	0,7mm CHICLEUR	12	9215	JUNTA FAEMA BRASILIA 8,5mm	8,5mm FILTERHOLDER GROUP SEAL
4	30194	CHICLER 1mm	1 mm CHICLER	12	9798	JUNTA FAEMA BRASILIA 8mm	8mm FAEMA BRASILIA GROUP SEAL
5	26340	COLUMNA EST10 M8-M6X0,75 H47	EST10 M8-M6X0,75 H47	13	11733	RACOR DESCARGA GRUP. CROM.	FITTING
6	23887	NUEVO GRUPO ECONOMICO	NEW ECONOMIC BODY GROUP	14	35030	TAPA ELECTROVALV. GRUPO	GROUP SOLENOID LID IB7
7	2275	TORN. SUJ. ELECTR. GRUPO INOX	ALLEN SCREW	14	35633	TAPA ELECTROVALV. GRUPO ALTO	HIGH GROUP SOLENOID LID IB7
8	175	ROCIADOR AGUA	SPRAYHEAD	15	35238	CONJUNTO GRUPO VITON IB7	IB7 GROUP COMPLETE ASSY
9	8259	ELECTR. PARKER VITON 220V	220V PARKER SOLENOID	16	6182	ELECTROV. PARKER S/BOBINA 220V	SOLENOID WITHOUT COIL 220V
10	288	DUCHA EROGACION	SHOWER	17	19487	BOBINA CARGA AGUA 230V CE	230V CE COIL
11	11732	CASQUILLO DESCARGA NUEVO	NEW CAP	17	19489	BOBINA 208-240/60HZ UL	208-240/60HZ UL SOLENOID VALVE
11	21966	RACORD DESCARGA VASO ALTO	HIGH CUP DISCHARGE RACORD	17	22513	BOBINA PARKER 110V CE	110V CE PARKER COIL
12	10262	JUNTA PORTAFILTROS 8,5mm	8,5mm FILTERHOLDER GASKET	17	7283	BOBINA PARKER 220V CE	220V CE PARKER COIL
12	11598	JUNTA PORTA ARINCA 8mm	8mm ARINCA FILTERHOLD. GASKET	18	27075	JUNTA GRUPO JUNIOR	JUNIOR GROUP GASKET
12	11599	JUNTA PORTA SUPL. ARINCA 9mm	9mm SUPPL. FILTERHOLDER GASKET	19	8330	ARANDELA GROWER ZINC.8	GROWER WASHER
12	11617	JUNTA PORTA ARINCA SUPL. 8,5 mm	8.5mm SUPPL. FILTERH. GASKET	20	5894	TORNILLO M8 A2 (MÁQUINAS REFORZADAS)	M8 A2 SCREW (REINFORCED MACHINES)
12	142	JUNTA PORTA NORMAL 8mm	8mm NORMAL FILTERHOL. GASKET	20	8329	TORNILLO INOX M8	M8 S.STEEL SCREW
12	145	JUNTA PORTA SUPLEMENT. 9mm	9mm SUPPLE. FILTERHOLD. GASKET				
12	21947	GOMA PORTA NORMAL LD 8mm	8mm L/LIFE FILTERHOLDER GASKET				
12	21948	JUNTA PORTA SUPLEMENTADA LD	L/LIFE SUPPL. FILTERHOLDER GASKET				
12	30260	JUNTA PORTA 8mm IBERITAL NEW	8mm FILTERHOLDER GASKET IB.NEW				
12	34497	JUNTA PORTA 8mm FAEMA	8mm FAEMA FILTERHOL. GASKET				



IBERITAL DE RECAMBIOS S.A.

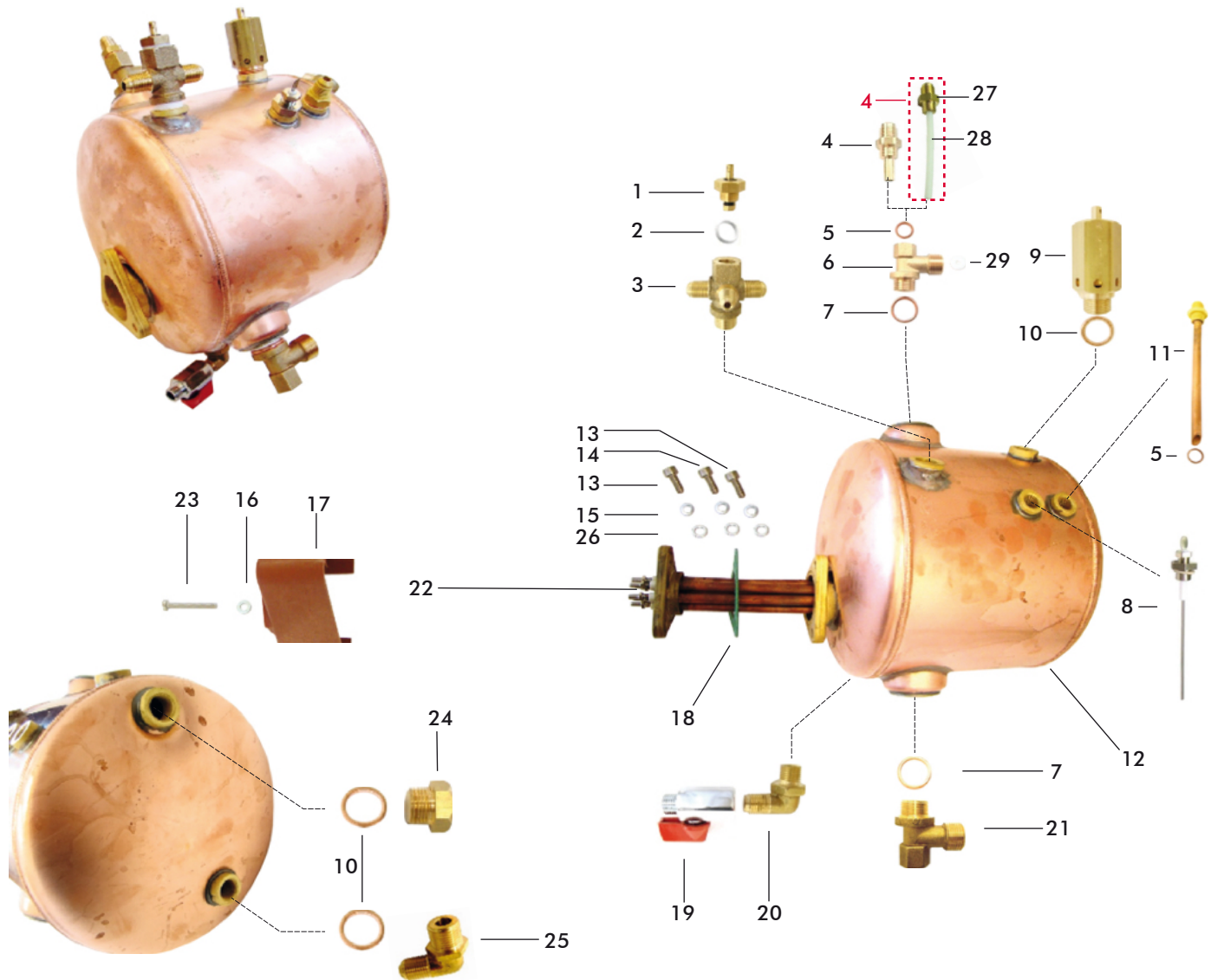
FIG.	COD.	DESCRIPCION	DESCRIPTION
1	1522	ANILLO SEEGER DIAM.24 EMBLISTA	SEEGER RING
2	6783	MONTURA GRIFO VAPOR/AGUA	STEAM/WATER TAP MOUNTING
3	27608	CASQUILLO TEFLON TUERCA VAPOR	STEAM TEFLON CAP
4	27522	TUERCA TUBO VAP/AGUA LATON	STEAM NUT
5	10626	CUERPO GRIFO SIN MONTAR	TAP BODY W/ SEAT
5	27613	CUERPO GRIFO CON TORN.S/ASIENT	TAP BODY W/O SEAT
6	19426	TORICA TUERCA T.VAP-AGUA	OR GASKET
7	27515	MUELLE TUBO VAPOR JUNIOR	SPRING
8	11079	ARANDELA LATON 8x14x0,5	BRASS WASHER
9	19051	CASQUILLO TEFLON NUEVO	NEW TEFLON CAP
10	19052	TORICA CASQUILLO TEFLON N	OR GASKET
11	27071	TUBO DE VAPOR ACER.INOX JUNIOR	SS STEAM PIPE
12	27372	SALIDA VAPOR TUBO JUNIOR	SS STEAM PIPE
12	30224	SALIDA VAPOR 3 AGUJ.1mm MOD-8	SS STEAM PIPE 3 HOLES 1mm
13	11050	MUELLE TUBO VAPOR	SPRING
14	30225	BOLA ROTULA TUBO AGUA LARGO-8	LARGE HOT WATER PIPE
14	8300	BOLA TUBO AGUA CAL CR.CORTO-8	SHORT HOT WATER PIPE
15	27621	TORICA VITON TUBO AGUA JUNIOR	OR GASKET
16	2104	JUNTA TORICA	OR GASKET
17	10958	ACOPLAMIENTO DIFUSOR AGUA	WATER SPRAYER ADAPTOR
18	10957	DIFUSOR TUBO AGUA JUNIOR-08	HOT WATER OUTLET
19	26432	CONJ. GRIFO VAPOR JUNIOR	STEAM TAPS ASSY W/O SEAT
19	30629	CONJ. TUBO VAPOR C/ASIE JUNIOR	STEAM TAPS ASSY W/ SEAT

FIG.	COD.	DESCRIPCION	DESCRIPTION
20	18007	TUBO VAPOR COMPLETO JUNIOR	STEAM PIPE COMPLETE
21	27618	CONJ. GRIFO AGUA JUNIOR	SHORT WATER TAPS ASSY NO SEAT
21	30603	CONJ. GRIFO AGUA ECO C/ASIENTO	SHORT WATER TAPS ASSY W/SEAT
22	18091	TUBO DE AGUA-8 COMPLETO	SHORT COMPLETE WATER PIPE
22	31685	TUBO AGUA LARGO-8 COMPLETO	LONG COMPLETE WATER PIPE
23	11347	ASIENTO GRIFO INOX PLANO	TAP SEAT
24	11345	JUNTA TEFLON ASIENTO INOX	TEFLON GASKET
25	11073	JUNTA GRIFO - FRONTAL	GASKET
26	34347	CLIP PROTECCION T.VAPOR 8mm	CLIP PROTECTION STEAM T. 8MM.
27	34188	CONJUNTO GRIFO C/ASIENTO	TAPS ASSY W/SEAT
28	10833	CUERPO GRIFOS + ASIENTO	TAP BODY + SEAT



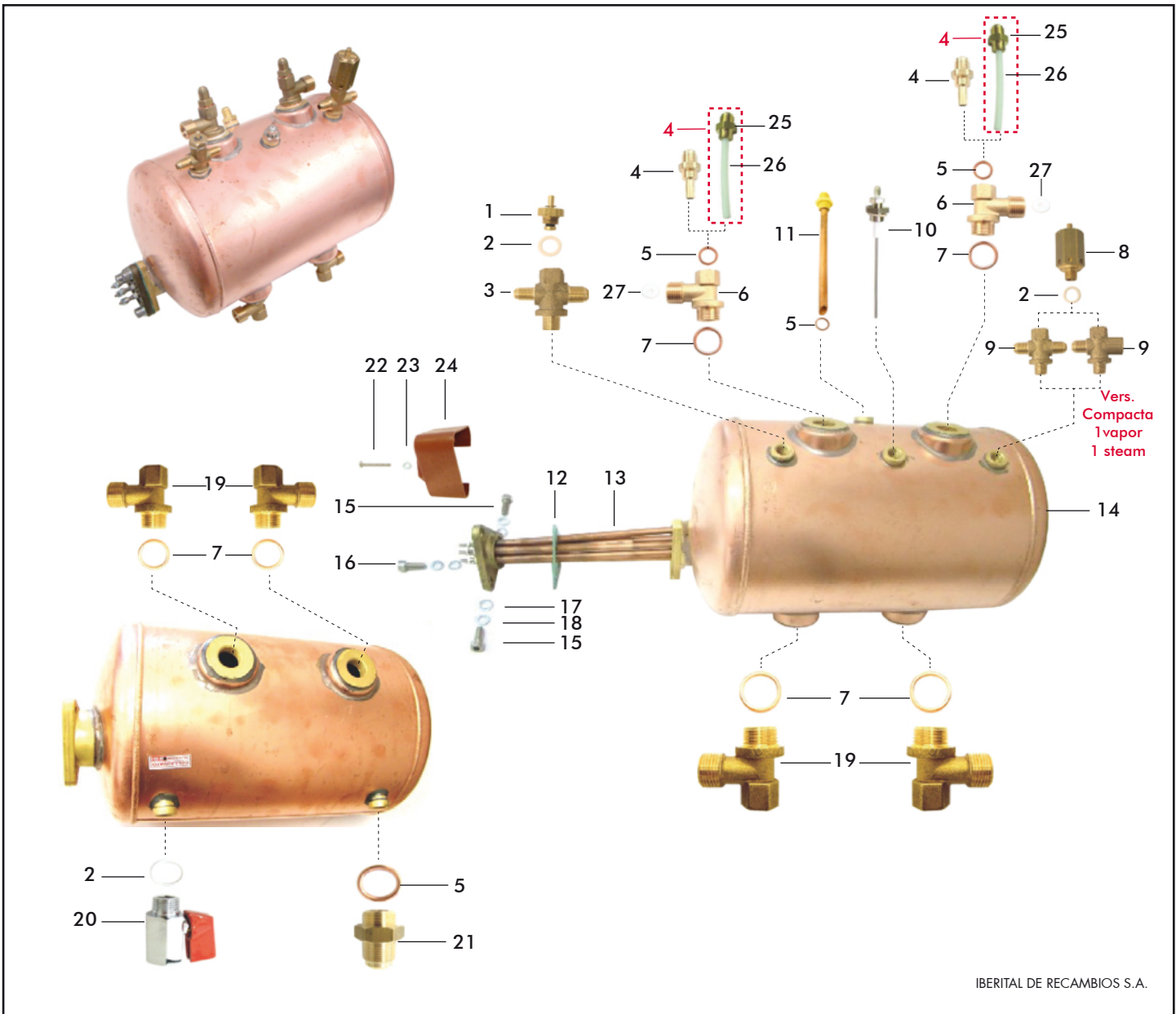
IBERITAL DE RECAMBIOS S.A.

FIG.	COD.	DESCRIPCION	DESCRIPTION	FIG.	COD.	DESCRIPCION	DESCRIPTION
1	9308	TUERCA 3/8 CON VALONA	3/8" NUT				
2	4445	CUERPO VALVULA RETENC 1/8	1/8" RETENTION VALVE BODY				
3	2350	TORICA SILICONA	SILICONE GASKET				
4	4075	CASQUILLO CIERRE	CLOSED CAP				
5	158	ESFERA 11mm INOX	INOX SPHERE				
6	148	MUELLE RACOR ENTRADA	RETENTION SPRING				
7	21516	CUERPO VÁLV. EXP. C/ASIENTO	W/SEAT EXP. VALVE BODY				
7	4074	CUERPO VÁLV. EXP. S/ASIENTO	W/O SEAT EXP. VALVE BODY				
8	1293	JUNTA TORICA	RUBBER O-RING				
9	11345	JUNTA TEFLON ASIENTO INOX	TEFLON GASKET				
10	11348	ASIENTO GRIFO LEVA INOX	TAP SEAT				
11	160	JUNTA PLANA	FLAT GASKET				
12	161	CASQUILLO PORTAJUNTAS	GASKET HOLDER CAP				
13	1565	JUNTA PLANA COBRE 21x26x1	21X26X1 COPPER WASHER				
14	156	MUELLE ARIETE Y VALV.EXP.	SPRING				
15	21582	ARANDELA DE LATON 7mm. F-3	7mm BRASS WASHER				
16	4079	RACORD VALV EXPANSION 3/8	3/8" EXPANS. VALVE FITTING				
17	2983	REGULADOR MUELLE	REGULATOR SPRING				
18	11646	CONJ. VÁLV. EXP-RET. C/ASIENTO	W/SEAT EXP-RET VALVE ASSEM.				
18	27622	CONJ. VÁLV. EXP-RET S/ASIENTO	W/O SEAT EXP-RET VALVE ASSEM.				



IBERITAL DE RECAMBIOS S.A.

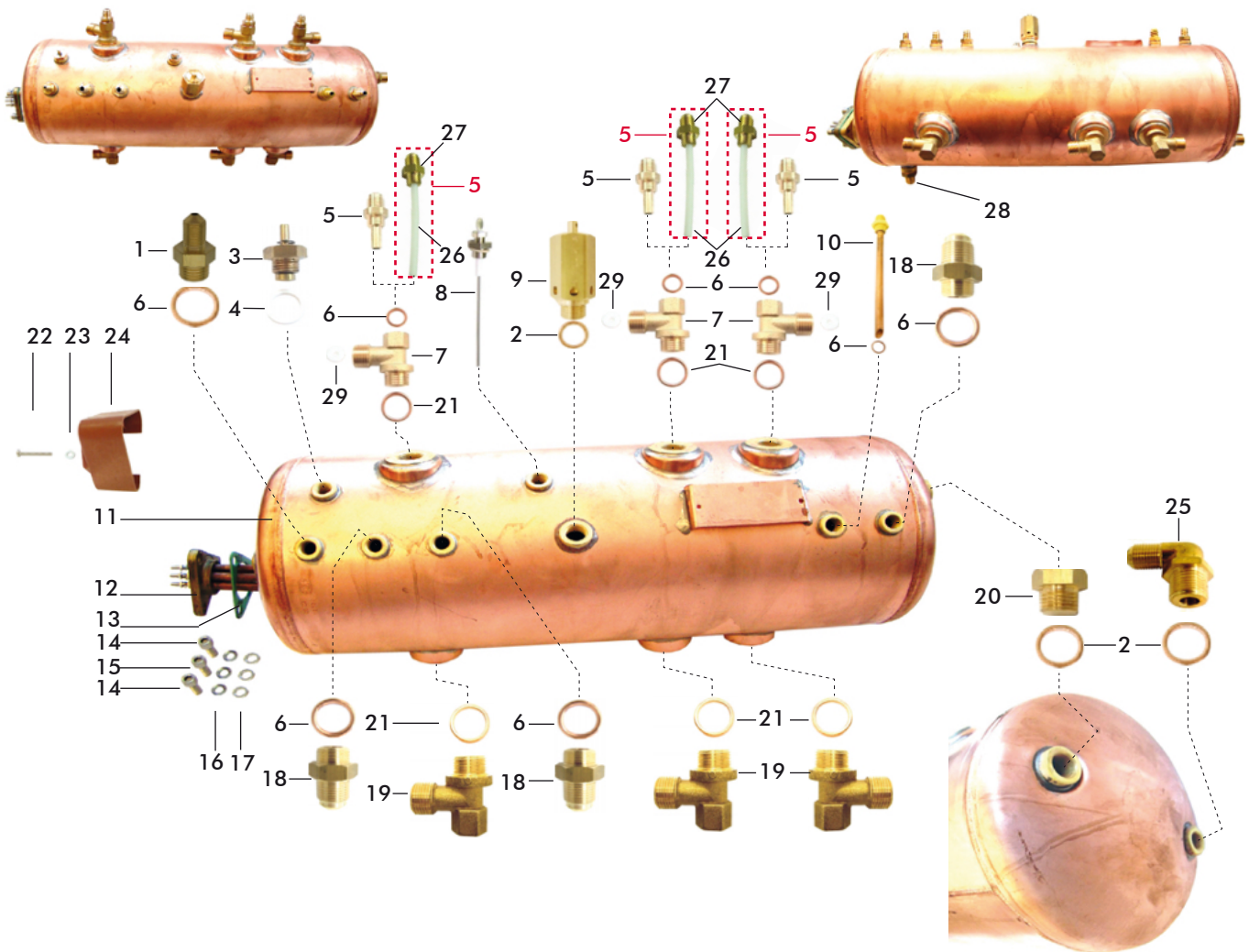
FIG.	COD.	DESCRIPCION	DESCRIPTION	FIG.	COD.	DESCRIPCION	DESCRIPTION
1	3319	CONJ VALVULA DEPRESORA	VACUUM EMPTY VALVE 1/4"	19	4709	GRIFO 1/4Mx1/4H	1/4"MX1/4"F OUTLET VALVE
2	5746	JUNTA TEFLON 1/4	TEFLON GASKET	20	2072	RACORD ACODADO 1/4 x 1/4	1/4"X1/4" ELBOW FITTING
3	9601	RACOR 5 VIAS MAQ. 1 GRUPO	5 WAYS FITTING	21	10909	RACOR CALDERA 2 ROSCAS	2 WAYS BOILER FITTING
4	18023	RACOR INYECTOR C/TUBO 12cm	INJECTOR FITTING W/PIPE 12cm	22	19480	RESIST. 1GR 2400W 240V	2400W 240V 1GR ELEMENT
4	18086	RACORD INYECTOR LARGO LATON	1/4"X1/4" INJECTOR FITTING	22	9609	RESIST. 1GR 1800W 110V	1800W 110V 1GR ELEMENT
4	28847	RACORD INYECTOR CON TUBO 11CM	INJECTOR FITTING W/PIPE 11cm	22	9938	RESIST. 1GR 1800W 220V	1800W 220V 1GR ELEMENT
5	8978	ARANDELA COBRE 1/4"	1/4" BRASS WASHER	23	11426	TORNILLO INOX	M4 S.STEEL SCREW
6	10908	RACOR CALDERA 1/2"X1/2"X1/4"	1/2"X1/2"X1/4" BOILER FITTING	24	9	TAPON CIEGO MACHO DE 3/8	3/8 PLUG MALE
7	10622	ARANDELA METALPLASTICA	METAL-PLASTIC WASHER	25	19019	CODO 3/8 X 1/4 ABOCARDADO	3/8"X1/4" ELBOW FITTING
8	5277	CONJUNTO SONDA NIVEL	STD WATER LEVEL PROBE	26	10093	ARANDELA PIVON ZINCADA	BRASS WASHER
9	1314	VALVULA SEGURIDAD CALDERA	3/8" BOILER SAFETY VALVE	27	28845	RACORD INYECTOR ESPECIAL	SPECIAL INJECTOR FITTING
9	3596	VALVULA CALD. HOMOLOGADA	1,8bar HOM. SAFETY VALVE 3/8"	28	18022	TUBO TEFLON 4X6 (12CM)S/CORTAR	TEFLON PIPE (12cm)
10	270	JUNTA METALPLASTICA 3/8	3/8" METALPLASTIC GASKET	28	28846	TUBO TEFLON 4X6 (11CM)	TEFLON PIPE (11cm)
11	9242	TUBO PESCA AGUA CALIENTE	HOT WATER OUTLET PIPE	28	30683	TUBO TEFLON 4X6 (9,5CM CORTAD)	TEFLON PIPE (9,5cm)
12	21510	CALDERA 6L 1GRUPO	1GR BOILER 6L	29	25750	ARANDELA TEFLON TUBO GRUPO 2,5	PIPE TEFLON WASHER 2,5mm
13	5894	TORNILLO INOX M8 A2	M8 A2 S.STEEL SCREW	29	8295	ARANDELA REDUCTOR TEFLON	TEFLON REDUCTOR
14	10288	TORN. RESIST CON ROSCA INT.	M8 WITH M4 SCREW				
15	8330	ARANDELA GROWER ZINC.8	GROWER WASHER				
16	9421	ARANDELA PERFIL M4 ZINCADA	M4 WASHER				
17	23872	TAPA RESISTENCIA 1 GR.REBAJADA	HEATING 1GR REDUCED COVER				
18	31727	JUNTA RESISTENCIA IR TEFLON	TEFLON HEATING ELEMENT GASKET				



IBERITAL DE RECAMBIOS S.A.

FIG.	COD.	DESCRIPCION	DESCRIPTION
1	3319	CONJ VALVULA DEPRESORA	VACUUM EMPTY VALVE 1/4"
2	5746	JUNTA TEFLON 1/4	TEFLON GASKET
3	26364	RACORD CALDERA JUNIOR 4V 1/8	1/8" 4V BOILER FITTING
4	18023	RACOR INYECTOR C/TUBO 12cm	INJECTOR FITTING W/PIPE 12cm
4	18086	RACORD INYECTOR LARGO LATON	1/4"X1/4" INJECTOR FITTING
4	28847	RACORD INYECTOR CON TUBO 11CM	INJECTOR FITTING W/PIPE 11cm
5	8978	ARANDELA COBRE 1/4"	1/4" BRASS WASHER
6	10908	RACOR CALDERA 1/2"X1/2"X1/4"	1/2"X1/2"X1/4" BOILER FITTING
7	10622	ARANDELA METALOPLASTICA	METAL-PLASTIC WASHER
8	32921	VALVULA CALDERA 1/4 HOMOLOGADA	1,8bar HOM. SAFETY VALVE 1/4"
8	6114	VALVULA SEGURIDAD 1/4	1/4" SECURITY VALVE
9	26350	RACORD CALDERA JUNIOR 4V 1/4	1/4" 4 WAYS BOILER FITTING
9	27635	RACORD CALDERA JUNIOR 3V 1/4	1/4" 3WAYS BOILER FITTING
10	5277	CONJUNTO SONDA NIVEL	STD WATER LEVEL PROBE
11	9242	TUBO PESCA AGUA CALIENTE	HOT WATER OUTLET PIPE
12	31727	JUNTA RESISTENCIA IR TEFLON	TEFLON HEATING ELEMENT GASKET
13	26401	RESISTENCIA 2GR JUNIOR 3000W	2GR 3000W/230V HEATING ELEM.
13	27643	RESISTENCIA 2GR.JUN 2400W 110V	2GR 2400W/110V HEATING ELEM.
13	30188	RESISTENCIA 2G JUNIOR/08 3500W	2GR 3500W HEATING ELEMENT
14	26341	CALDERA 10.5 L. 2GR.ECONOMICA	2GR BOILER 10,5 L
15	5894	TORNILLO INOX M8 A2	M8 A2 S.STEEL SCREW

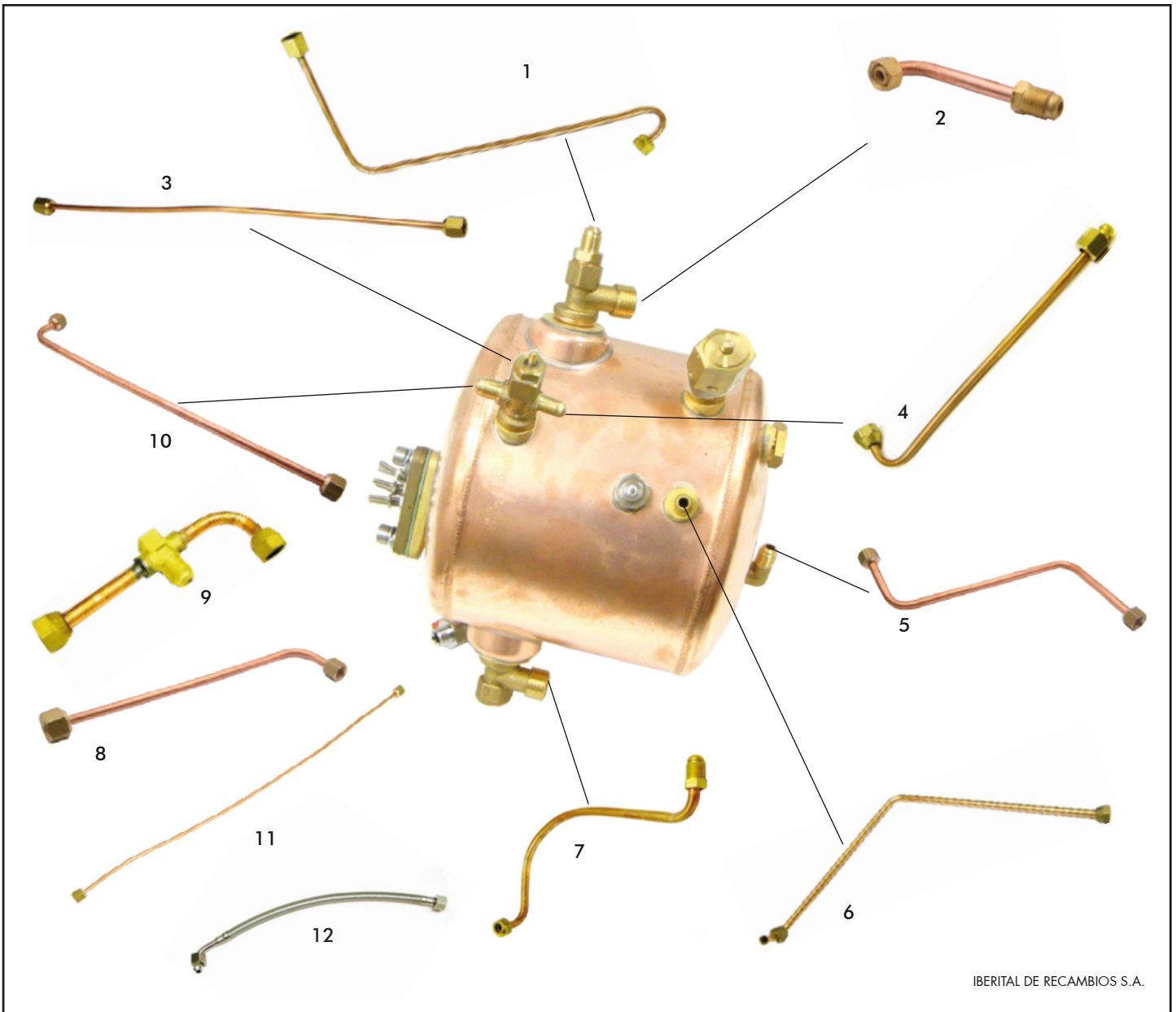
FIG.	COD.	DESCRIPCION	DESCRIPTION
16	10288	TORN. RESIST CON ROSCA INT.	M8 WITH M4 SCREW
17	10093	ARANDELA PIFON ZINCADA	BRASS WASHER
18	8330	ARANDELA GROWER ZINC.8	GROWER WASHER
19	10909	RACOR CALDERA 2 ROSCAS	2 WAYS BOILER FITTING
20	4709	GRIFO 1/4Mx1/4H EMPAQUET.VITON	1/4"MX1/4"F OUTLET VALVE
21	9187	RACOR 1/4x1/4 ABOCARDADO	1/4"X1/4" FLARING FITTING
22	11426	TORNILLO INOX	M4 S.STEEL SCREW
23	9421	ARANDELA PERFIL M4 ZINCADA	M4 WASHER
24	10192	TAPA PROTEC. RESISTENCIA	HEATING ELEMENT LID
25	28845	RACORD INYECTOR ESPECIAL	SPECIAL INJECTOR FITTING
26	18022	TUBO TEFLON 4X6 (12CM)S/CORTAR	TEFLON PIPE (12cm)
26	28846	TUBO TEFLON 4X6 (11CM)	TEFLON PIPE (11cm)
26	30683	TUBO TEFLON 4X6 (9,5CM CORTAD)	TEFLON PIPE (9,5cm)
27	25750	ARANDELA TEFLON TUBO GRUPO 2,5	PIPE TEFLON WASHER 2,5mm
27	8295	ARANDELA REDUCTOR TEFLON	TEFLON REDUCTOR



IBERITAL DE RECAMBIOS S.A.

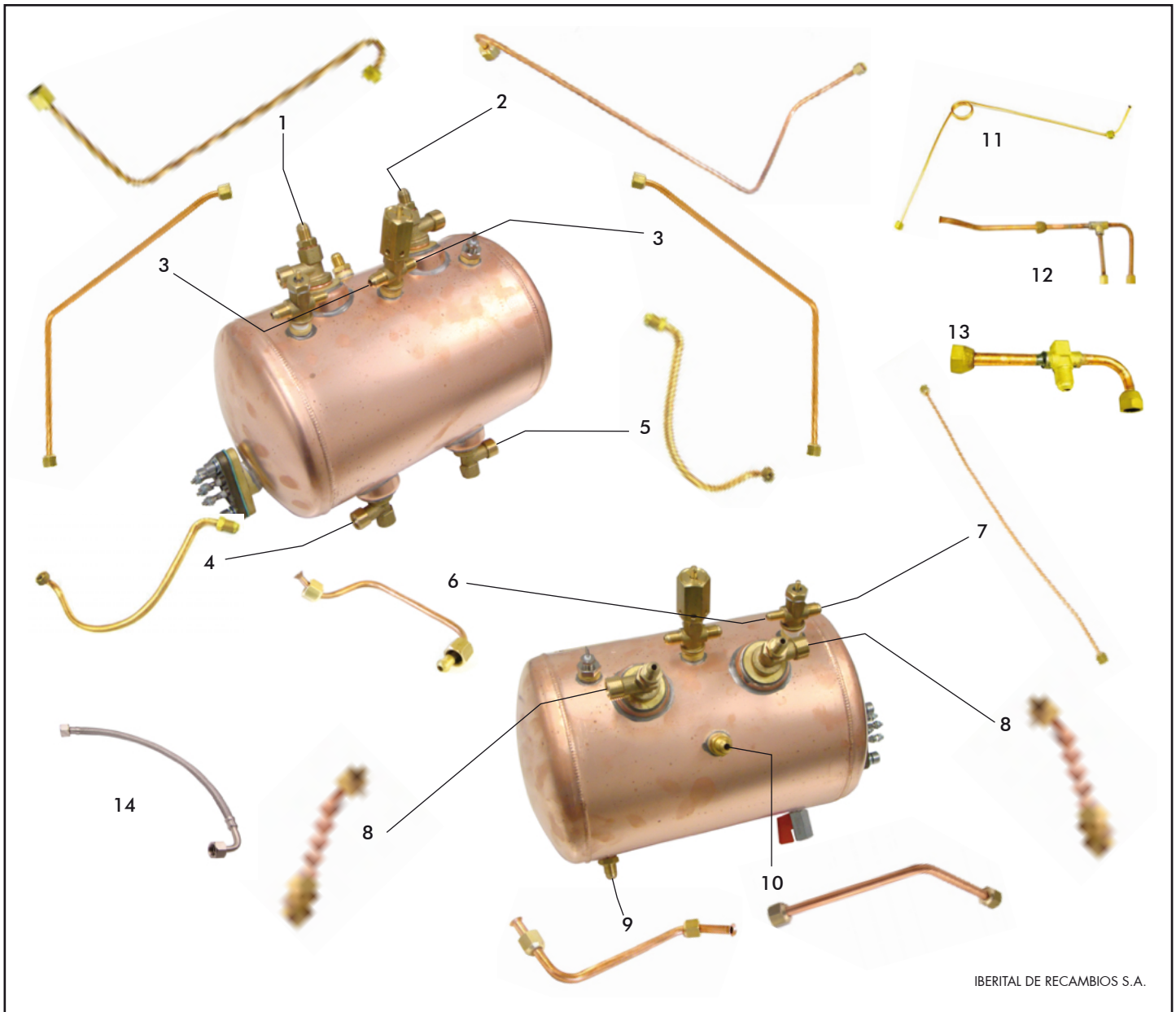
FIG.	COD.	DESCRIPCION	DESCRIPTION
1	9329	RACOR 1/4"X1/8" ABOCARDADO	1/4"X1/8" FITTING
2	270	JUNTA METALOPLÁSTICA 3/8"	3/8" METALPLASTIC GASKET
3	3319	VÁLVULA VACIO	EMPTY DEVICE
4	5746	ARANDELA TEFLÓN	TEFLON WASHER
5	18023	RACOR INYECTOR C/TUBO 12cm	INJECTOR FITTING W/PIPE 12cm
5	18086	RACOR INYECTOR 1/4"X1/4"	1/4"X1/4" INJECTOR FITTING
5	28847	RACOR INYECTOR C/TUBO 11cm	INJECTOR FITTING W/PIPE 11cm
6	8978	ARANDELA COBRE 1/4"	1/4" BRASS WASHER
7	10908	RACOR CALDERA 1/2"X1/2"X1/4"	1/2"X1/2"X1/4" BOILER FITTING
8	5277	CONJ. SONDA NIVEL	STD WATER LEVEL PROBE
9	1314	VÁLVULA SEGURIDAD CALDERA 3/8"	3/8" BOILER SAFETY VALVE
9	3596	VÁLV. SEG. HOMOL. 3/8" 1,8bar	1,8bar HOM. SAFETY VALVE 3/8"
10	9242	TUBO PESCA AGUA CALIENTE	HOT WATER OUTLET PIPE
11	21509	CALDERA 3GR 20L	3GR BOILER 20L
12	11722	RESIST. 3GR 6000W 240V	6000W 240V 3GR ELEMENT
12	19495	RESIST. 3GR 5000W 220/380V	5000W 220/380V 3GR ELEMENT
12	9941	RESIST. 3GR 3700W 220V	3GR 3700W HEATING ELEMENT
13	31727	JUNTA RESISTENCIA TEFLÓN	TEFLON HEATING ELEMENT GASKET
14	5894	TORNILLO INOX M8 A2	M8 A2 S.STEEL SCREW
15	10288	TORNILLO M8 C/ROSCA M4 INOX	M8 WITH M4 SCREW
16	8330	ARANDELA GROWER ZINC.	GROWER WASHER
17	10093	ARANDELA PIÑÓN ZINCADA	METAL WASHER
18	9187	RACOR 1/4"X1/4" ABOCARDADO	1/4"X1/4" FLARING FITTING

FIG.	COD.	DESCRIPCION	DESCRIPTION
19	10909	RACOR CALDERA 2 ROSCAS	2 WAYS BOILER FITTING
20	9	TAPÓN CIEGO MACHO 3/8"	3/8 PLUG MALE
21	10622	JUNTA METALOPLÁSTICA	METAL-PLASTIC WASHER
22	11426	TORNILLO M4 INOX	M4 S.STEEL SCREW
23	9421	ARANDELA PERFIL M4 ZINCADA	M4 WASHER
24	10192	TAPA PROTEC. RESISTENCIA	HEATING ELEMENT LID
25	19019	CODO 3/8"X1/4" ABOCARDADO	3/8"X1/4" ELBOW FITTING
26	18022	TUBO TEFLÓN 4X6 (12cm)	TEFLON PIPE (12cm)
26	28846	TUBO TEFLÓN 4X6 (11cm)	TEFLON PIPE (11cm)
26	30683	TUBO TEFLÓN 4X6 (9,5cm)	TEFLON PIPE (9,5cm)
27	28845	RACOR INYECTOR ESPECIAL	SPECIAL INJECTOR FITTING
28	8263	VÁLVULA CIERRE 3/8 MX3/8 H	3/8 MX3/8 F OUTLET VALVE
29	25750	ARANDELA TEFLON TUBO GRUPO 2,5	PIPE TEFLON WASHER 2,5mm
29	8295	REDUCTOR TEFLÓN	TEFLON REDUCTOR



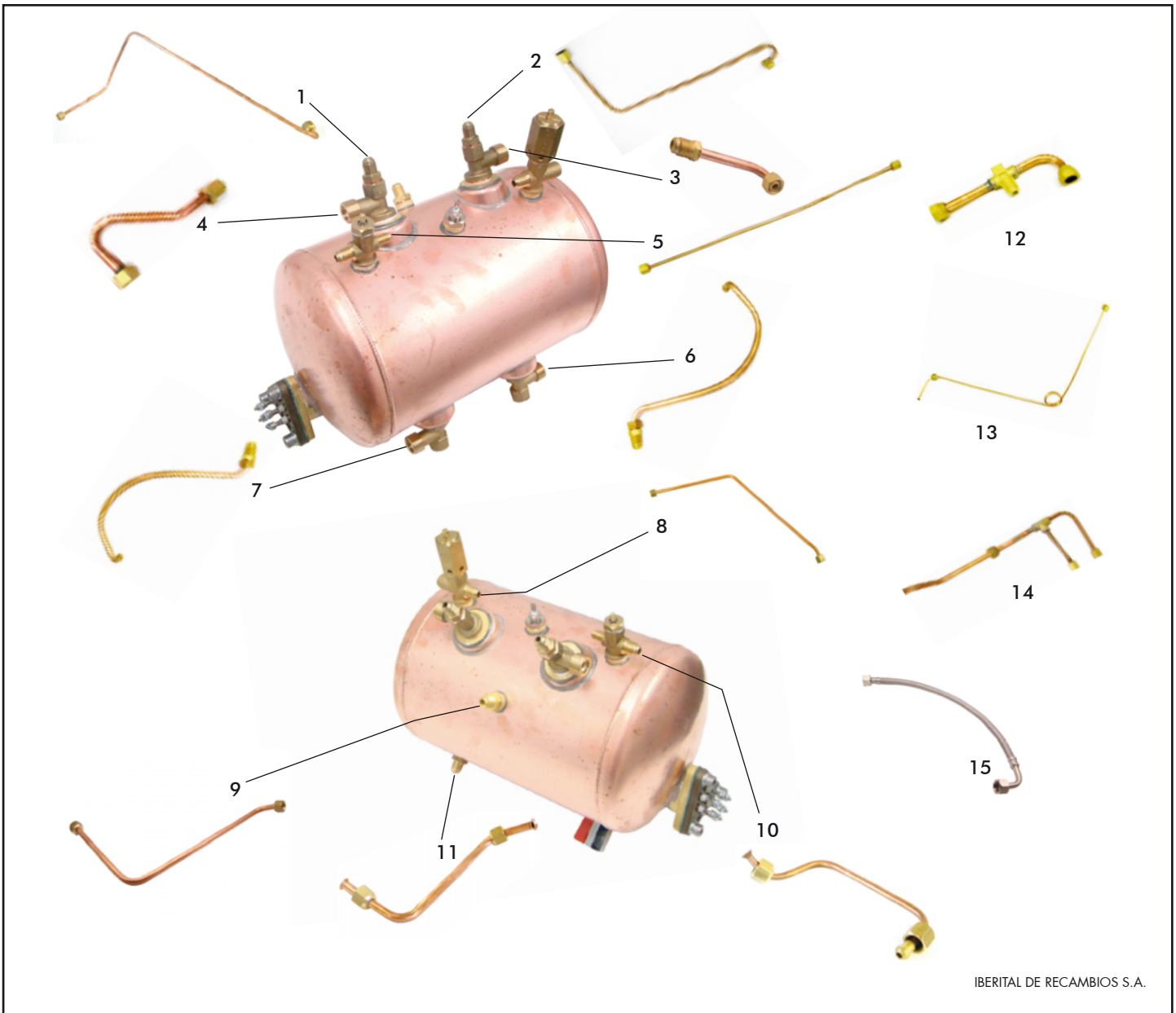
IBERITAL DE RECAMBIOS S.A.

FIG.	COD.	DESCRIPCION	DESCRIPTION	FIG.	COD.	DESCRIPCION	DESCRIPTION
1	11200	TUBO INYECTOR 2GRE 3GRDER	RIGHT INJECT PIPE				
2	34332	TUBO ENTRADA GRUPO IB7	INLET GROUP PIPE IB7				
3	11271	T.MANOMETRO-CALDERA 2GR.	BOILER - PRESSURE PIPE				
4	8583	TUBO CALD-PRESOSTATO 1GR	FLOWMETER PUMP PIPE				
5	34335	TUBO CALDERA-ELECTROV. 1GR.IB7	PIPE BOILER TO SOLENOID IB7				
6	10160	TUBO VAPOR IZQ.2GR MAR.3GR-P	LEFT STEAM PIPE				
7	34330	TUBO RETORNO IZQ. IB7	LEFT RETURN PIPE IB7				
8	34336	TUBO BATERIA A C.VOLUM.1GR.IB7	PIPE TO VOLUM.COUNTER IB7				
9	26380	TUBO VALV.EXP/EL.CARGA JUN-IB7	EXPAN VALVE PIPE				
10	34341	TUBO CALD.A GRIFO VAPOR 1G IB7	PIPE BOILER TO STEAM IB7				
11	26384	TUBO PRESION CALDERA JUNIOR	BOILER PRESSURE PIPE				
12	8600	MANGUERA 3/8" C/CODO 350mm	3/8" W. ELBOW HOSE PIPE 350mm				



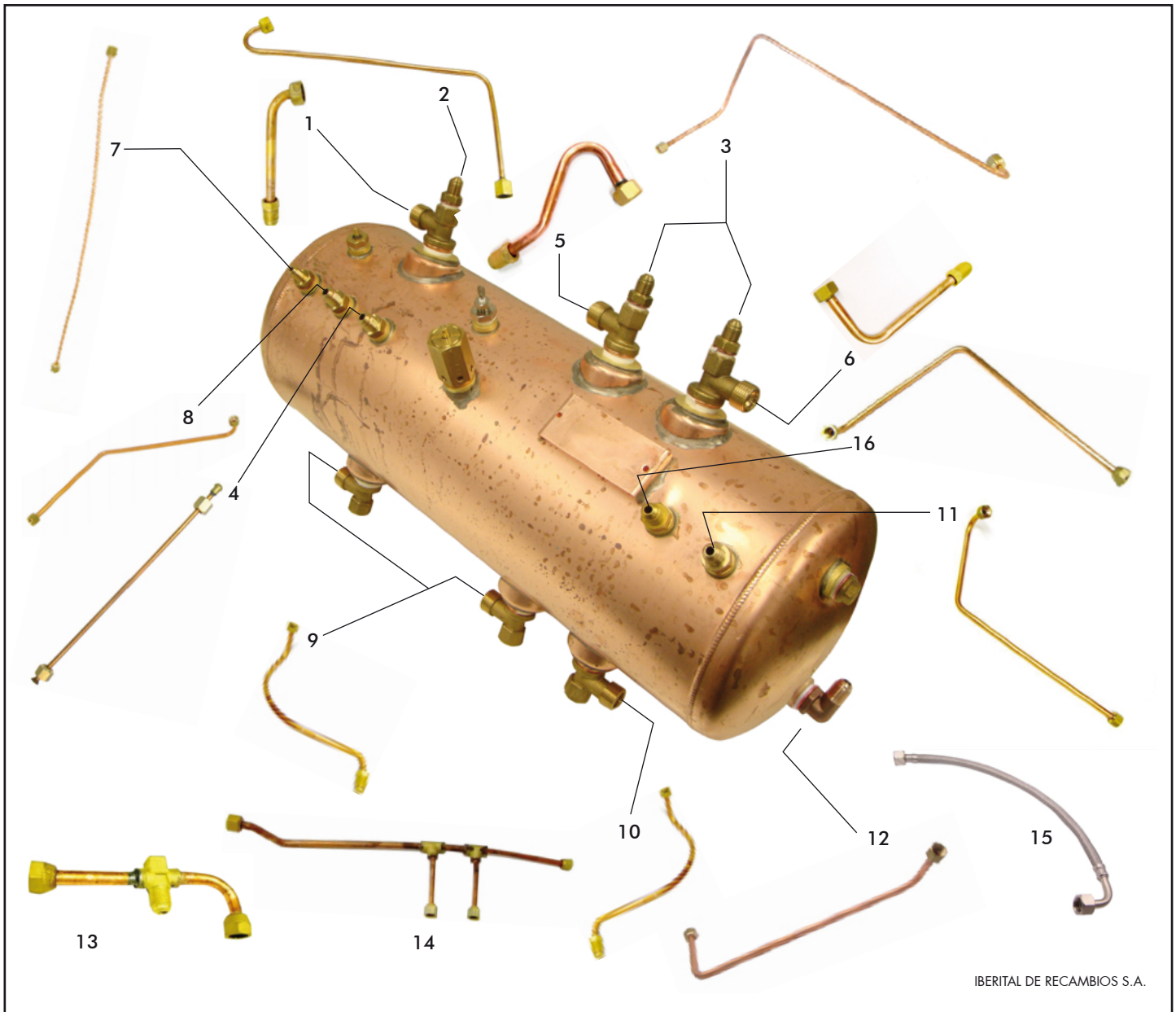
IBERITAL DE RECAMBIOS S.A.

FIG.	COD.	DESCRIPCION	DESCRIPTION	FIG.	COD.	DESCRIPCION	DESCRIPTION
1	11200	TUBO INYECTOR 2GRE 3GRDER	RIGHT INJECT PIPE				
2	11199	TUBO INYECTOR IZQ-CENT 3GR-E	LEFT CENTRAL INJECTOR PIPE				
3	34208	TUBO VAPOR DERECHO INTENZ 2G	RIGHT STEAM PIPE INTENZ 2GR				
4	34331	TUBO RETORNO DER. IB7	RIGHT RETURN PIPE IB7				
5	34330	TUBO RETORNO IZQ. IB7	LEFT RETURN PIPE IB7				
6	26392	TUBO PRESOSTATO JUN/J.COMP.IB7	PRESSURE SWITCH BOILER				
7	26388	TUBO PRESION CALDERA JR. COMP.	JUNIOR BOILER PRESSURE PIPE				
8	34332	TUBO ENTRADA GRUPO IB7	INLET GROUP PIPE IB7				
9	26386	TUBO ELECTROV.CARG CALD.JR IB7	JR INLET BOILER SOLENOID PIPE				
10	34343	TUBO DE AGUA IB7	WATER PIPE IB7				
11	11272	TUBO MANÓMETRO BOMBA 2GR	FLOWMETER-PUMP PIPE				
12	26374	TUBO CONT.VOL NEW EXPR/JUNIOR	FLOWMETER PIPE				
13	26380	TUBO VALV.EXP/EL.CARGA JUN-IB7	EXPAN VALVE PIPE				
14	9239	MANGUERA 3/8" C/CODO 400mm	3/8" W. ELBOW HOSE PIPE 400mm				



IBERITAL DE RECAMBIOS S.A.

FIG.	COD.	DESCRIPCION	DESCRIPTION	FIG.	COD.	DESCRIPCION	DESCRIPTION
1	11200	TUBO INYECTOR 2GRE 3GRDER	RIGHT INJECT PIPE				
2	11199	TUBO INYECTOR IZQ-CENT 3GR-E	LEFT CENTRAL INJECTOR PIPE				
3	34332	TUBO ENTRADA GRUPO IB7	INLET GROUP PIPE IB7				
4	34333	TUBO ENTRADA GRUPO DER.CMP IB7	RIGHT INLET GROUP PIPE IB7				
5	26388	TUBO PRESION CALDERA JR. COMP.	JUNIOR BOILER PRESSURE PIPE				
6	34330	TUBO RETORNO IZQ. IB7	LEFT RETURN PIPE IB7				
7	34331	TUBO RETORNO DER. IB7	RIGHT RETURN PIPE IB7				
8	34208	TUBO VAPOR DERECHO INTENZ 2G	RIGHT STEAM PIPE INTENZ 2GR				
9	34334	TUBO CALD.GRIFO AGUA COMP IB7	PIPE BOILER TO WATER IB7				
10	26392	TUBO PRESOSTATO JUN./J.COMP.IB7	PRESSURE SWITCH BOILER				
11	26386	TUBO ELECTROV.CARG CALD.JR IB7	JR INLET BOILER SOLENOID PIPE				
12	26380	TUBO VALV.EXP/EL.CARGA JUN-IB7	EXPAN VALVE PIPE				
13	11272	TUBO MANÓMETRO BOMBA 2GR	FLOWMETER-PUMP PIPE				
14	26374	TUBO CONT.VOL NEW EXPR/JUNIOR	FLOWMETER PIPE				
15	9239	MANGUERA 3/8" C/CODO 400mm	3/8" W. ELBOW HOSE PIPE 400mm				



IBERITAL DE RECAMBIOS S.A.

FIG.	COD.	DESCRIPCION	DESCRIPTION	FIG.	COD.	DESCRIPCION	DESCRIPTION
1	9234	TUBO GRUPO DERECHO 2GR	2GR RIGHT GROUP PIPE				
2	11200	TUBO INYECTOR DCH. 2-3GR INTENZ	RIGHT INJECTO PIPE 2-3GR INTENZ				
3	11199	TUBO INYECTOR IZQ. 2-3GR INTENZ	LEFT INJECTO PIPE 2-3GR INTENZ				
4	9232	TUBO CALDERA-PRESOSTATO	PRESSURE SWITCH - BOILER PIPE				
5	26389	TUBO GRUPO DERECHO 2GR	2GR RIGHT GROUP PIPE				
6	9255	TUBO GRUPO IZQUIERDO	LEFT GROUP PIPE				
7	26388	TUBO PRESION CALDERA JR. COMP.	JUNIOR BOILER PRESSURE PIPE				
8	34137	TUBO VAPOR DCH. 3GR INTENZ	RIGHT STEAM PIPE 3GR INTENZ				
9	10157	TUBO RETORNO DER-CENT ALTO	HIGH LEFT RETURN PIPE				
9	34331	TUBO RETORNO DER. IB7	RIGHT RETURN PIPE IB7				
10	10156	TUBO RETORNO IZQ. INTERNO	LEFT RETURN PIPE				
11	10161	TUBO VAPOR DERECHO	RIGHT STEAM PIPE				
12	34261	TUBO AGUA INTENZ V.A. -8 CALDERA 10,5 LITROS	WATER PIPE L.G. -8				
13	26380	TUBO VALV.EXP/EL.CARGA JUN-IB7	EXPAN VALVE PIPE				
14	27387	TUBO CONTADOR VOL. 3GRNEW IBE	FLOWMETER PIPE				
15	8754	MANGUERA 3/8" C/CODO 500mm	3/8" W. ELBOW HOSE PIPE 500mm				
16	10738	TUBO VAPOR IZQUIERDO	LEFT STEAM PIPE				

