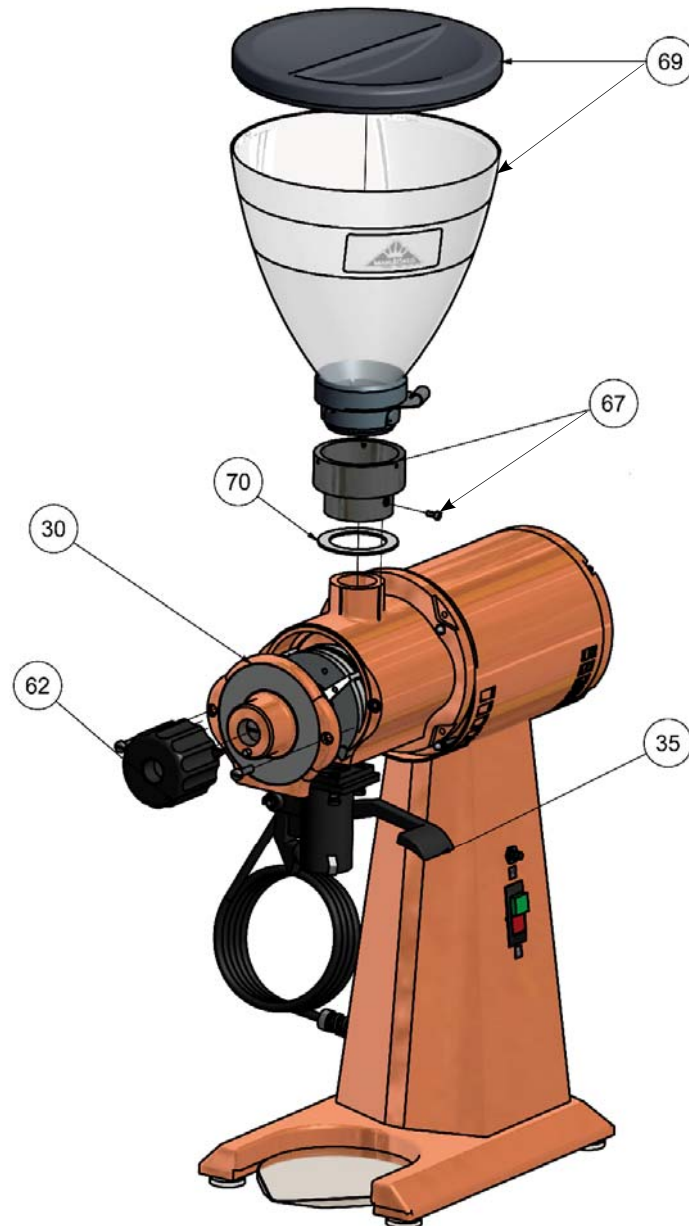


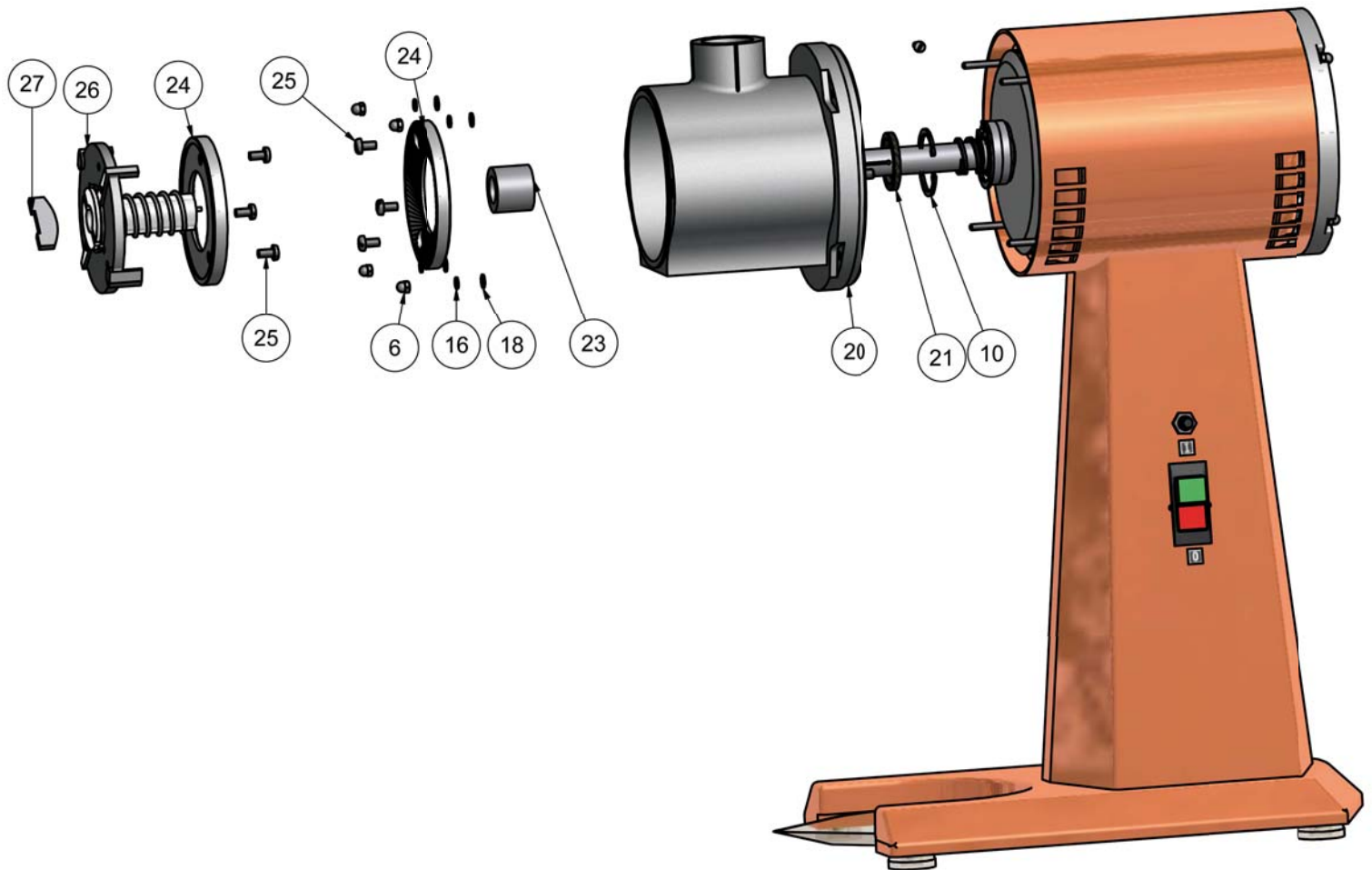
Valid from 01.01.2013  
Supersedes all previously issued spare parts lists

Subject to change without prior notice.



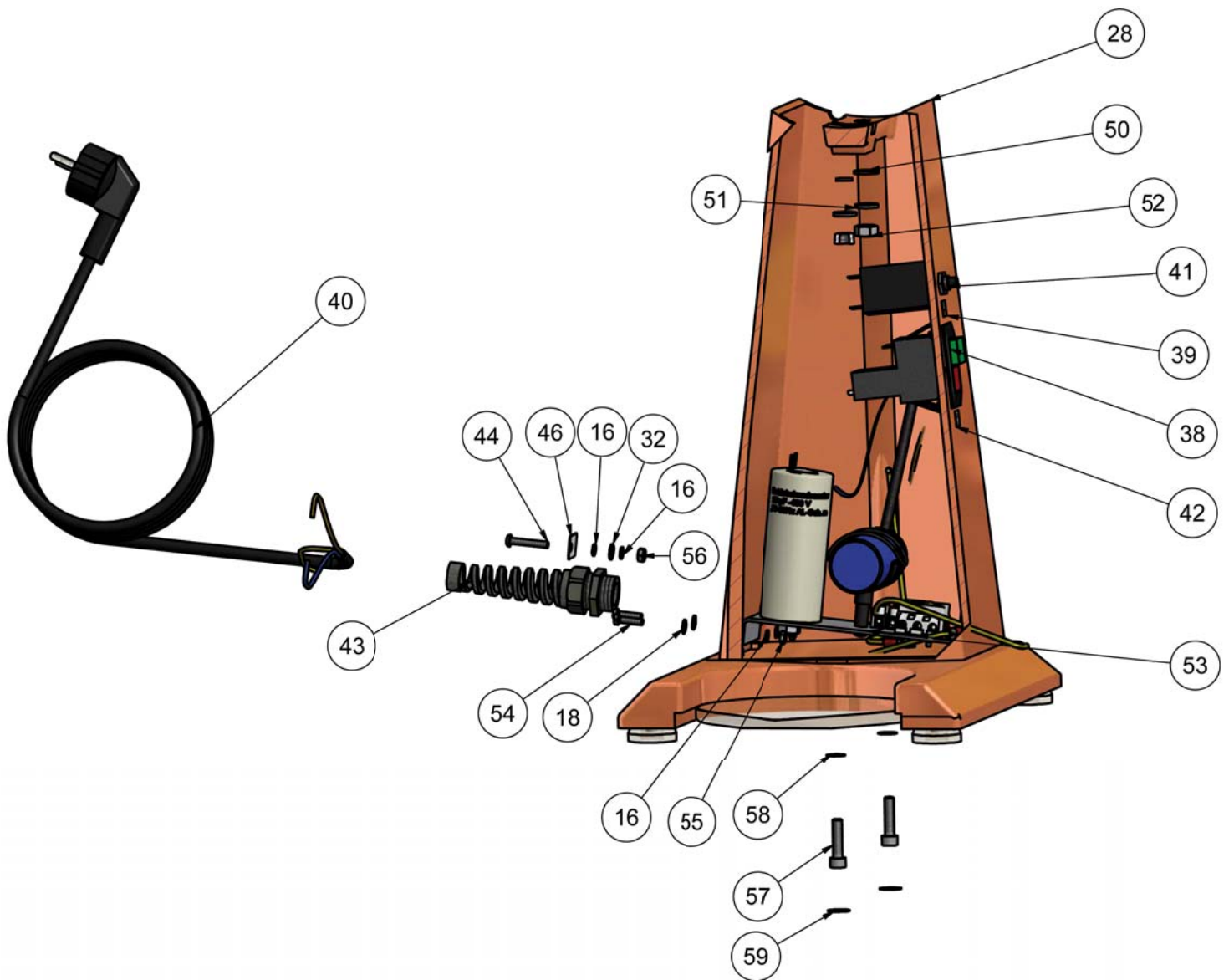
Model: EK 43 230V 50Hz

ARTICLE NO.	DRAWING NO.	DESCRIPTION
306156	30	Grinder housing lid 43 compl. coffee-poppy seed-linseed flank leed
300279	35	Bag holder with spout
305457	62	Adjustment cap complete black EK44
100690	67	Hopper adapter EK43 compl. for K30 hopper
309559	69	Hopper K30 Mahlkönig compl. with lid
311010	70	Seal ring 70x50x2



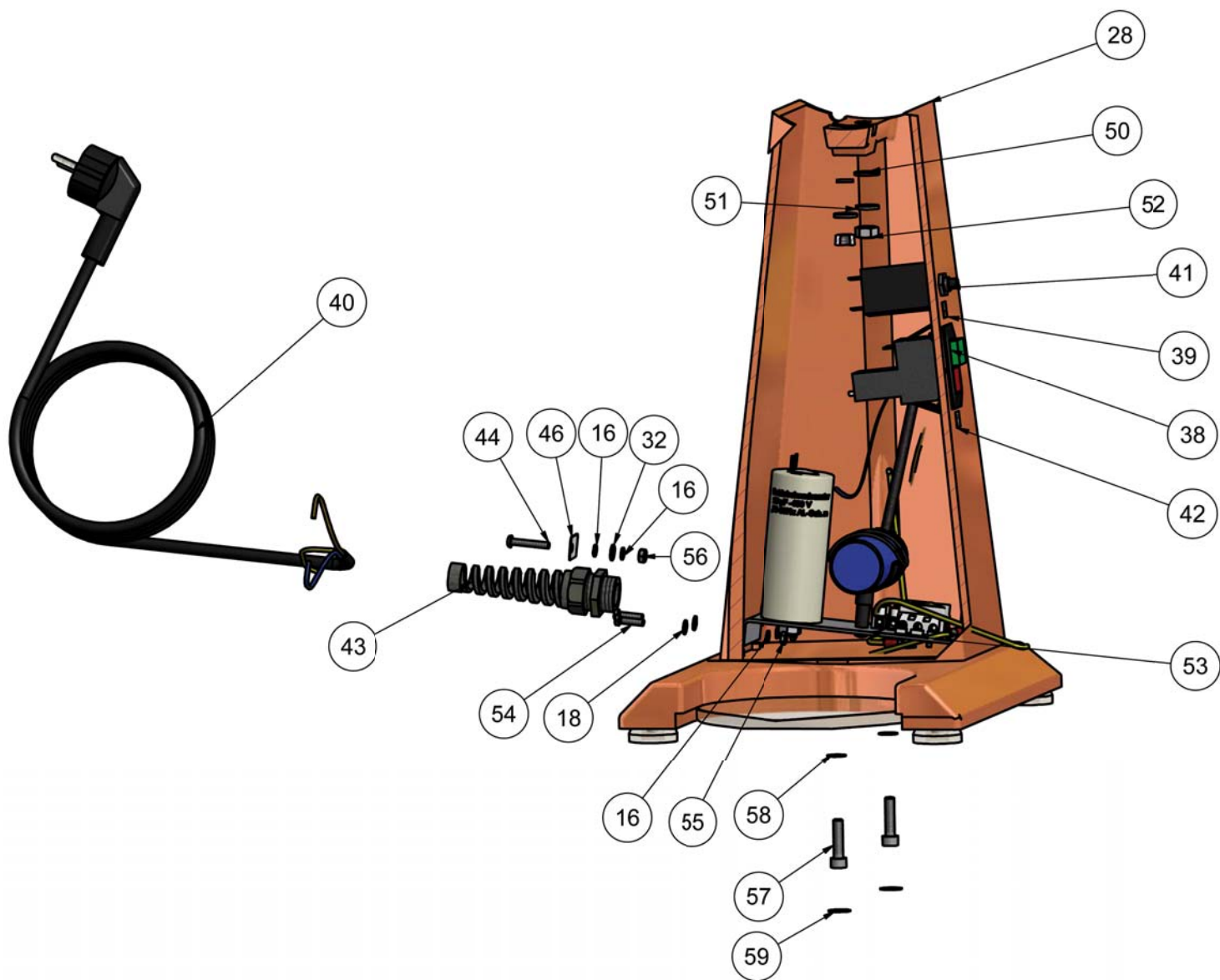
## Model: EK 43 230V 50Hz

ARTICLE NO.	DRAWING NO.	DESCRIPTION
301519	6	head nut M4, zn. M4 - DIN 1587 6 AU VZ
301754	10	retaining ring I42 x 1,75 DIN472A (Seeger)
305515	16	Spring washer DIN127 A4 gal Zn
305647	18	Washer DIN125 A4,3 gal Zn
300222	20	grinder housing K43 alu chill casting alloying 230
300992	21	Felt ring 38/30 x 4 Neu-Filz 219 meliert spez. 0,2
300953	23	distance bush, K43 St. 1.4305 30/18H7 x 18mm
303931	24	Grinding disc set EK43 / EKK43 coffee & spicesr
305578	25	flat head screw DIN85 M5x10 A2
300115	26	pre-breaker for coffee, standard
300681	27	shear plate K43 #AlMg3 1/2-hart #(44 piece/board)



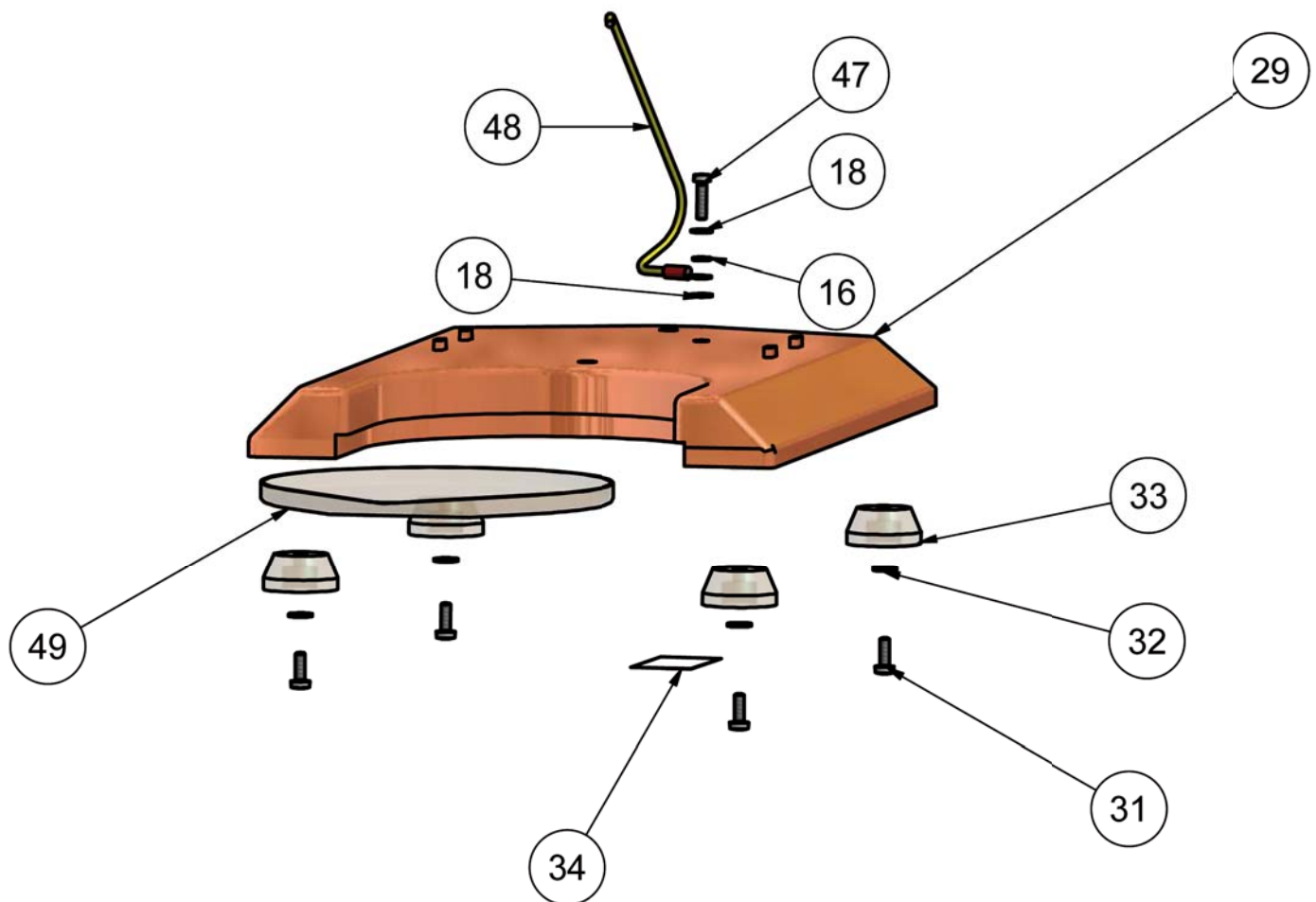
Model: EK 43 230V 50Hz

ARTICLE NO.	DRAWING NO.	DESCRIPTION
305515	16	Spring washer DIN127 A4 gal Zn
305647	18	Washer DIN125 A4,3 gal Zn
300169	28	grand base alu chill casting alloying 231
305648	32	Washer DIN125 A5,3 gal Zn
302375	38	Switch ON - OFF
301817	39	Label I
302025	40	Power cord with plug, 230 V
302223	41	Current overload protection 7A
301818	42	Lable O
301209	43	screwed cable gland PG16, Knickschutzsp. Skintop BS
301182	44	Safety screw 4 x 25 A2 ISO 50500
301876	46	Sign „protective earth“
305650	50	Washer DIN125 A8,4



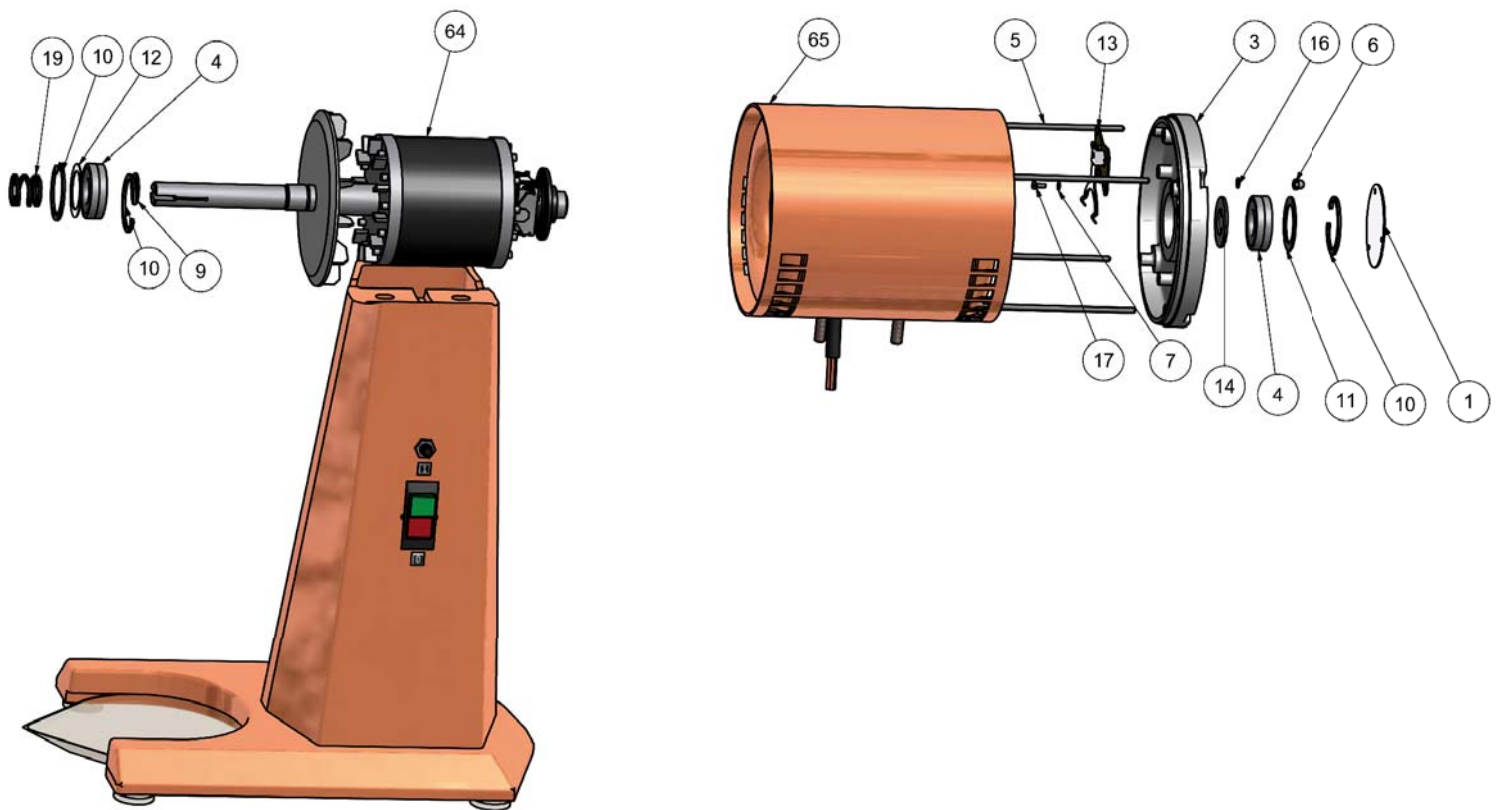
Model: EK 43 230V 50Hz

ARTICLE NO.	DRAWING NO.	DESCRIPTION
301632	51	Spring ring, zn. A8 DIN127
301658	52	hexagon thin nut DIN934 M8 - 8 - VZ
305897	53	mounting plate, with electr. Components 230 V
301356	54	flat head screw M4 x 16 DIN85 4.8
305542	55	nut 6kt EN24 032 (DIN934) M4 6 gal Zn
301636	56	hex nut EN24 032 (DIN934) M5 gal Zn
301386	57	cylinder screw M6 x 25 DIN912 8.8 zn.
301389	58	Spring washer zn. B6 DIN137
301749	59	shim ring 8x14x0,5 DIN988



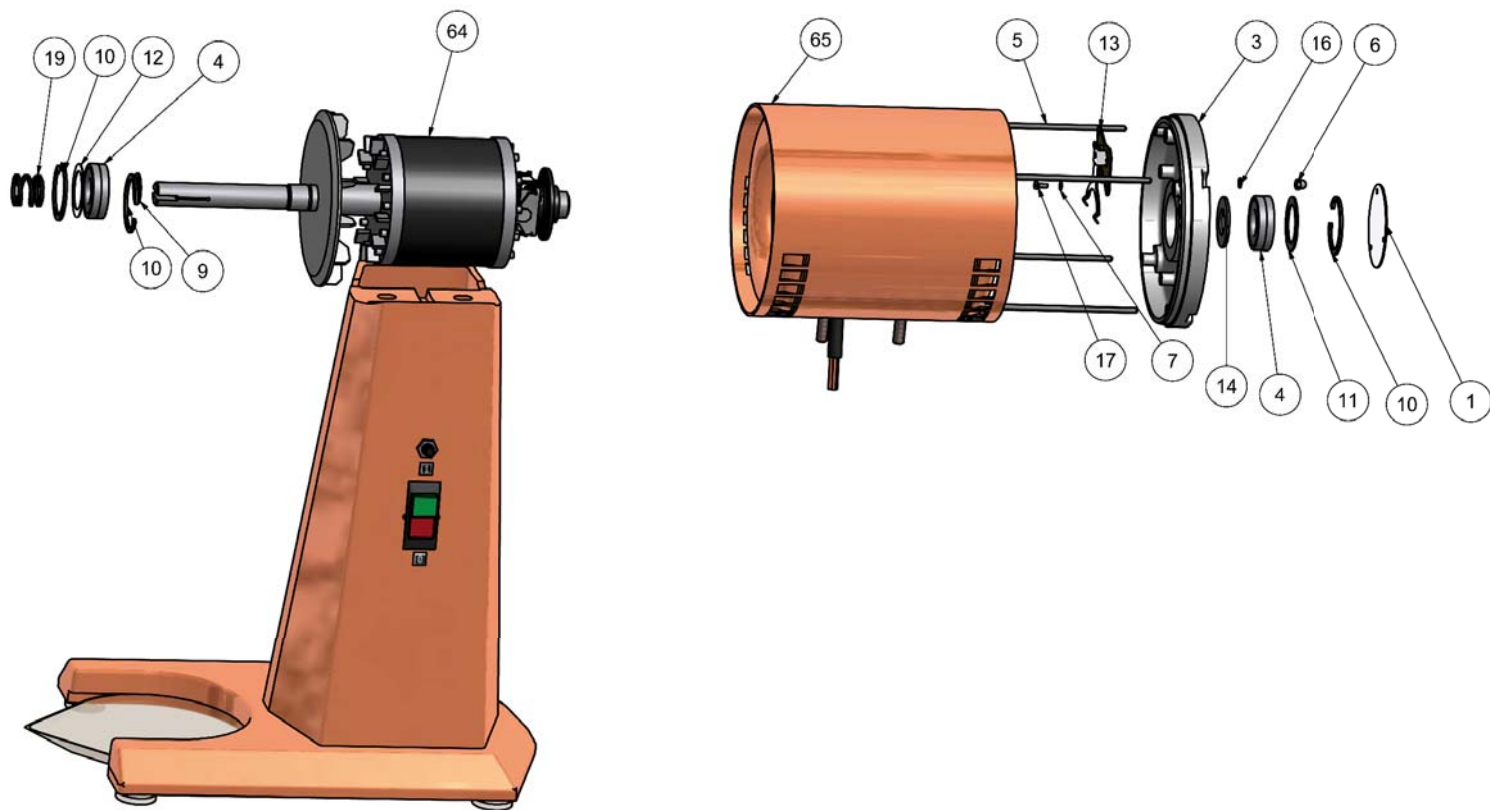
## Model: EK 43 230V 50Hz

ARTICLE NO.	DRAWING NO.	DESCRIPTION
305515	16	Spring washer DIN127 A4 gal Zn
305647	18	Washer DIN125 A4,3 gal Zn
302008	19	pressure spring efv.IV 2,5/24,5x18/3,5 Win.
300172	29	ground plate model 12 05 14 B
301512	31	Fillister head screw M4 x 12 DIN7985 4.8 zn.
305648	32	Washer DIN125 A5,3 gal Zn
302763	33	foot. Plastic
305398	34	„label“ pull power
305615	47	cylinder screw DIN84 M4x16 4.8 gal Zn
302079	48	ground cord 1,00 BetaTherm green/yellow (UL)
300486	49	tray (tinted glass color)



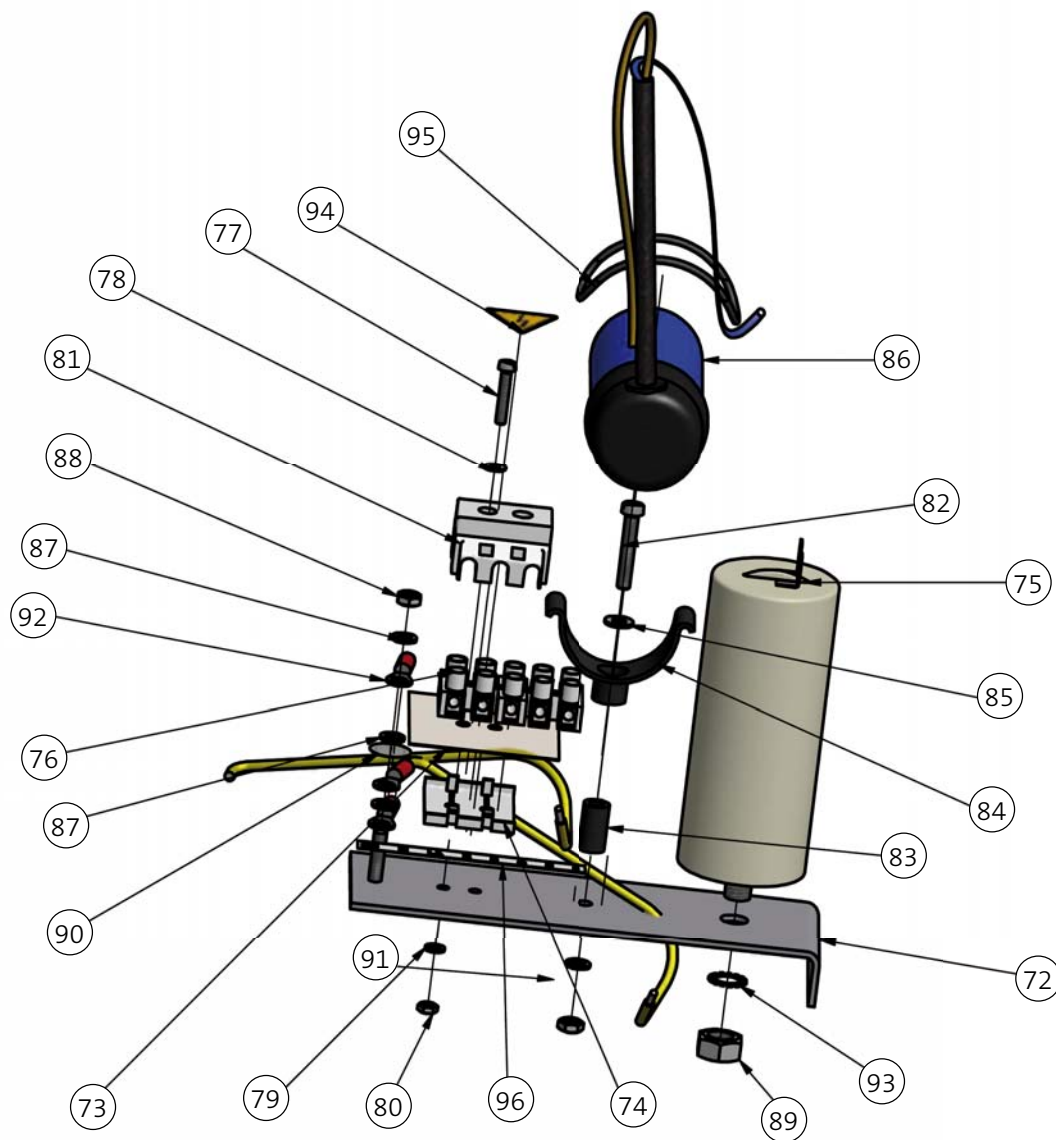
Model: EK 43 230V 50Hz

ARTICLE NO.	DRAWING NO.	DESCRIPTION
300685	1	cover
300220	3	bearing plate K43 painted
301016	4	deep groove ball bearing 6004-ZZ
301515	5	bolt BM4 x 220 DIN976 4.6
301519	6	head nut M4, zn. M4 - DIN 1587 6 AU VZ
301602	7	lock washer DIN127 A3 gal Zn
301691	9	retaining ring A 20 L
301754	10	retaining ring I42 x 1,75 DIN472A (Seeger)
301725	11	shim ring 25x35x0,5 DIN988B (Seeger)
301762	12	compression spacer 30x41x0,5 DIN???
302546	13	centrifugal force switch complete Typ 385CP/50H K43/K33 -
302549	14	ball bearing disc 38,8 x 20 x 2mm #für Elnor-270CI
305515	16	Spring washer DIN127 A4 gal Zn



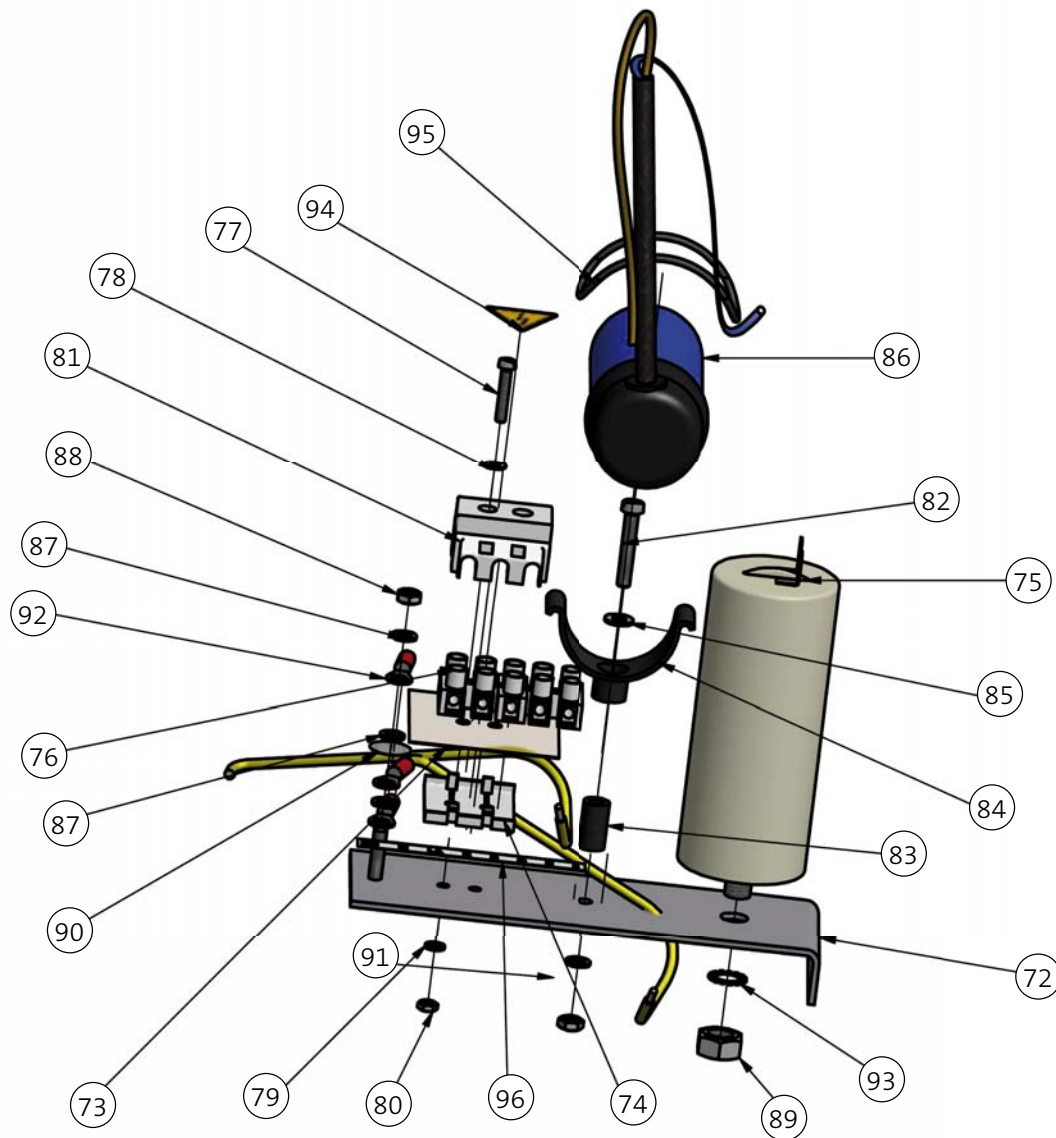
Model: EK 43 230V 50Hz

ARTICLE NO.	DRAWING NO.	DESCRIPTION
305612	17	cylinder screw DIN84 M3x8 4.8 gal Zn
302008	19	pressure spring efv.IV 2,5/24,5x18/3,5 Win.
302591	64	Teilemotor mitBolzen M8, 385CP 230V/50Hz K43
302591	65	Teilemotor mitBolzen M8, 385CP 230V/50Hz K43



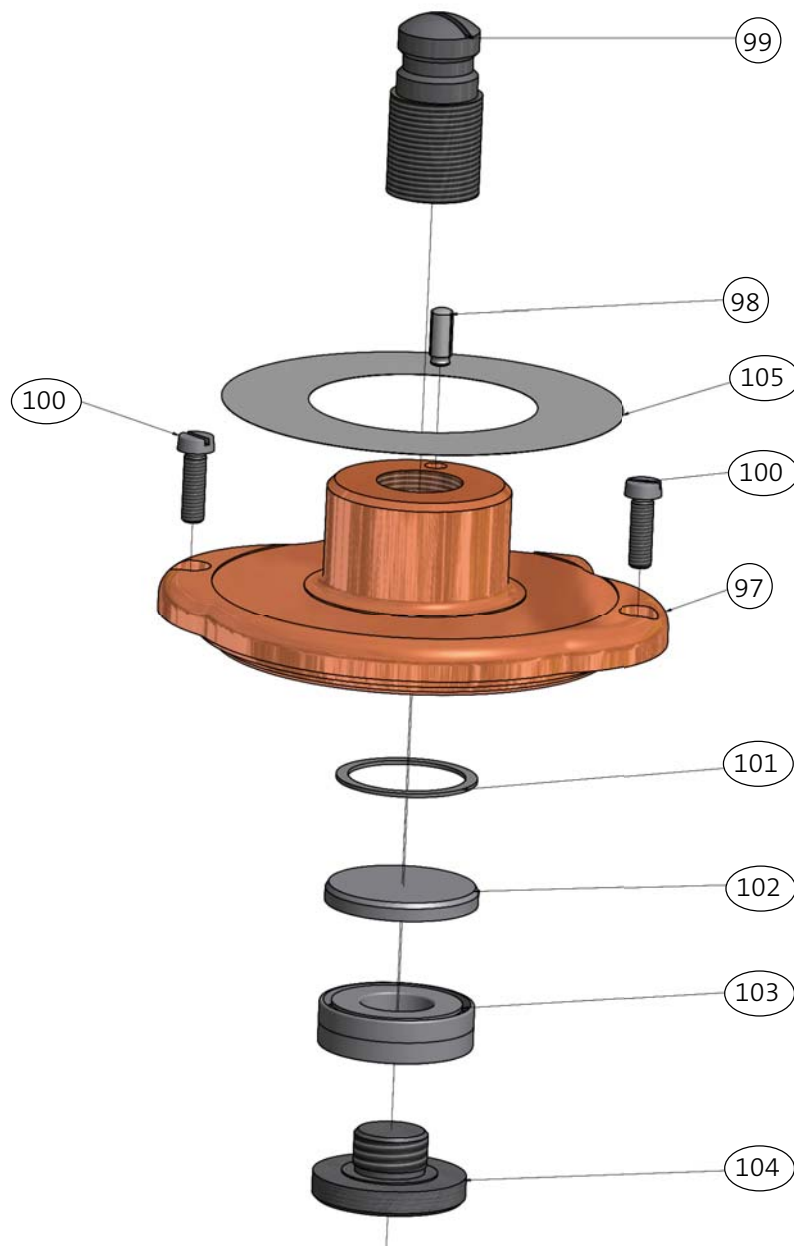
## Model: EK 43 230V 50Hz

ARTICLE NO.	DRAWING NO.	DESCRIPTION
303829	72	mounting plate K43
302176	73	Isolation piece
302497	74	base plate B 323/03 Id.-Nr. 200033 #for Klemmleis
302309	75	Running capacitor 25 $\mu$ F-450 V,50-60Hz
302460	76	terminal strip-PA 323/ HDS/08, 8-pol.
301277	77	cylinder screw M3 x 18 DIN84 #4.8 zn
305644	78	washer DIN125 A3,2 gal Zn
301602	79	lock washer DIN127 A3 gal Zn
305541	80	nut 6kt EN24 032 (DIN934) M3 6 gal Zn
302498	81	cover cap A 323/03 Id.-Nr. 200034 for Klemmleis
301463	82	Flat head screw M4x25
300964	83	distance roll Polystyrol black 4,5/D 8,0
302749	84	fixing dip C3 #Polyamid 6, black



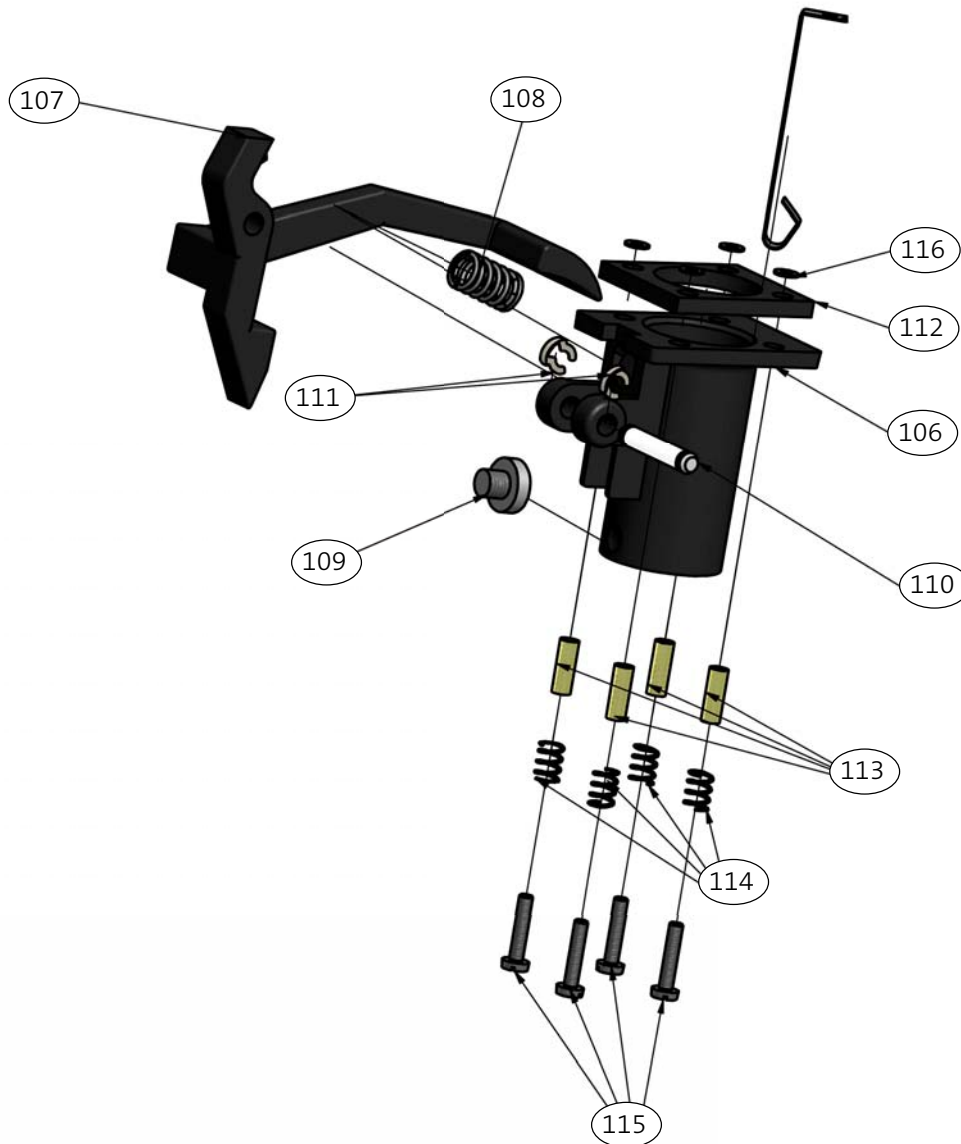
## Model: EK 43 230V 50Hz

ARTICLE NO.	DRAWING NO.	DESCRIPTION
305647	85	Washer DIN125 A4,3 gal Zn
302204	86	Starting capacitor 180 $\mu$ F
305515	87	Spring washer DIN127 A4 gal Zn
305542	88	nut 6kt EN24 032 (DIN934) M4 6 gal Zn
301658	89	hexagon thin nut DIN934 M8 - 8 - VZ
301825	90	ground label Nr. 015.321 #dry pic D=12"
302079	91	ground cord 1,00 BetaTherm green/yellow (UL)
302477	92	cable lug, ring RSQ 7153 o.Iso. A 4-1
307033	93	serrated lock washer M8 DIN 6798A zinc-plated
301900	94	electrical security label 23,7 x 20,5 mm dry-transfer
302750	95	strap R6 PVC black
301966	96	marking lable PE N L1



Model: EK 43 230V 50Hz

ARTICLE NO.	DRAWING NO.	DESCRIPTION
300224	97	grinding housing lid 43 coffee-poppy seed & linseed
301247	98	notched pin 6 x 16 DIN1470 9SMnPb28K,
300950	99	grind adjustment spindle K33 (Niro) #M25x 0,7
305621	100	cylinder screw DIN84 M6x20 4.8 gal Zn
301758	101	washer St.2K,
300945	102	thrust washer 9S20K 37,5 x 41,5 x 5mm
301016	103	deep groove ball bearing 6004-ZZ
300949	104	ball bearing seat K33 9S20K blk. 41,5x19m D=41,5x19
301948	105	Skalenschild Grob-Fein Folie 109 x 0,1mm



Model: EK 43 230V 50Hz

ARTICLE NO.	DRAWING NO.	DESCRIPTION
300278	106	spout
300280	107	handle #Ultramid PA black #(B3K/4
302008	108	pressure spring efv.IV 2,5/24,5x18/3,5 Win.
302741	109	Rubber buffer, black
300915	110	cylinder pin #8h11x45mm,mit2 Nuten #beidseitig ge
301190	111	Fuse
302803	112	outfeed stuffing, black #60x52/4+1,0 D
300880	113	Bush 20mm
301988	114	spiral spring 9,5x13,0 #Federst. Kl.II
305583	115	Flat head screw DIN85 M5x25 4.8 gal Zn
305647	116	Washer DIN125 A4,3 gal Zn

Changes In The Spare Parts List:

VALID FROM SERIAL NO.	ARTICLE NO.	DRAWING NO.	DESCRIPTION	COMMENT
1.2	100690	67	Hopper adapter EK43 compl. for K30 hopper	Available as a set only
1.2	309559	69	Hopper K30 Mahlkönig compl. with lid	Available as a set only (hopper + lid)
1.2	300278	106	Spout	Spout only
1.3	303931	24	Grinding disc set EK43 / EKK43 coffee & spices	Set with both discs and screws