



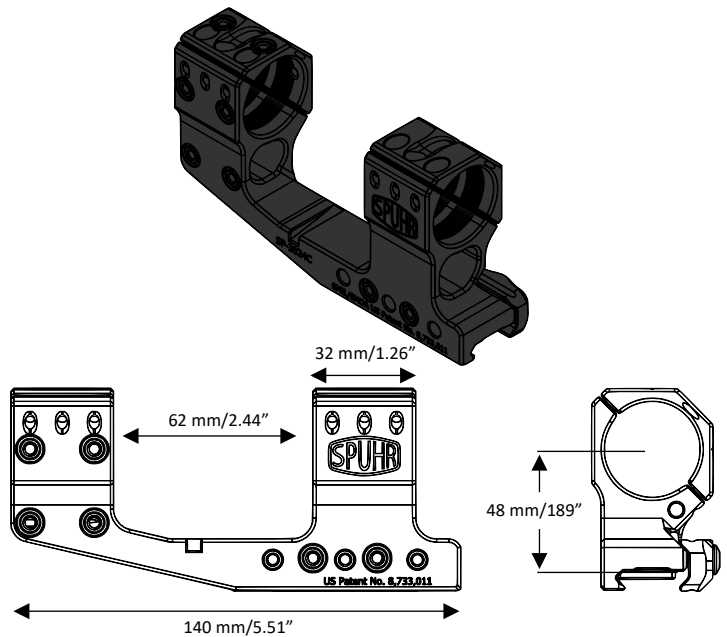
SP-3024C

Cantilever Mount \varnothing 30 H48mm/1.89" 0MIL PIC Gen3

Extended Height Cantilever Mount

Rings: 30 mm
Tilt: 0 MIL/MOA
Height: 48 mm/1.89"
Length: 140 mm/5.51"
Weight: 260 g/9.2 oz
Interfaces: 7 sets
EAN: 7340150702052

The **IDEAL SCOPE MOUNT SYSTEM** series of mounts feature **seven set of interfaces to attach any of more than 40 different accessories**. The rings are diagonally cut for increased visibility of the elevation and windage turrets (US Patent 8,733,011).



The mounts are machined from billet 7000-series aluminum and all aluminum parts are hardcoat anodized. The Torx 20 ring and clamping screws are zinc-nickel coated for corrosion resistance and come pre-waxed from the factory to ensure proper torque values.

The mount is shipped with a manual and a "wedge" leveling key.

NOTE:

The SP-3024C was designed for applications where an extended height cantilever mount is needed, such as when aiming over an illuminator or when aligning with high night vision devices. This mount will also work well for shooter who want to keep their head up for maximum situational awareness.

The SP-3024C will fit most 30 mm scope tubes except for scopes with extended erector housings, such as the US Optics TPAL/EREK. This mount was designed for use on AR-15 carbines and does not align with back-up iron sights. Due to the extreme cantilever, the SP-3024C does not feature a bubble level as the rest of the ISMS series do.

CONTACT

Spuhr i Dalby AB

Phone: +46 46 712 012

Web: www.spuhr.com

Address:

Terminalvägen 19

SE-246 42 Löddeköpinge

Sweden