

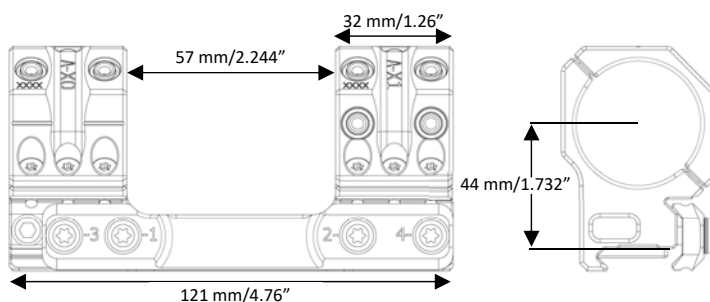


SA-4908

Scope Mount Ø34 H44mm/1.732" 9MIL AI

Direct mount for use on legacy Accuracy International rifles with 11 mm dovetail

Rings: 34 mm
Tilt: 9 MIL/30 MOA
Height: 44 mm/1.732"
Length: 121 mm/4.76"
Weight: 240 g/8.5 oz
Interfaces: 7 sets
EAN: 7340150700058



The **IDEAL SCOPE MOUNT SYSTEM** series of mounts feature **seven set of interfaces to attach any of more than 40 different accessories**, and has a bubble level integrated in the rear plane of the mount body to prevent canting of the rifle. The rings are diagonally cut for increased visibility of the elevation and windage turrets (US Patent 8,733,011).

The mounts are machined from billet 7075 T651 aluminum and all aluminum parts are hardcoat anodized. The Torx 20 ring and clamping screws are zinc-nickel coated for corrosion resistance. The screws come pre-waxed from the factory to ensure proper torque values.

The mount is shipped with a manual and a "wedge" leveling key.

NOTE:

The SA-4908 is designed for use with night vision equipment on legacy Accuracy International rifles with 11 mm dovetails instead of MIL-STD-1913 or STANAG 4694 rails. The SA-4908 will fit most 34 mm scope tubes except for scopes with extended erector housings, such as the US Optics TPAL/EREK and the Nightforce BEAST.

CONTACT

Spuhr i Dalby AB

Phone: +46 46 712 012

Web: www.spuhr.com

Address: Terminalvägen 19
SE-246 42 Löddeköpinge
Sweden