



# SCP-4001A

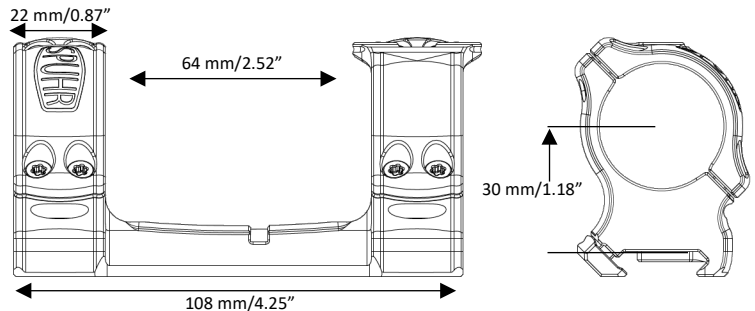
## Aesthetic Mount Ø34 H30mm/1.18" 0MIL PIC

Picatinny mount for use on bolt action rifles

Rings: 34 mm  
Tilt: 0 MIL/MOA  
Height: 30 mm/1.18"  
Length: 108 mm/4.25"  
Weight: 140 g/4.9 oz  
Interfaces: 0 sets  
EAN: 7340150712280



The Spuhr® Hunting Series of mounts features the diagonally cut rings of the Spuhr® Ideal Scope Mount System (ISMS™, US Patent 8,733,011) and implements them into a lightweight and aesthetically more pleasing mounting solution for the hunting market.



The SCP-4001A Aesthetic Mount features two **Classic Top Covers**, for a more traditional look and for those who have not need for attaching accessories to their mounts.

The mounts are machined from billet 7000 series aluminum and all aluminum parts are hardcoat anodized. The Torx 20 ring and clamping screws are zinc-nickel coated for corrosion resistance and come pre-waxed from the factory to ensure proper torque values. Furthermore, the SCP-series of Hunting Mounts can be installed for either right-handed or left-handed use.

The mount is shipped with a manual and a "wedge" leveling key.

### NOTE:

The SCP-4001A is designed for use on rifles with MIL-STD-1913 or Weaver one-piece rails. The SCP-4001A will fit most 34 mm scope tubes except for scopes with extended erector housings, such as the Nightforce B.E.A.S.T. or the US Optics TPAL/EREK.

CONTACT

Spuhr i Dalby AB

Phone: +46 46 712 012

Web: [www.spuhr.com](http://www.spuhr.com)

Address: Terminalvägen 19  
SE-246 42 Löddeköpinge  
Sweden