



SP-61602

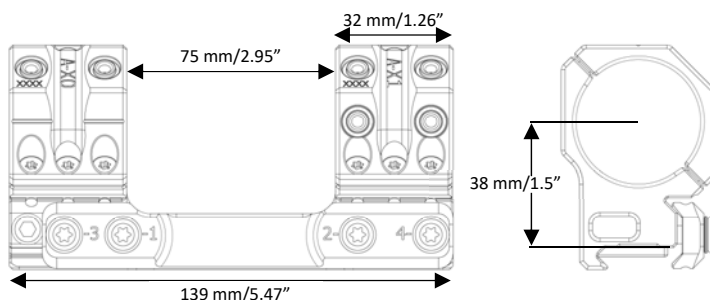
Scope Mount Ø36 H38mm/1.5" 16MIL PIC

Picatinny mount for use with NV Equipment

Rings: 36 mm
Tilt: 16 MIL/55 MOA
Height: 38 mm/1.5"
Length: 139 mm/5.47"
Weight: 272 g/9.6 oz
Interfaces: 7 sets
EAN: 7340150700508



The **IDEAL SCOPE MOUNT SYSTEM** series of mounts feature **seven set of interfaces** to **attach any of more than 40 different accessories**. The rings are diagonally cut for increased visibility of the elevation and windage turrets (US Patent 8,733,011).



The mounts are machined from billet 7075

T651 aluminum and all aluminum parts are hardcoat anodized. The Torx 20 ring and clamping screws are zinc-nickel coated for corrosion resistance. The screws come pre-waxed from the factory to ensure proper torque values.

The mount is shipped with a manual and a "wedge" leveling key.

NOTE:

The SP-61602 is designed for use 56 mm objectives on rifles with MIL-STD-1913 or STANAG 4694 rails, and is especially suitable for extended Picatinny rails combined with night vision equipment. The SP-61602 does not feature a bubble level as the rest of the ISMS series.

CONTACT

Spuhr i Dalby AB

Phone: +46 46 712 012

Web: www.spuhr.com

Address: Terminalvägen 19
SE-246 42 Löddeköpinge
Sweden