



SCT-3001A

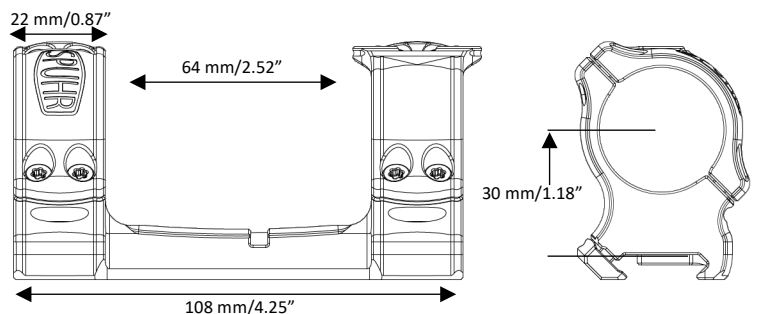
Aesthetic Mount Ø30 H30mm/1.18" 0MIL TRG

Unimount for Tikka T3/T3x rifles

Rings: 30 mm
Tilt: 0 MIL/MOA
Height: 30 mm/1.18"
Length: 108 mm/4.25"
Weight: 152 g/5.4 oz
Interfaces: None
EAN: 7340150712112



The Spuhr® Hunting Series of mounts features the diagonally cut rings of the Spuhr® Ideal Scope Mount System (ISMS™, US Patent 8,733,011) and implements them into a lightweight and aesthetically more pleasing mounting solution for the hunting market.



The SCT-3001 Hunting Mount features two **Classic Top Covers**, for a more traditional look and for those who have no need for attaching accessories to their mounts.

The mounts are machined from billet 7000 series aluminum and all aluminum parts are hardcoat anodized. The Torx 20 ring and clamping screws are zinc-nickel coated for corrosion resistance and come pre-waxed from the factory to ensure proper torque values. The SCT-series feature an adjustable recoil lug for proper eye-relief.

The mount is shipped with a manual and a "wedge" leveling key.

NOTE:

The SCT-3001A is designed for use on rifles with SAKO TRG 22/42 and Tikka T3x dovetails and not for rifles with Picatinny rails. The SCT-3001A will fit most 30 mm scope tubes except for scopes with extended erector housings, such as the US Optics TPAL/EREK.

CONTACT

Spuhr i Dalby AB

Phone: +46 46 712 012

Web: www.spuhr.com

Address: Terminalvägen 19
SE-246 42 Löddeköpinge
Sweden