



# SP-4302

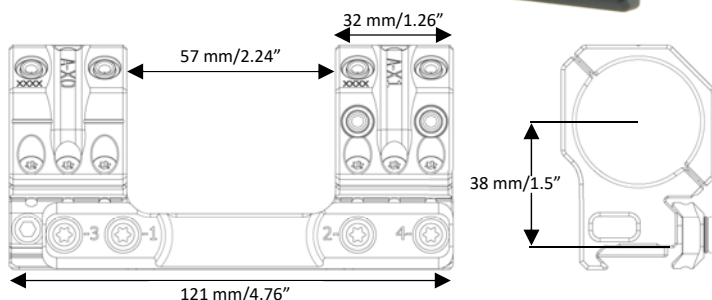
## Scope Mount Ø34 H38mm/1.5" 3MIL PIC

Picatinny mount for use with NV Equipment

Rings: 34 mm  
Tilt: 3 MIL/10 MOA  
Height: 38 mm/1.5"  
Length: 121 mm/4.76"  
Weight: 256 g/9.0 oz  
Interfaces: 7 sets  
EAN: 7340150700294



The **IDEAL SCOPE MOUNT SYSTEM** series of mounts feature **seven set of interfaces** to **attach any of more than 40 different accessories**, and has a bubble level integrated in the rear plane of the mount body to prevent canting of the rifle. The rings are diagonally cut for increased visibility of the elevation and windage turrets (US Patent 8,733,011).



The mounts are machined from billet 7075 T651 aluminum and all aluminum parts are hardcoat anodized. The Torx 20 ring and clamping screws are zinc-nickel coated for corrosion resistance. The screws come pre-waxed from the factory to ensure proper torque values.

The mount is shipped with a manual and a "wedge" leveling key.

### NOTE:

The SP-4302 is designed for use with 56 mm objectives on rifles with MIL-STD-1913 or STANAG 4694 rails, and is especially suitable for extended Picatinny rails combined with night vision equipment. The SP-4302 will fit most 34 mm scope tubes except for scopes with extended erector housings, such as the US Optics TPAL/EREK and the Nightforce BEAST.

CONTACT

Spuhr i Dalby AB

Phone: +46 46 712 012

Web: [www.spuhr.com](http://www.spuhr.com)

Address: Terminalvägen 19  
SE-246 42 Löddeköpinge  
Sweden