



# SP-4011

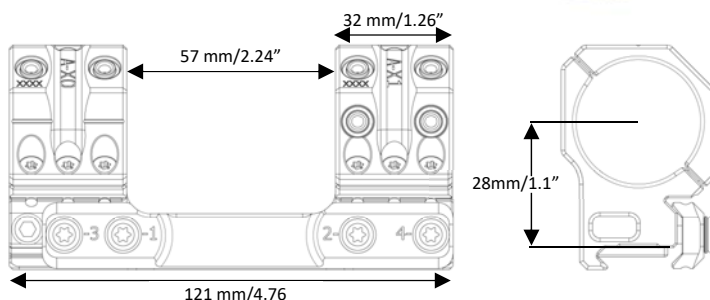
## Scope Mount Ø34 H28mm/1.1" 0MIL PIC

### "The GA Precision Mount"

Rings: 34 mm  
Tilt: 0 MIL/MOA  
Height: 28 mm/1.1"  
Length: 121 mm/4.76"  
Weight: 231 g/8.1 oz  
Interfaces: 7 sets  
EAN: 7340150700249



The **IDEAL SCOPE MOUNT SYSTEM** series of mounts feature **seven set of interfaces** to **attach any of more than 40 different accessories**, and has a bubble level integrated in the rear plane of the mount body to prevent canting of the rifle. The rings are diagonally cut for increased visibility of the elevation and windage turrets (US Patent 8,733,011).



The mounts are machined from billet 7075 T651 aluminum and all aluminum parts are hardcoat anodized. The Torx 20 ring and clamping screws are zinc-nickel coated for corrosion resistance. The screws come pre-waxed from the factory to ensure proper torque values.

The mount is shipped with a manual and a "wedge" leveling key.

### NOTE:

Designed to be used with Bushnell and S&B 3-12 and 4-16 scopes. Will not work with scopes like the S&B 5-25 or 3-20, Kahles k624i, US Optics TPAL/EREK or Nightforce BEAST. Suitable for bolt action rifles with 1-piece Picatinny rails. A 5<sup>th</sup> clamping screw allows the mount to be mounted in a slight cantilever position.

CONTACT

Spuhr i Dalby AB

Phone: +46 46 712 012

Web: [www.spuhr.com](http://www.spuhr.com)

Address: Terminalvägen 19  
SE-246 42 Löddeköpinge  
Sweden