

PARALLEL

120 X 60

ASSEMBLY INSTRUCTION

WOU

**When designing the Parallel coffee table,
I drew inspiration from the display showcases
found in museums and the idea of how these
could be adapted for a domestic environment.
By leveraging glass, the space between the
horizontal planes serves as an exhibition
area for everyday objects. It is like having
your own personal museum display case at
home.**

A handwritten signature in black ink, consisting of a large, rounded loop at the top, followed by several smaller, overlapping loops and a long horizontal line extending to the right.

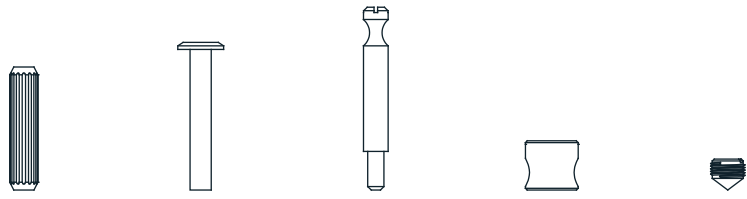
MAGNUS PETERSEN

THIS MANUAL IS VALID FOR:

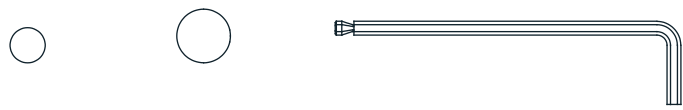
PARALLEL COFFEE TABLE 120 x 60

ASSEMBLY INSTRUCTION

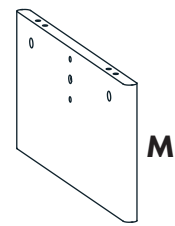
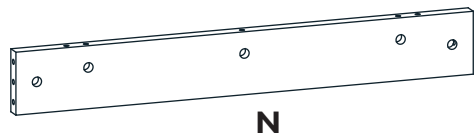
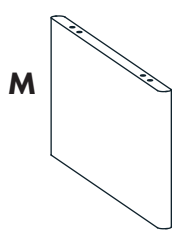
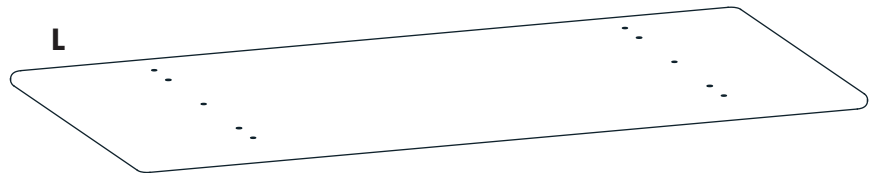
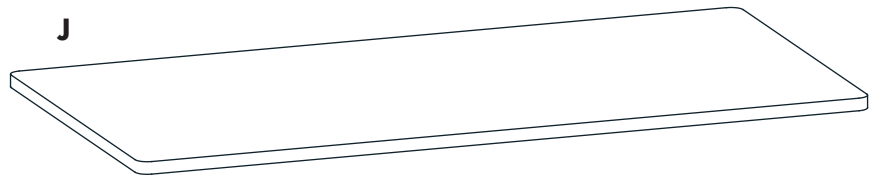
**PLEASE GO THROUGH THE FOLLOWING
STEPS CAREFULLY. RETAIN THIS MANUAL
FOR FUTURE REFERENCE TO ENSURE THAT
YOUR NEW ITEM IS CORRECTLY ASSEMBLED
IN CASE IT SHOULD BE DISASSEMBLED OR
MOVED. WE ARE NOT RESPONSIBLE FOR
ANY FAULTS OR DAMAGES CAUSED BY
NOT FOLLOWING THESE INSTRUCTIONS
CORRECTLY.**



A X 14 B X 6 C X 9 D X 9 E X 9



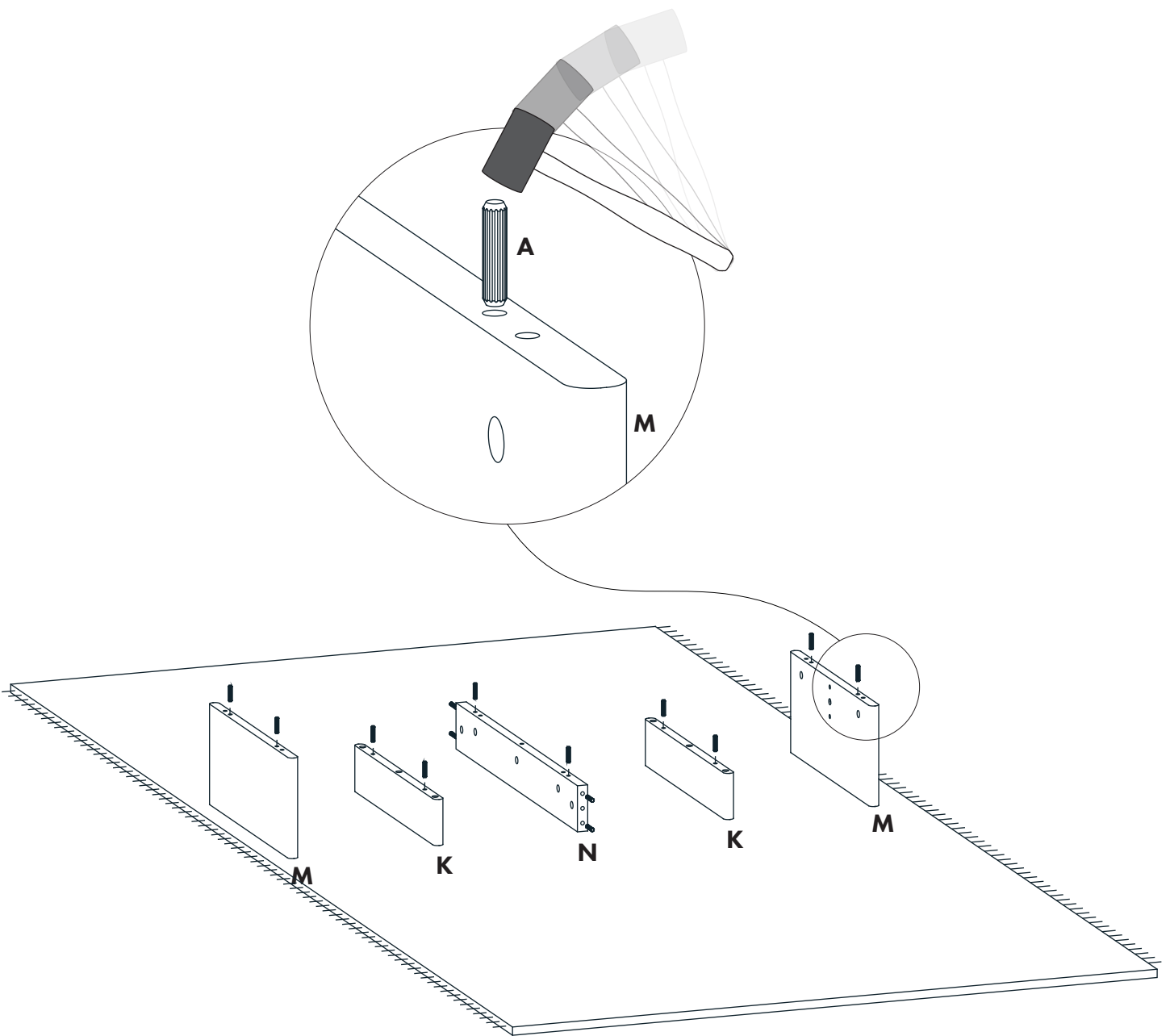
F X 4 G X 4 H X 1



STEP 1

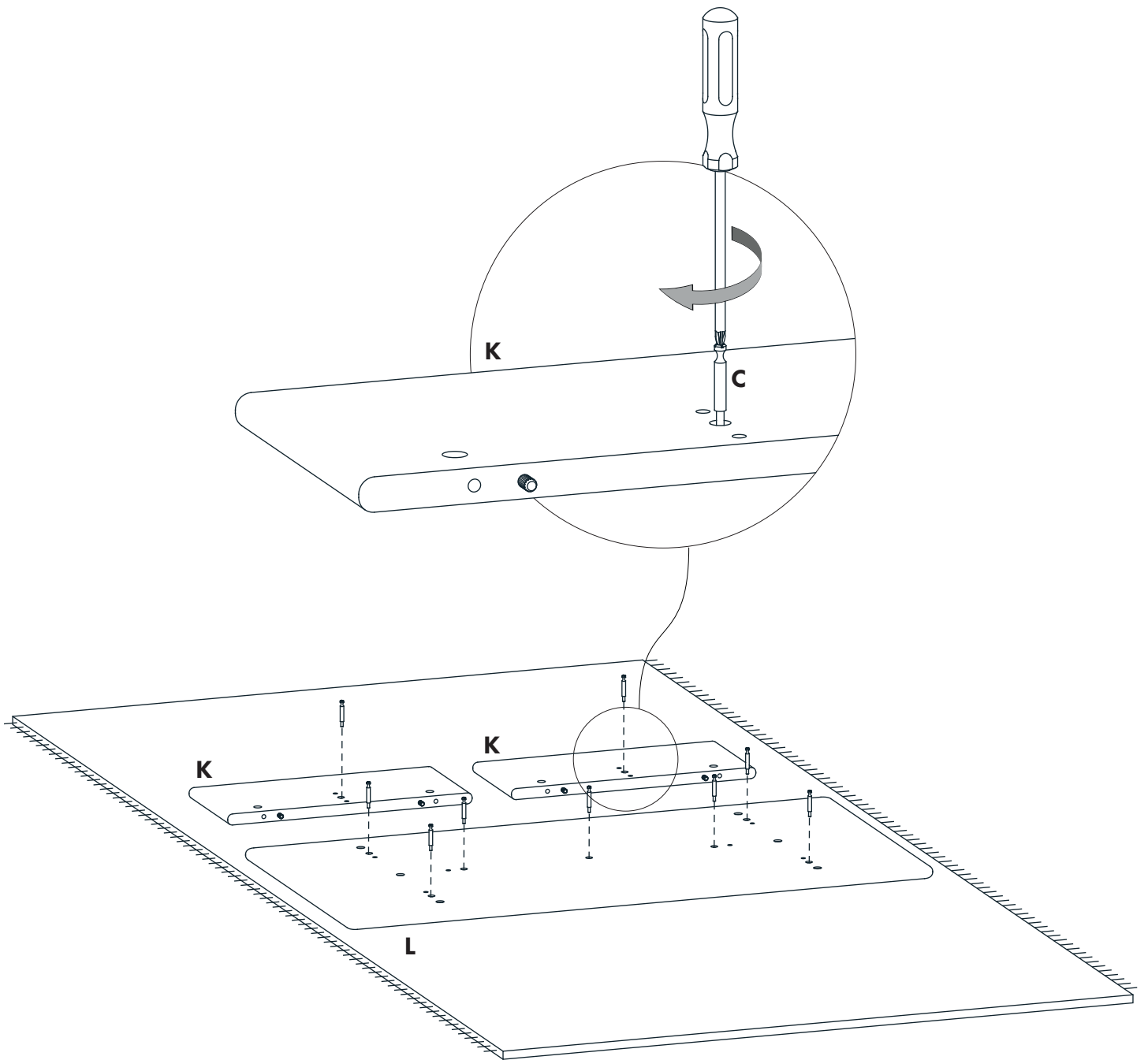
PLACE THE WOODEN DOWELS TO THE LEG PANELS, VERTICAL SUPPORTS AND CROSS RAILS BY USING A SOFT Mallet.

PLEASE ASSEMBLE THE PRODUCT ON A SOFT CARPET OR RUG.



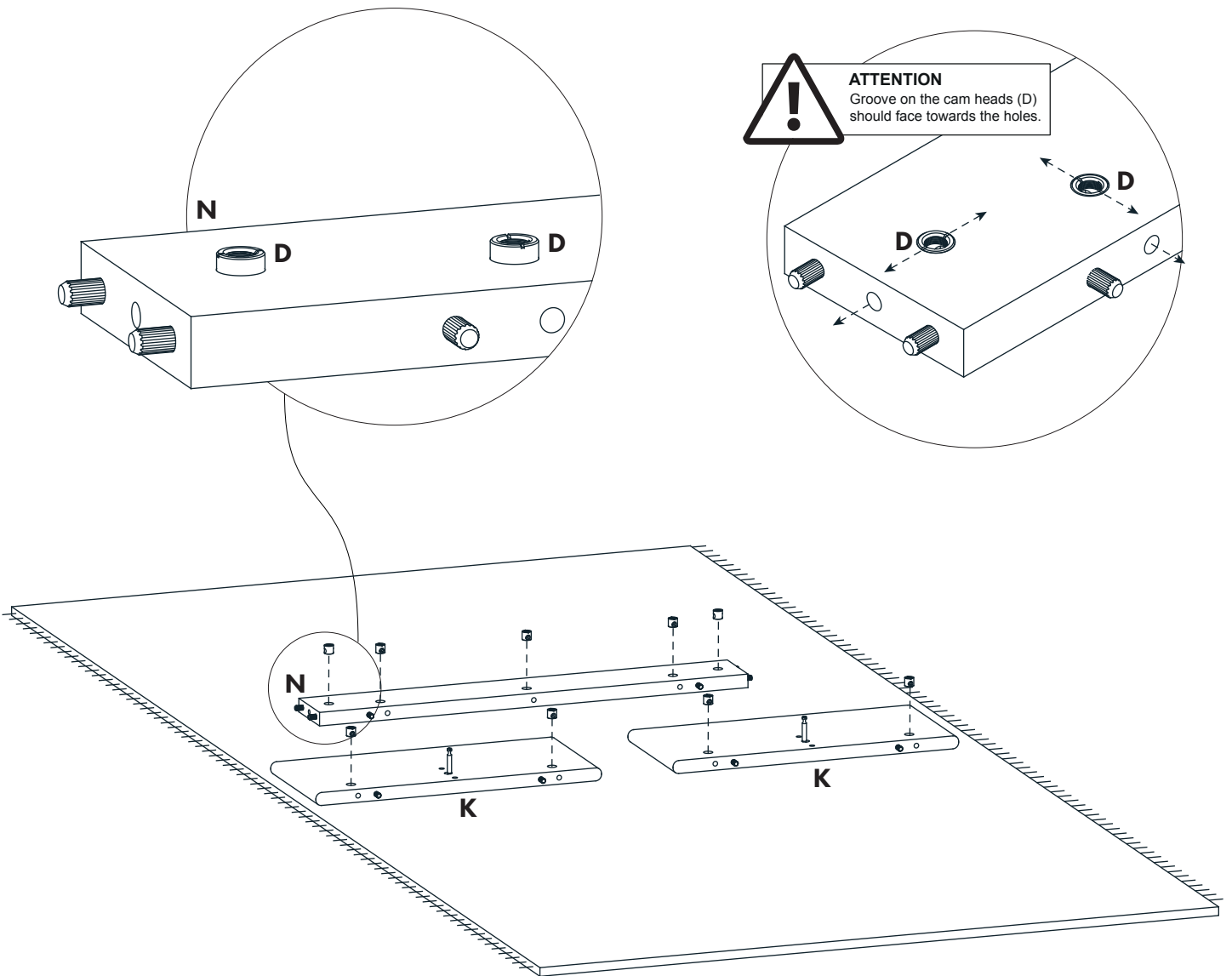
STEP 2

FIX THE CAM RODS ONTO THE VERTICAL SUPPORTS AND MIDDLE PANEL BY USING A SCREWDRIVER.



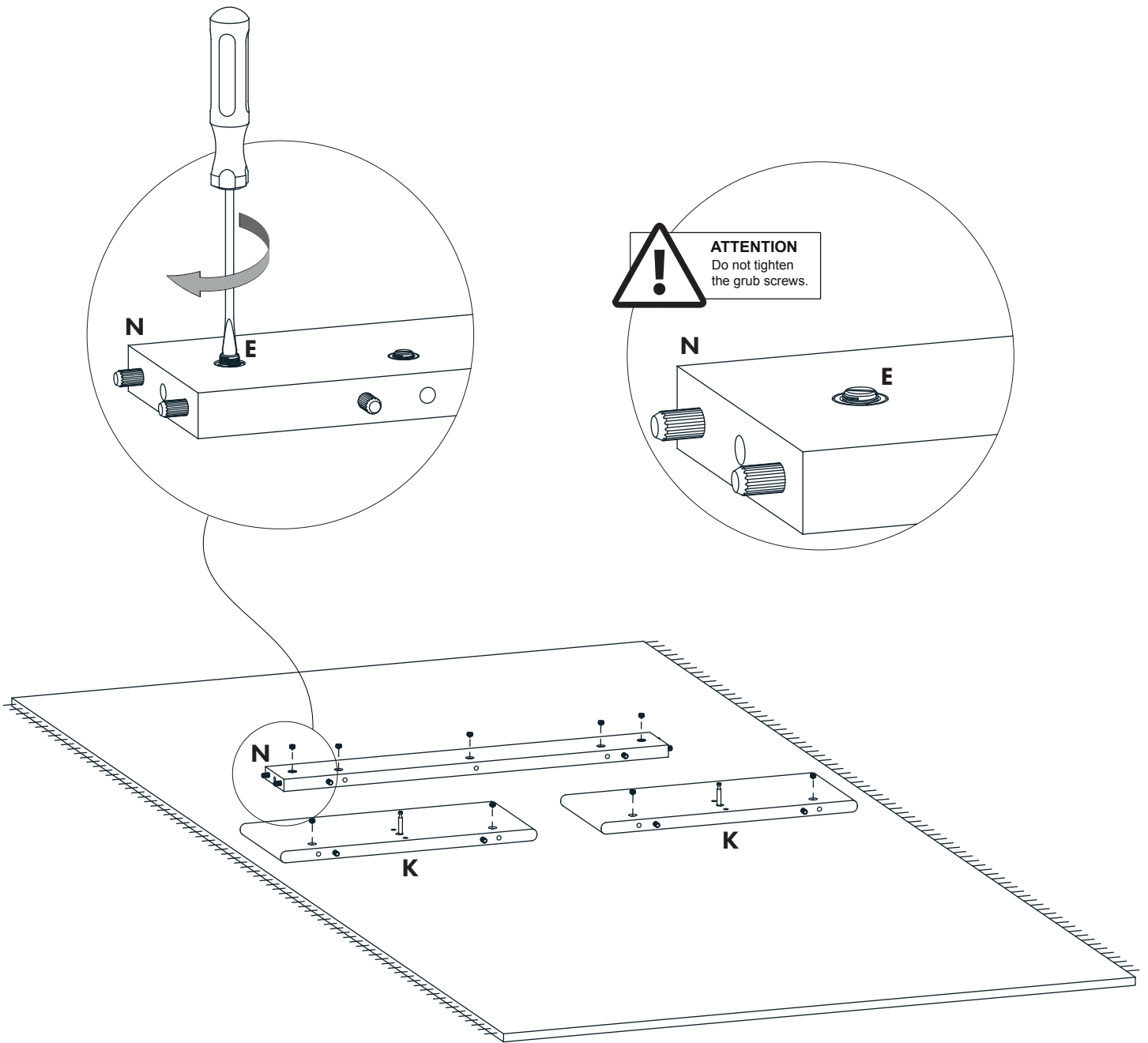
STEP 3

PLACE THE CAM HEADS INTO THE VERTICAL SUPPORTS AND CROSS RAIL.



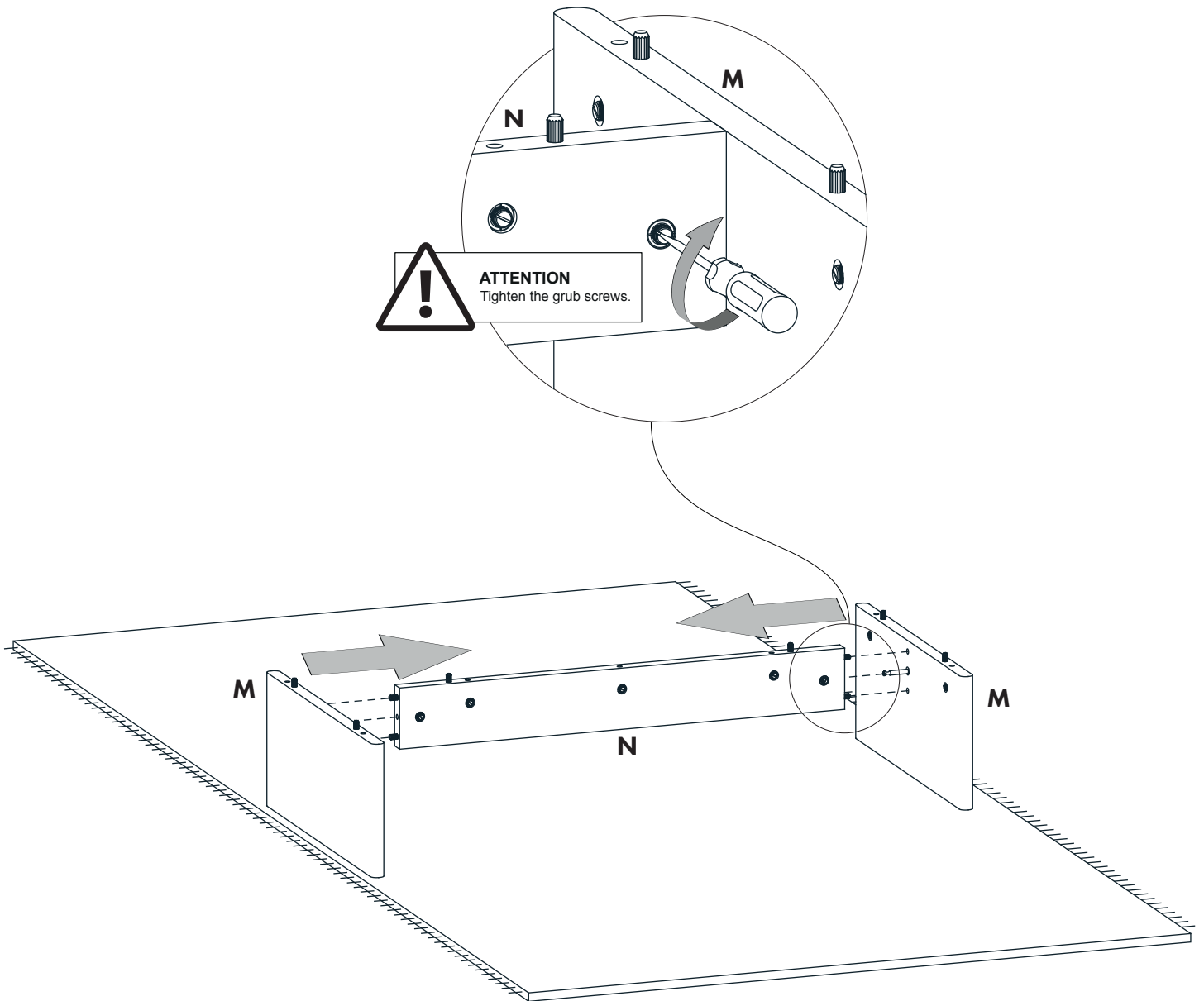
STEP 4

FIX THE GRUB SCREWS INTO THE CAM HEADS SLIGHTLY
BY USING A SCREWDRIVER.



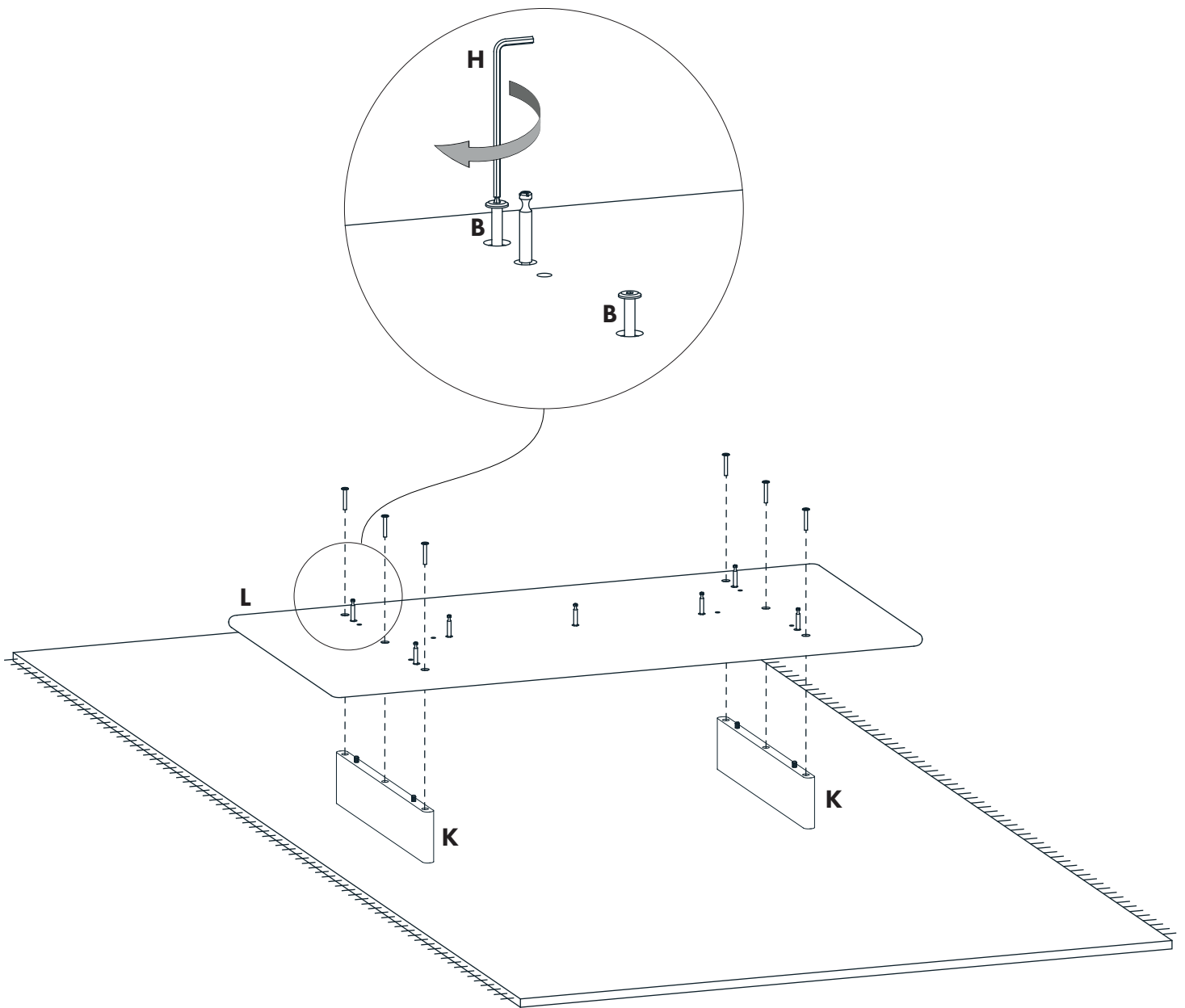
STEP 5

ATTACH THE LEG PANELS TO CROSS RAIL AND
TIGHTEN THE GRUB SCREWS BY USING A SCREWDRIVER.



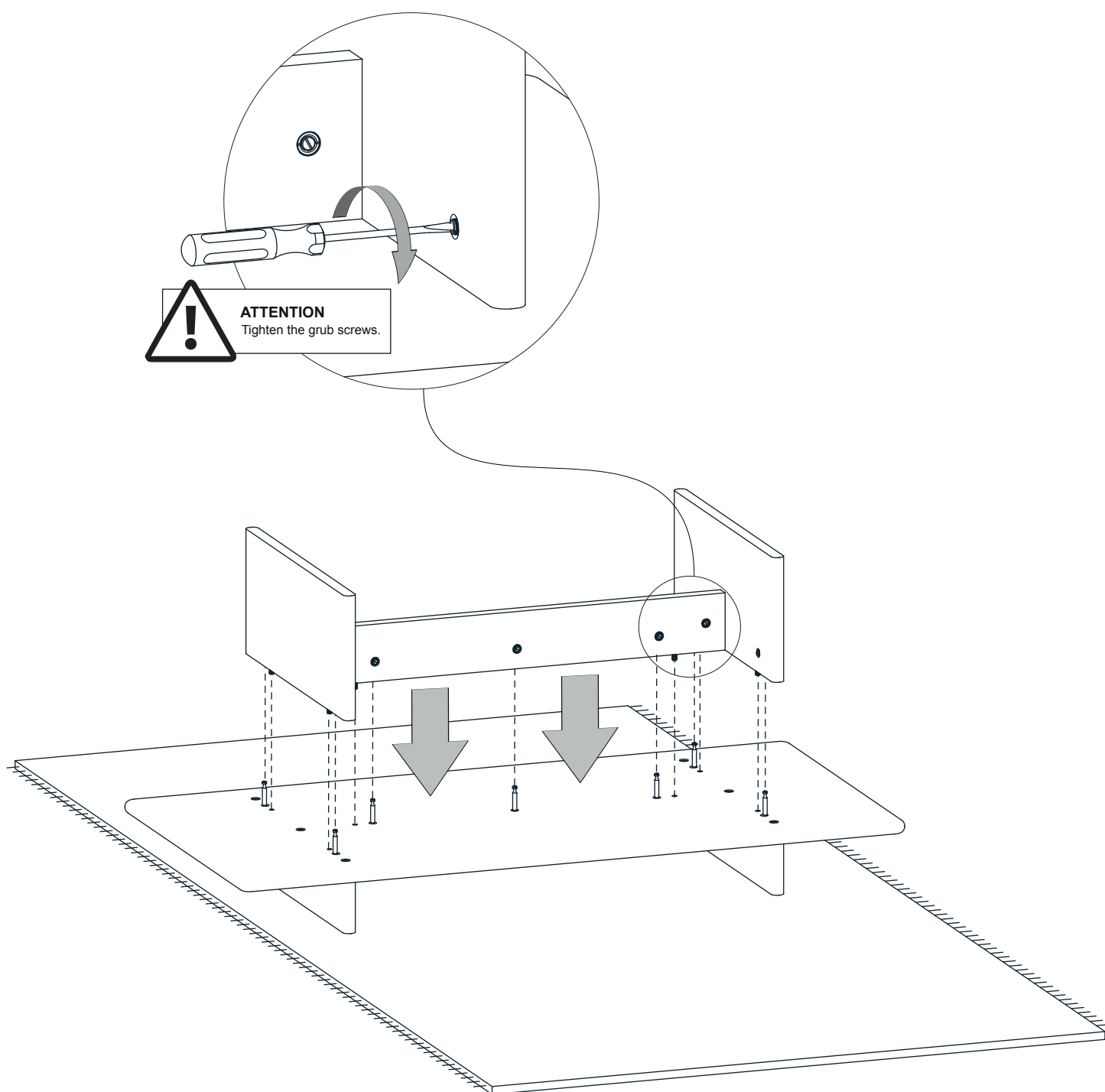
STEP 6

FIX THE VERTICAL SUPPORTS TO MIDDLE PANEL AND
TIGHTEN THE BOLTS BY USING THE ALLEN KEY.



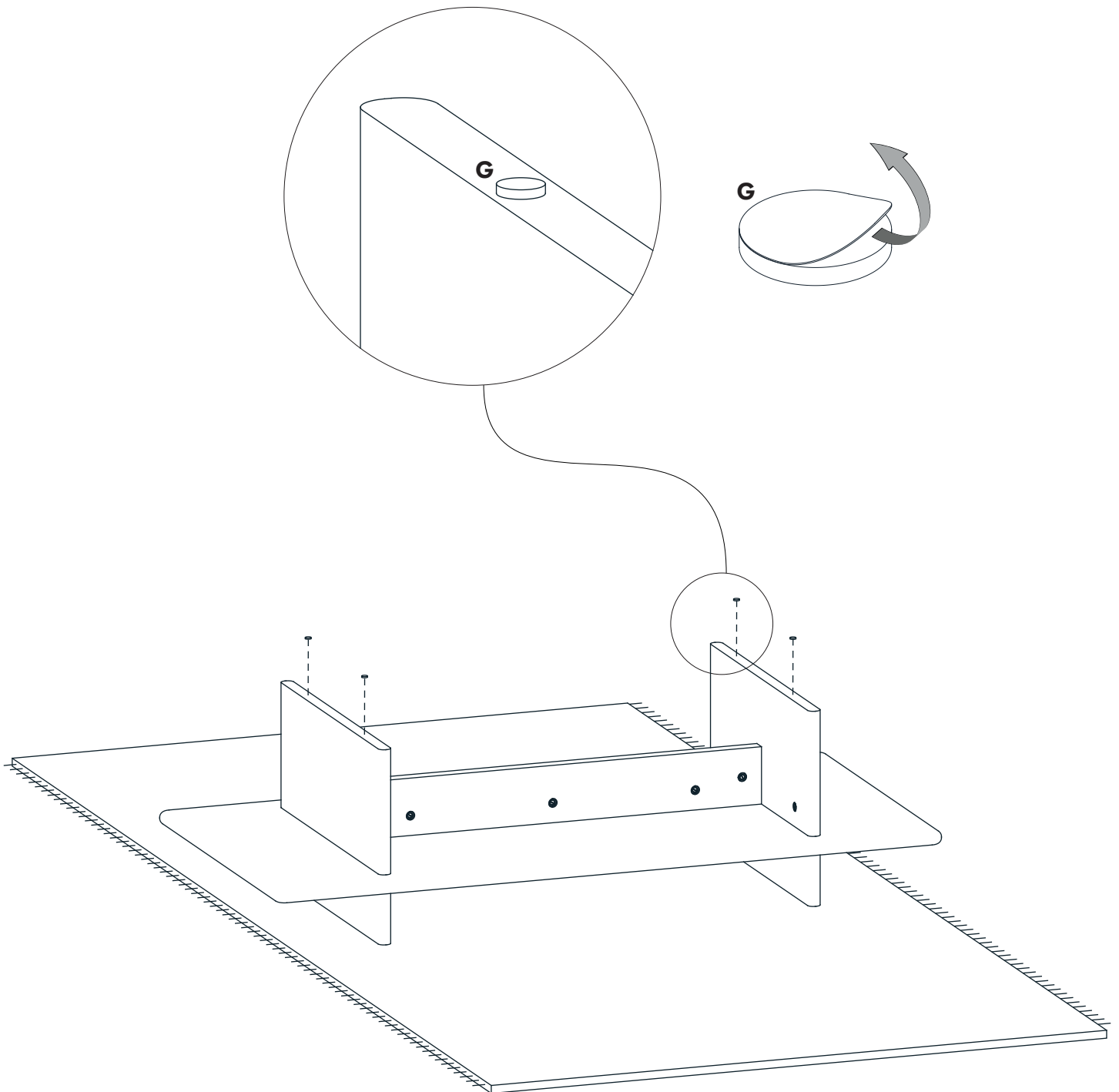
STEP 7

FIX THE UPPER FRAME TO LOWER FRAME AND
TIGHTEN THE GRUB SCREWS BY USING A SCREWDRIVER.



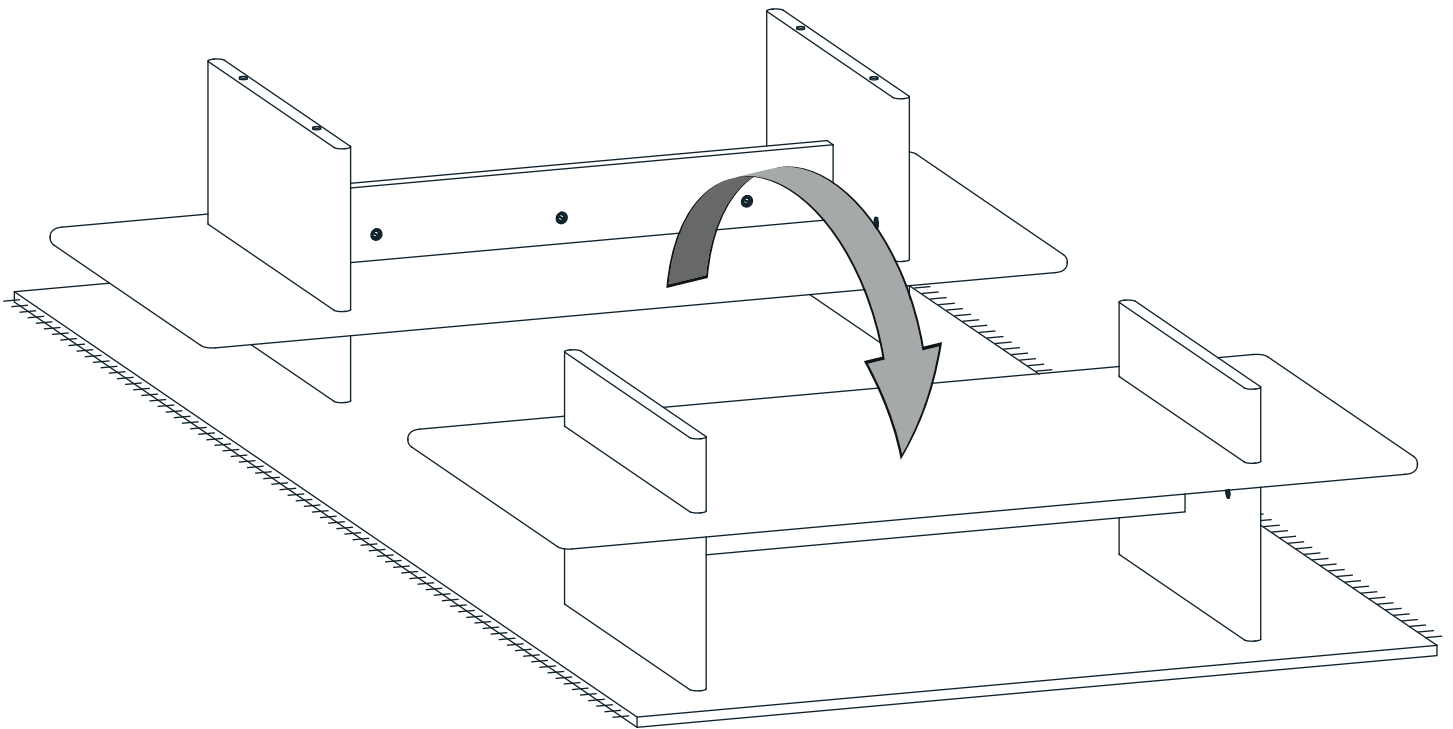
STEP 8

REMOVE THE PROTECTIVE PAPER FROM THE FELT PADS AND ATTACH THEM TO THE BOTTOM OF THE LEG PANELS.



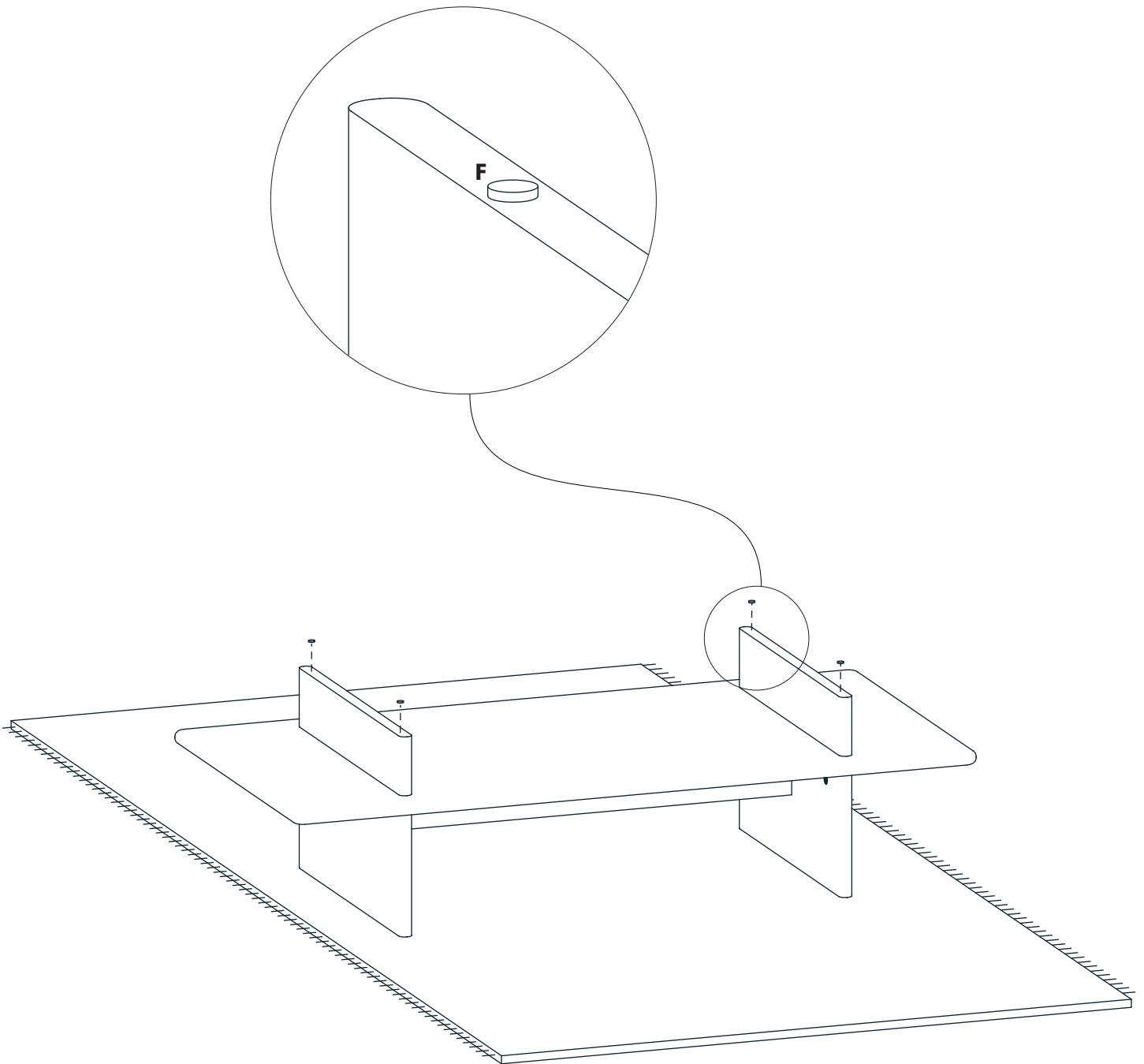
STEP 9

TURN THE UNIT TO STANDING POSITION CAREFULLY.



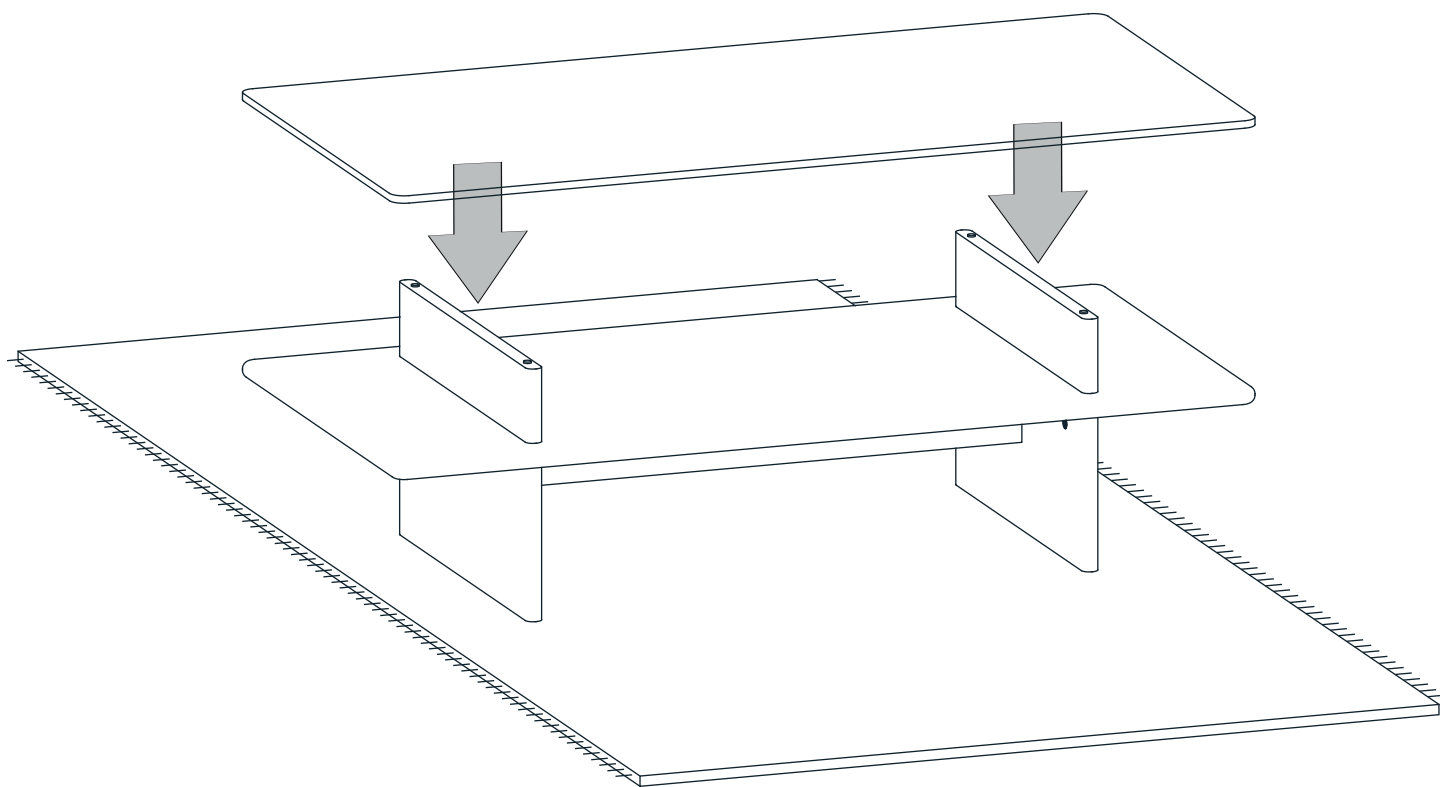
STEP 10

REMOVE THE PROTECTIVE PAPER FROM THE SILICON BUMPER AND ATTACH THEM TO THE TOP OF VERTICAL SUPPORTS.



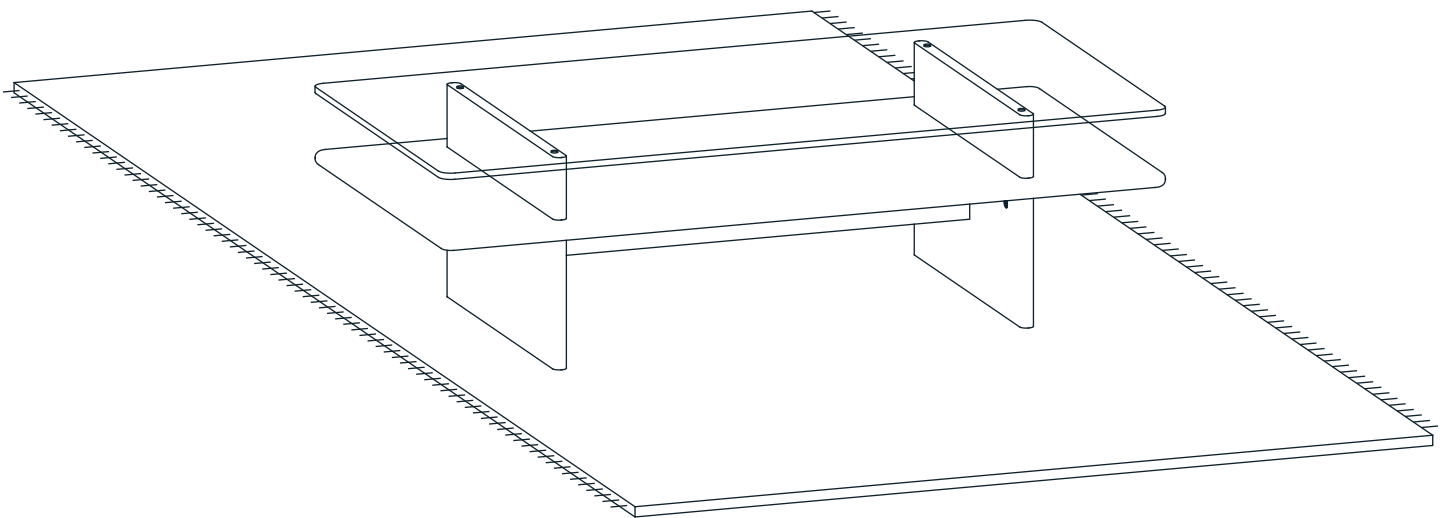
STEP 11

PLACE THE GLASS TOP CAREFULLY.



STEP 12

NOW YOUR PARALLEL TABLE IS READY TO PUT INTO USE.



DESIGNED BY
MAGNUS PETERSEN