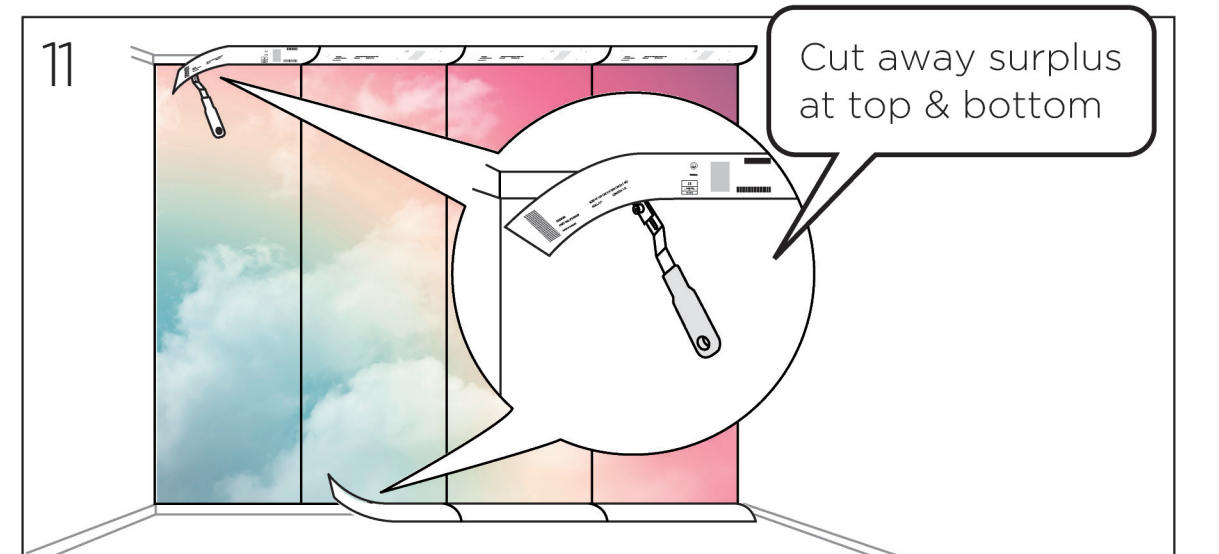
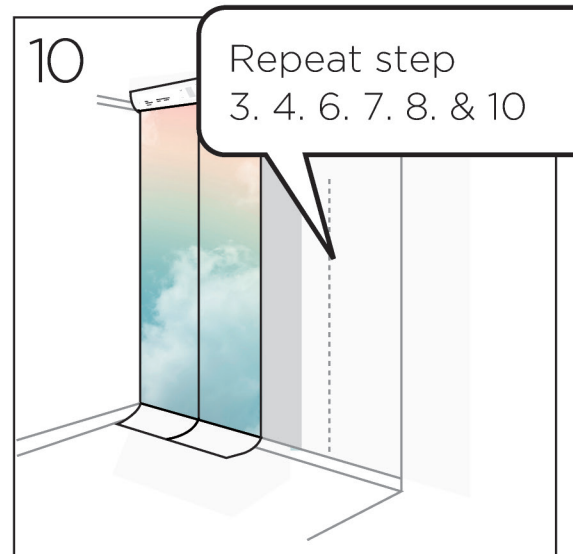
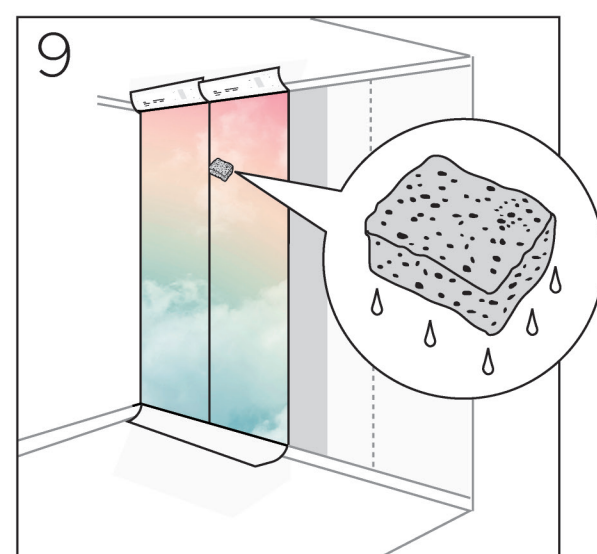
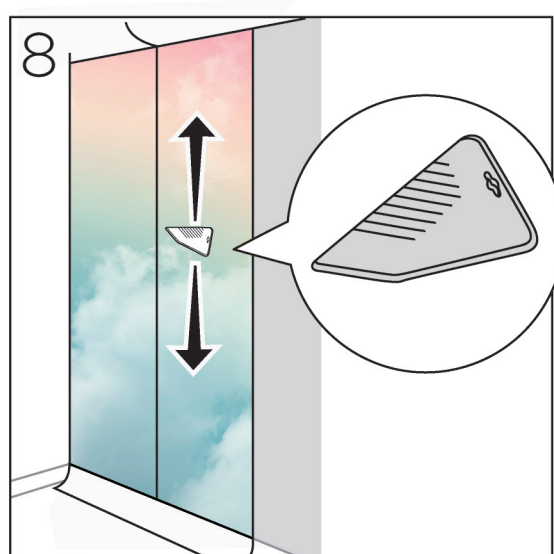
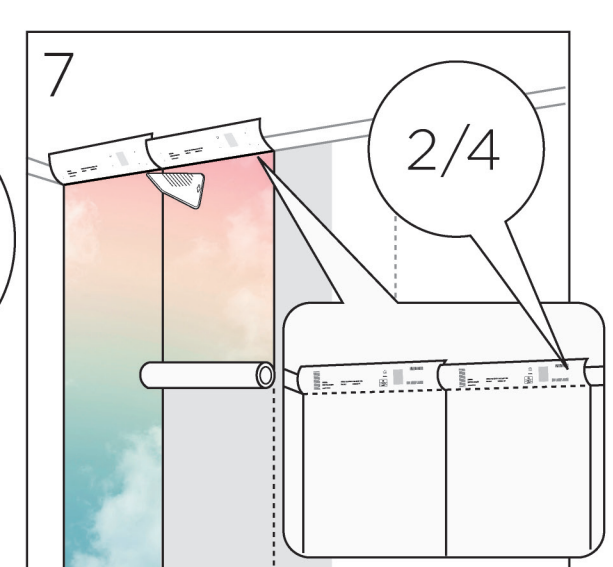
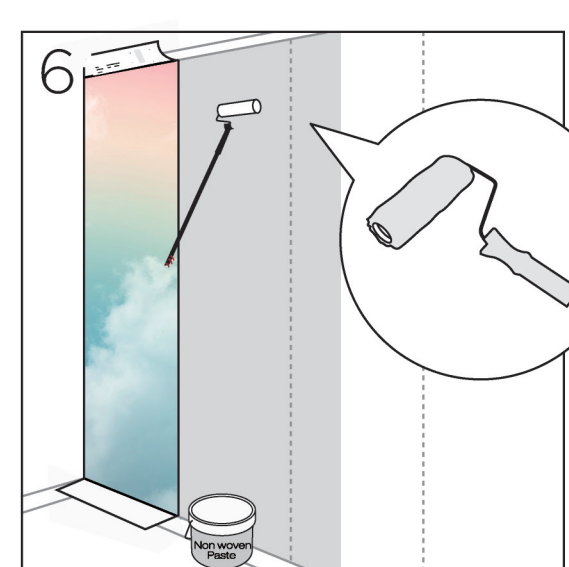
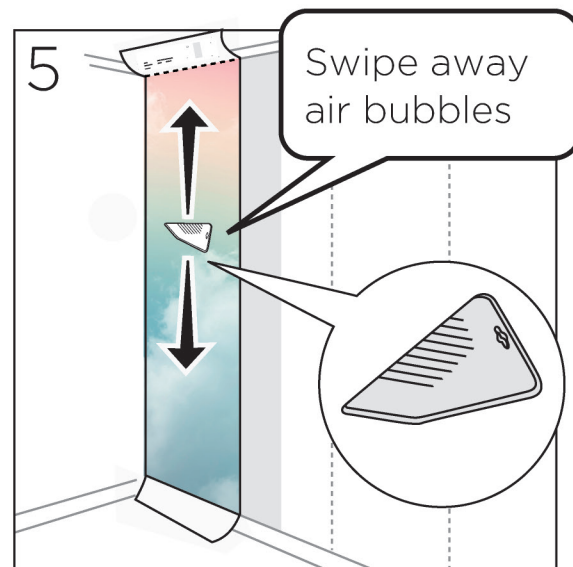
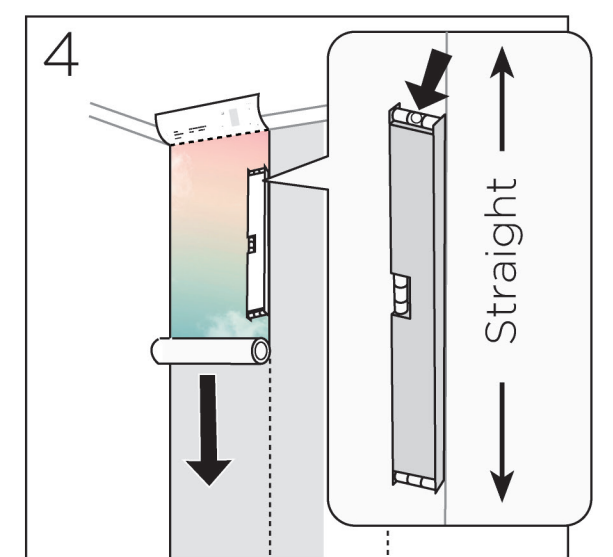
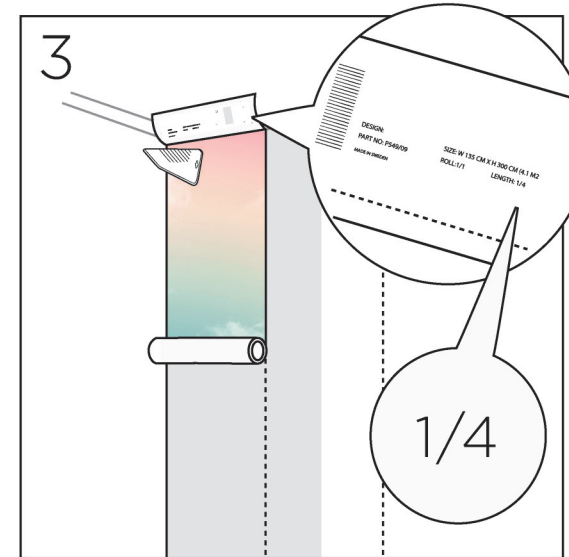
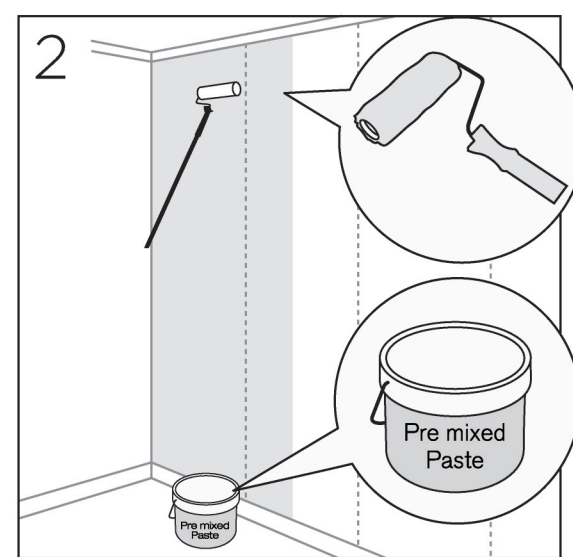
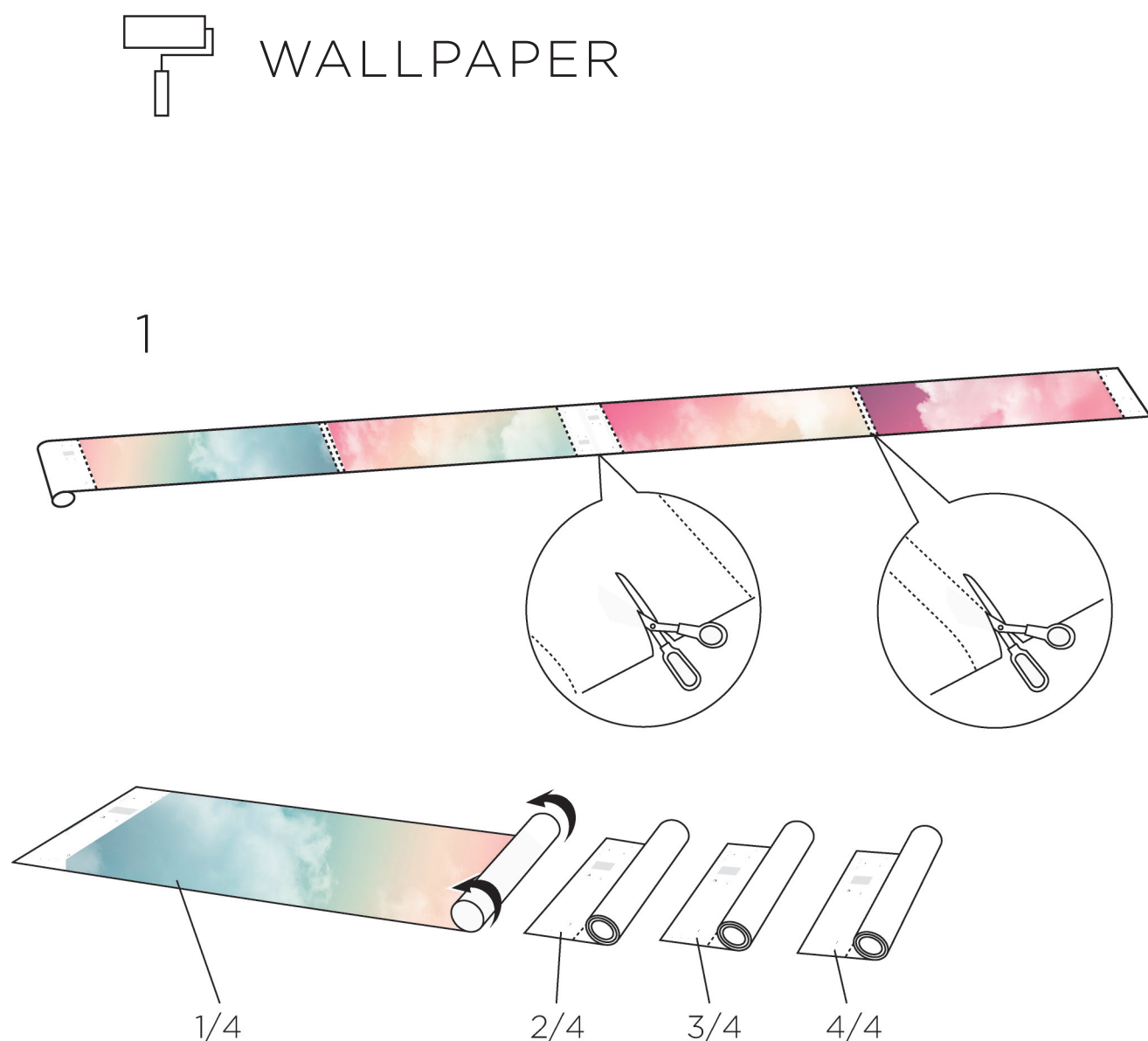


jimmy cricket.



BEFORE YOU BEGIN

The surface of the wall must be smooth, clean, dry and sound. Flaking paint and loose wallpaper should be removed, and any uneven surfaces must be filled.

Give the wall a prime coating if its colour is very different to the new wallpaper. Very absorbent surfaces, such as plaster walls, should be sealed.

RIGHT ADHESIVE

Always use an adhesive specially recommended for non-woven wallpaper.

RECOMMENDED TOOLS

- Rollers and tray
- Bucket
- Paintbrush (For the areas that the roller misses, e.g. along the ceiling and skirting boards)
- Spirit level or plumb line (To make sure the wallpaper is straight)
- Steel ruler (To make a straight, clean cut along the top and bottom)
- Wallpaper sponge (Soft cloth or sponge, preferably a cellulose sponge)
- Pencil
- Craft knife
- Wallpapering tool or brush

HANGING THE WALLPAPER

1-11. Start by dividing the lengths as indicated by the cutting symbols. Lay the lengths, with the label facing upwards, in numerical order

Starting with length number 1. Make sure you have all the lengths and that none of them are defective or damaged.

2-10. The lengths are numbered in the order in which they must be hung. The lengths should be hung edge to edge without any overlapping. It is essential that the first length is vertically straight.

TIP: Make a pencil mark one wallpaper width along the wall near the ceiling. Hold a plumb line on the mark and draw a vertical line down the wall. Then line up your first length of wallpaper with this pencil line.

Roll the paste straight onto the wall. Be sure to evenly cover the entire surface. If you miss a spot, this will cause the wallpaper to bubble. Past an area the width of one and a half lengths at a time. Gently and evenly press the lengths together to ensure there are no visible seams. Make sure the wall has been pasted where the lengths meet so that the edges are not visible. Try not to get paste on the front of the wallpaper. Any excess paste should be removed immediately using a wet wallpaper sponge.

Smooth each length with a clean wallpapering tool or wallpaper brush. Work from the ceiling to the floor and from the middle you to the edges.

11. Once the whole wallpaper has been hung, cut off any excess along the ceiling and floor. Always use a sharp blade to avoid tearing the paper. Keep the room ventilated and at normal room temperature for 24 hours to allow the paste to dry completely.