

ASKER

A boxy sofa range, for those who enjoy relaxing more than maintenance. The latter isn't an issue, since it has an aluminium frame, hidden under generous cushions in QuickDry foam, covered in Sunbrella fabrics.

MATERIAL AND COLOR GUIDE

FABRICS



LIGHT GREY
SUNBRELLA SLING
SAILING SEAGULL
50143-0010



TAUPE BEIGE
SUNBRELLA
SJA 3729 137

ASKER SOFA OTTOMAN

Design Martin dos Santos



EU

PRODUCT

W:70 D:97 H:40
Seat height: 40
Weight: 11 kg

PACKAGING

W:75 D:102 H:45
Weight: 15 kg
Volume: 0,34
1 pc per box

US

PRODUCT

W:27.5" D:38"
H:16"
Seat height: 38"
Weight: 24 lb

PACKAGING

W:29.5" D:40" H:17.5"
Weight: 29 lb
Volume: 0.021
1 pc per box

DESCRIPTION

- ☑ Light grey Sunbrella Sling
- ☑ Beige taupe Sunbrella Sling

ITEM NO

ASKO-LGS
ASKO-BTS

SUNBRELLA UPHOLSTERY CARE AND CLEANING

To keep Sunbrella fabrics looking good, the best thing is to brush off dirt before it becomes embedded in the fabrics and wipe up spills or clean soon after a stain occurs. The quicker you clean spills and stains, the easier they can be to remove.

OUTDOOR UPHOLSTERY

Should there be a new spill or stain on your Sunbrella fabric, try the following first:

- Blot (don't rub) liquid spills with a clean, dry cloth. For oil-based spills, apply an absorbent such as corn starch, then remove with a straight edge.
- Spray on a mild cleaning solution of soap (such as Dawn or Woolite) and water.
- Rinse the fabric thoroughly to remove all soap residue. Then air dry.

If this doesn't get the stain completely out, here's how to clean the fabric:

CLEANING REMOVABLE FABRIC

Skargaarden strongly recommend hand washing of all Sunbrella fabrics. Soak fabric in a solution of 1/4 cup mild soap per gallon of lukewarm water. Use a sponge or very soft bristle brush to lightly agitate the stain. Then rinse thoroughly to remove all soap residue, and allow fabric to air dry.

CLEANING NON-REMOVABLE FABRIC

Prepare a solution of 1/4 cup mild soap per gallon of lukewarm water. Use a soft bristle brush to clean, allowing the cleaning solution to soak into the fabric. Rinse thoroughly to remove all soap residue and allow fabric to air dry.

MOLD AND MILDEW STAINS

Sunbrella fabrics do not promote mildew growth, however, mildew may grow on dirt and other foreign substances if not removed from the fabric. To remove mold or mildew:

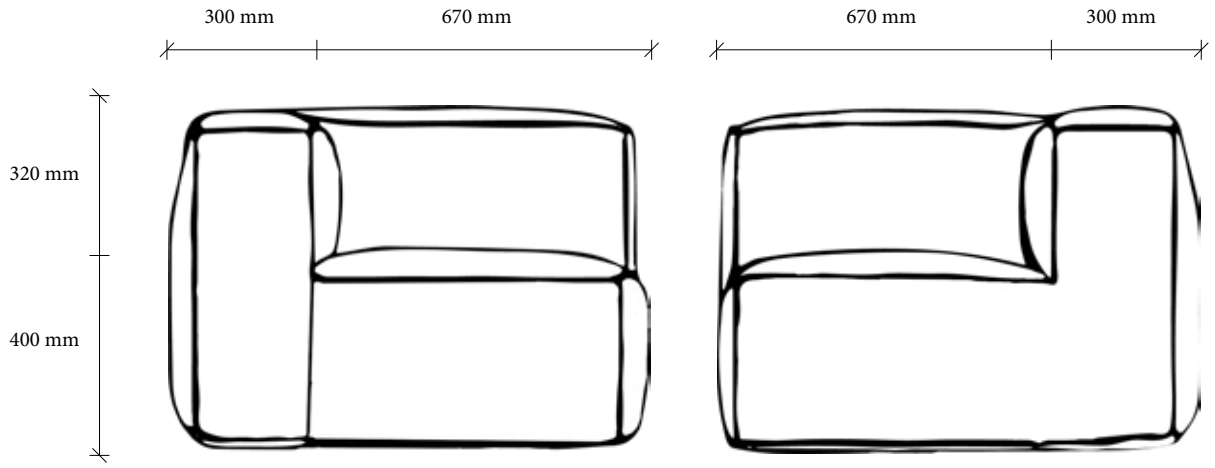
- Prepare a solution of 1 cup of bleach and 1/4 cup mild soap per gallon of water.
- Spray on entire area and allow to soak into the fabric for 15 minutes.
- Clean entire surface area with a sponge, clean towel or very soft bristle brush.
- Rinse thoroughly to remove all soap residue.
- Air dry.

For severe mold/mildew growth, bleach quantities may be increased. It is best to clean the entire surface area of the fabric to avoid water rings and stains.

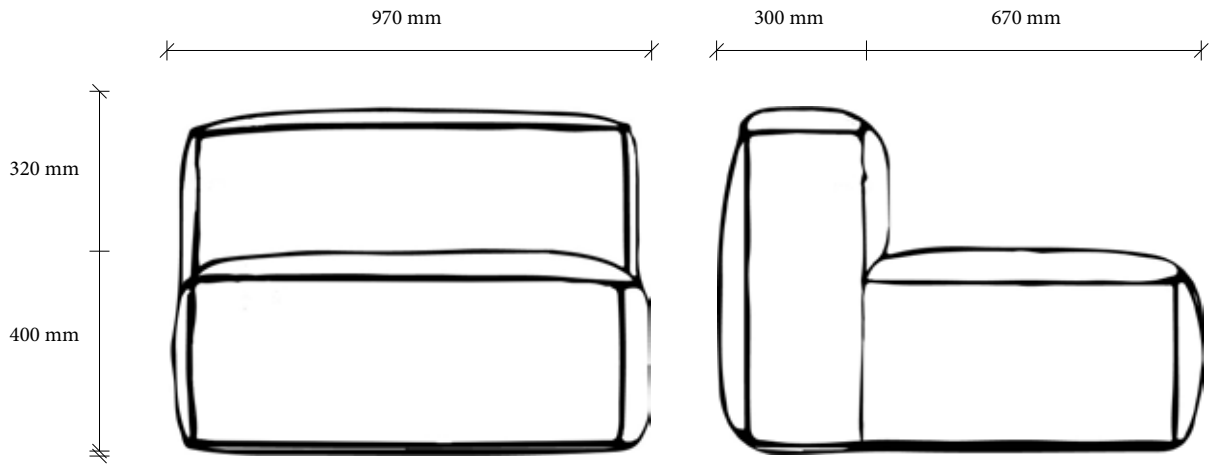
For information on cleaning other popular stains, see the Sunbrella Stain Chart. www.sunbrella.com/stainchart



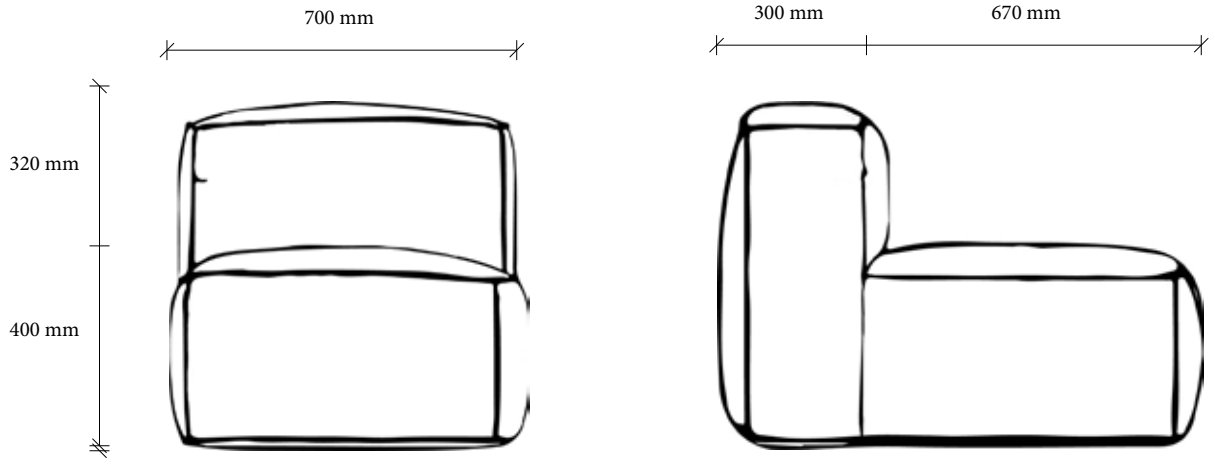
ASKER
CORNER



ASKER
MID 100 cm



ASKER
MID 70 cm



ASKER
OTTOMAN

