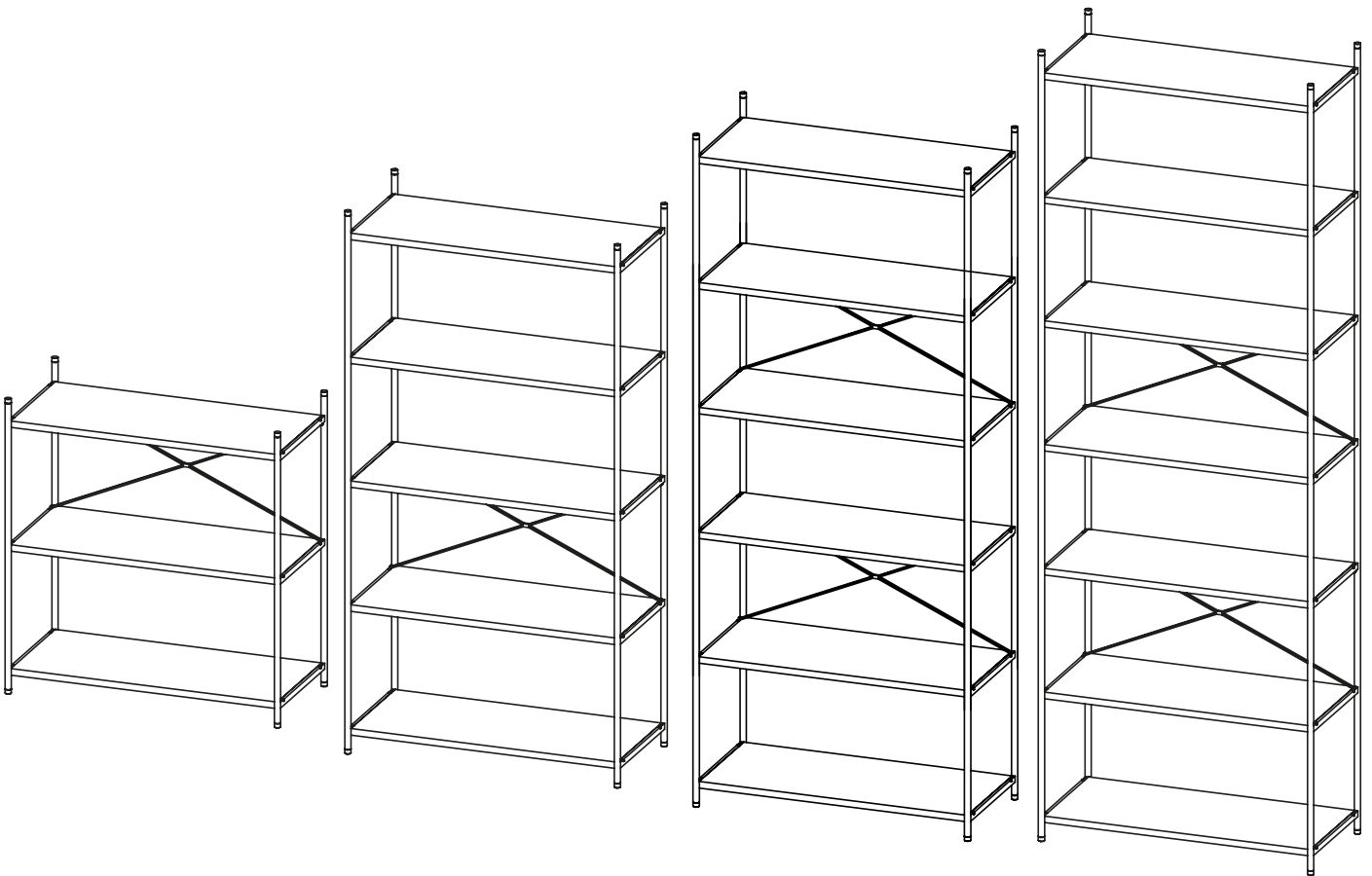
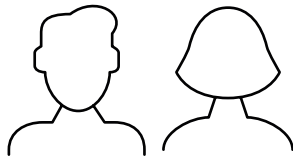


PUNCTUAL SHELVING SYSTEM

ASSEMBLY MANUAL



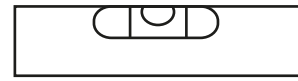
Needed for assembling



Min. two persons



Screw driver



Spirit level

Contents

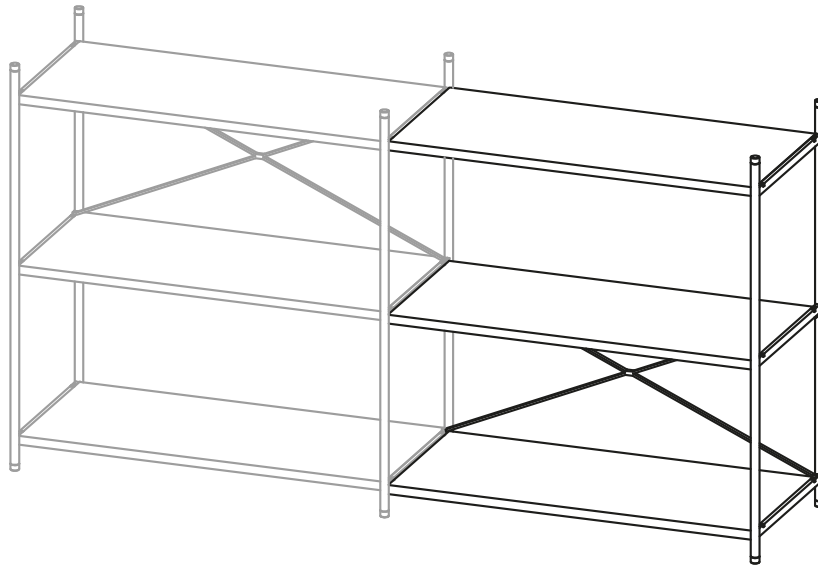
PUNCTUAL SHELVING SYSTEM 1x3	3
Assembly Manual / Assembly Manual - extension	3
Content of the box	3
Content of the box - Extension	3
PUNCTUAL SHELVING SYSTEM 1x5	6
Assembly Manual / Assembly Manual - extension	6
Content of the box	6
Content of the box - Extension	6
PUNCTUAL SHELVING SYSTEM 1x7	10
Assembly Manual / Assembly Manual - extension	10
Content of the box	10
Content - Extension	10
PUNCTUAL SHELVING SYSTEM	14
Assembly Manual - wall attachment	14
Needed for attachment	14
Content	14
Warning	14

WARNING

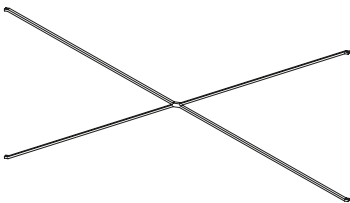
Wall attachment must be used for all shelving systems higher than 3 shelves systems.
No climbing on the shelves is allowed.

PUNCTUAL SHELVING SYSTEM 1x3

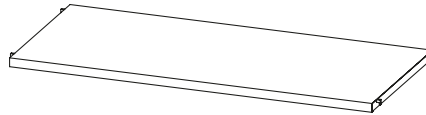
ASSEMBLY MANUAL / ASSEMBLY MANUAL - EXTENSION



Content of the box



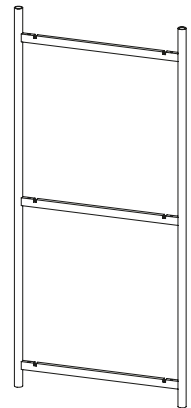
Cross x 1



Shelf x 3

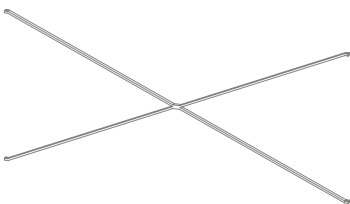


Screw x 4

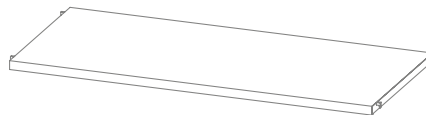


Ladder x 2

Content of the box - Extension



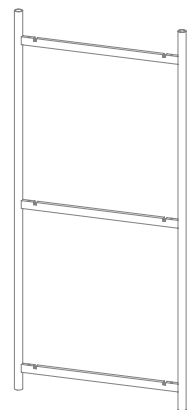
Cross x 1



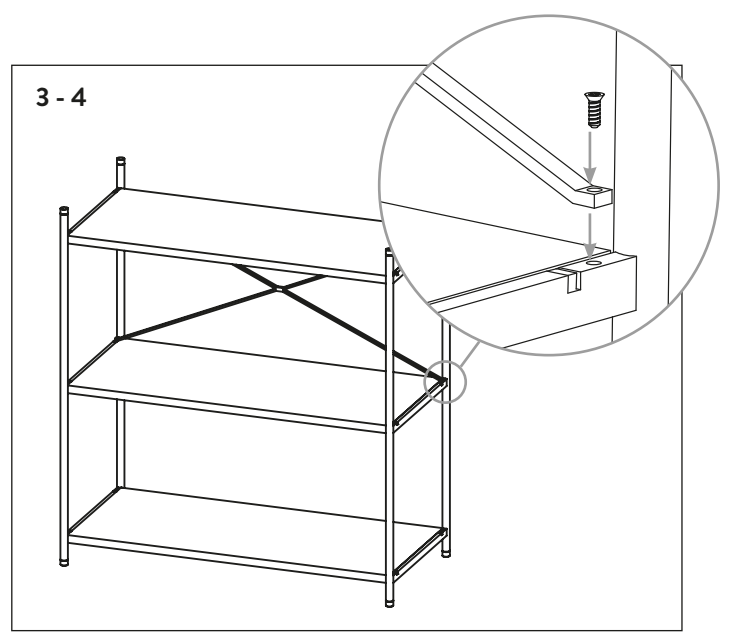
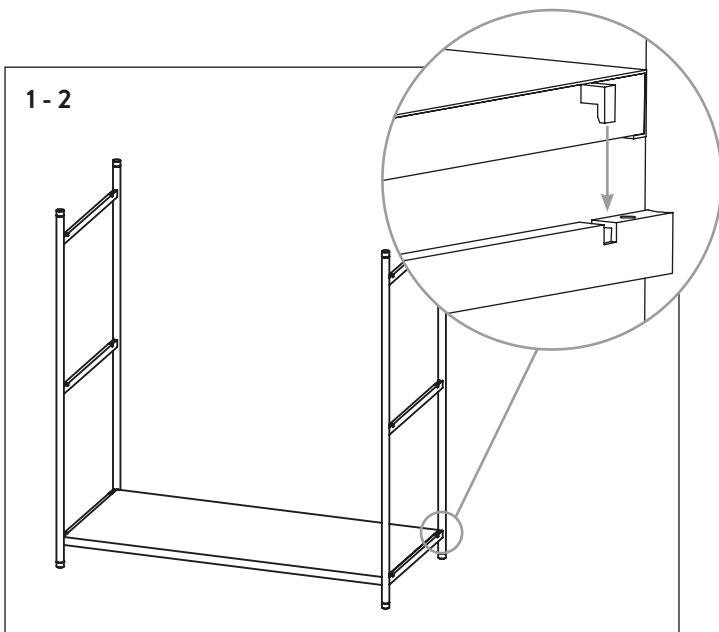
Shelf x 3



Screw x 4

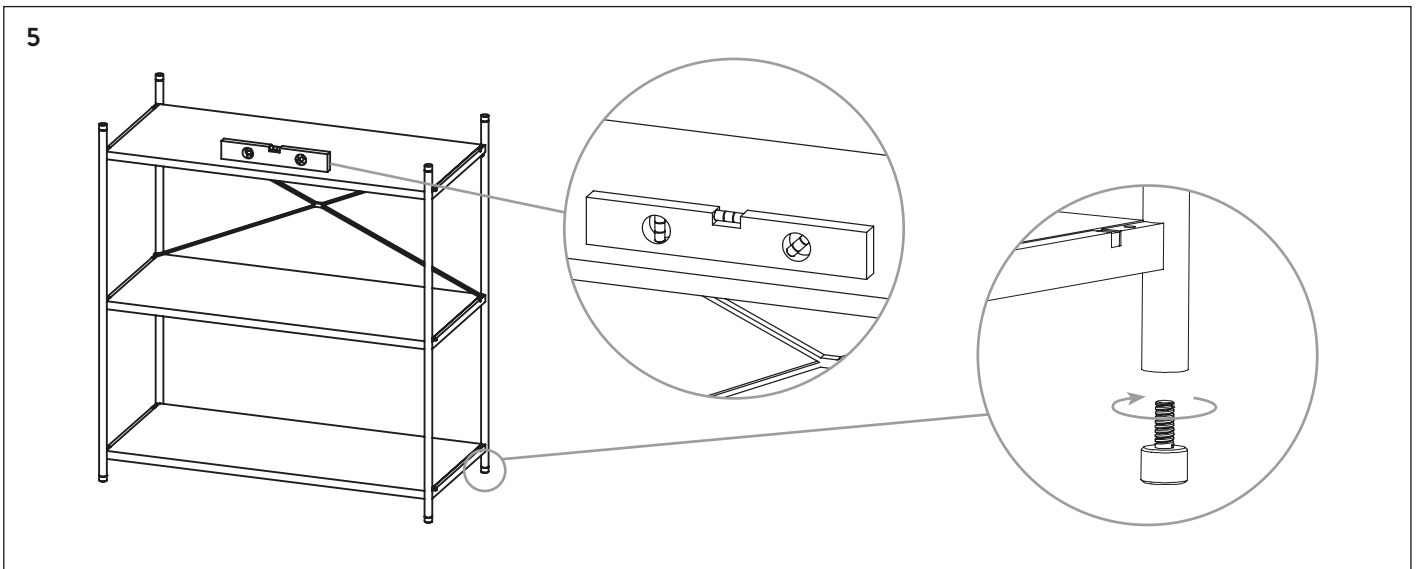


Ladder x 1



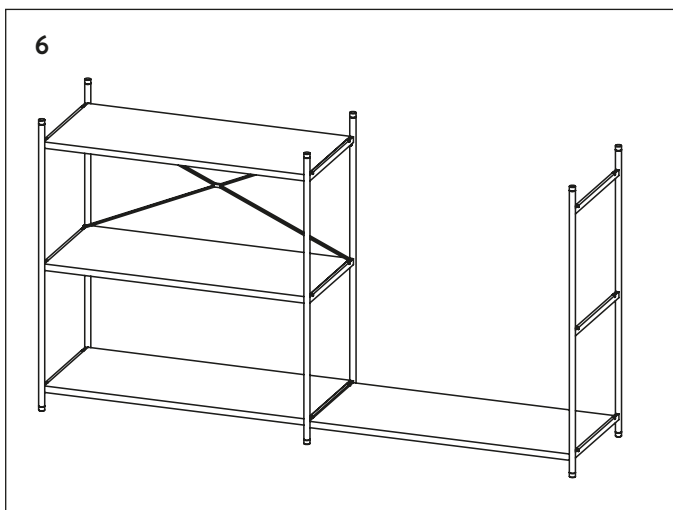
1. Two people are needed.
One to hold the ladders - one to collect.
2. Attach first shelf at bottom of the two ladders.

3. Then move upwards and attach the next shelf. Attach all three shelves.
4. Attach the cross above the second shelf and screw all four screws lightly. Do not tighten the screws yet.

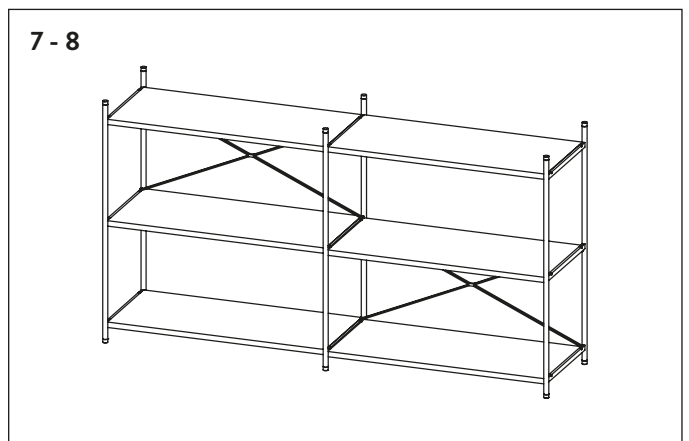


5. Use a spirit level and align the four adjustment feet. Then tighten the four screws for the cross.

If you want to extend your shelving system, see steps 6 - 8.



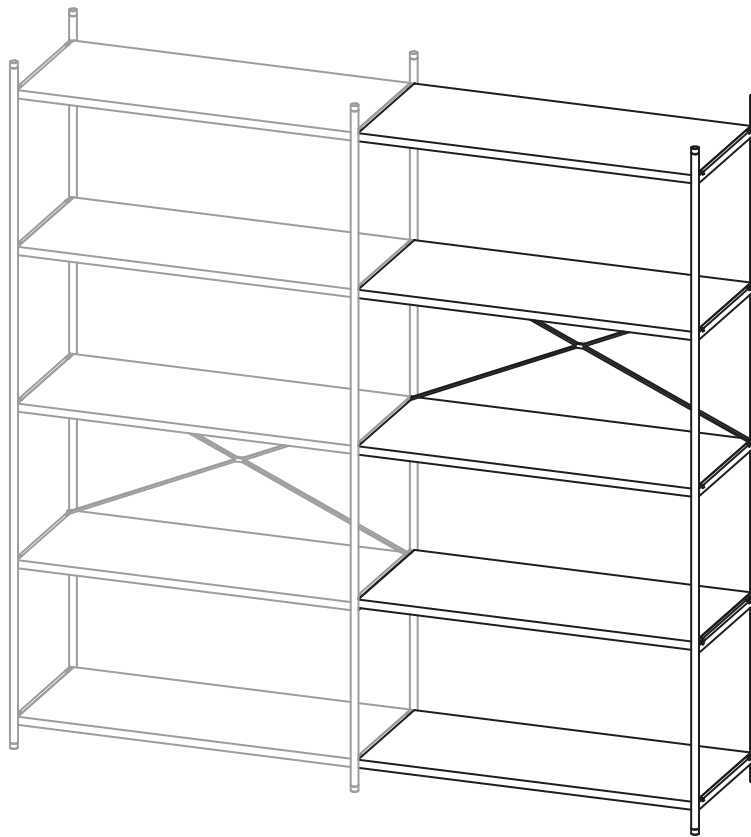
6. Continue to the next row and place the shelves from the bottom and up.



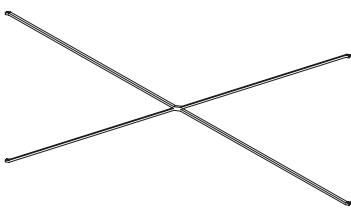
7. Attach the next cross above the bottom shelf and screw all four screws lightly. Do not tighten the screws yet.
8. Use a spirit level and align the four adjustment feet. Then tighten the four screws for the cross. (See illustration 5)

PUNCTUAL SHELVING SYSTEM 1x5

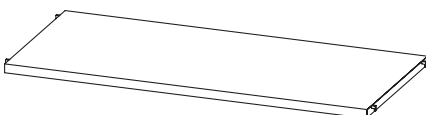
ASSEMBLY MANUAL / ASSEMBLY MANUAL - EXTENSION



Content of the box



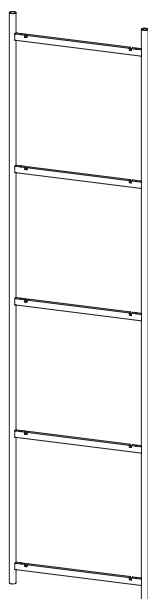
Cross x 1



Shelf x 5

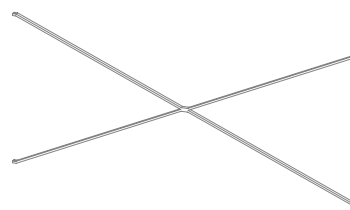


Screw x 4

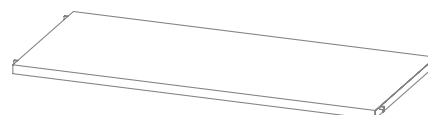


Ladder x 2

Content of the box - Extension



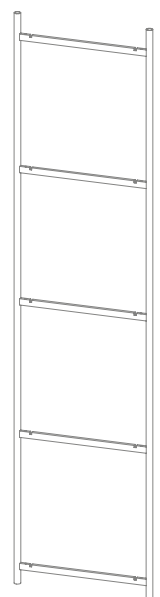
Cross x 1



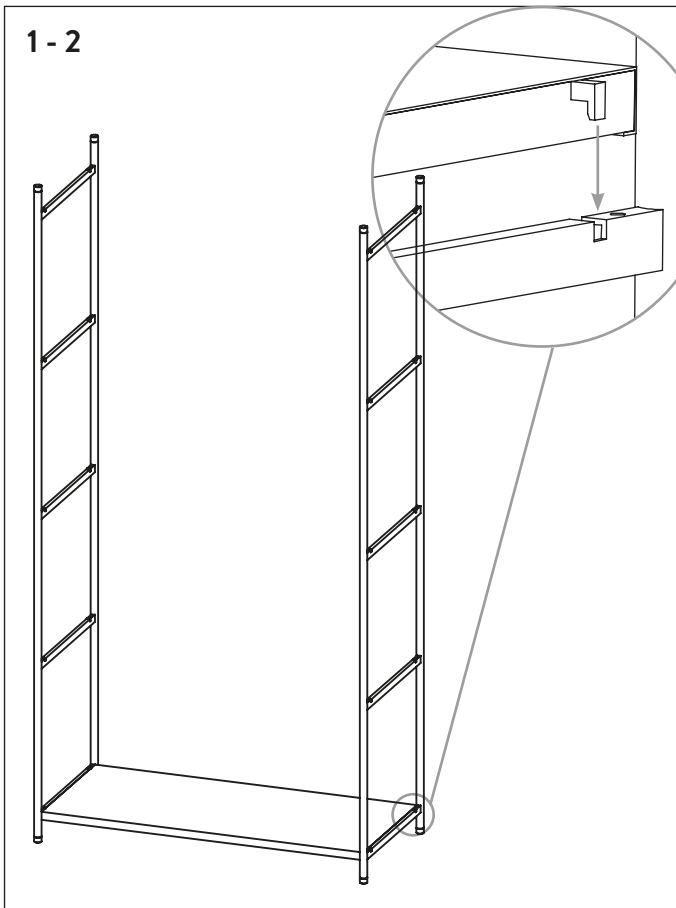
Shelf x 5



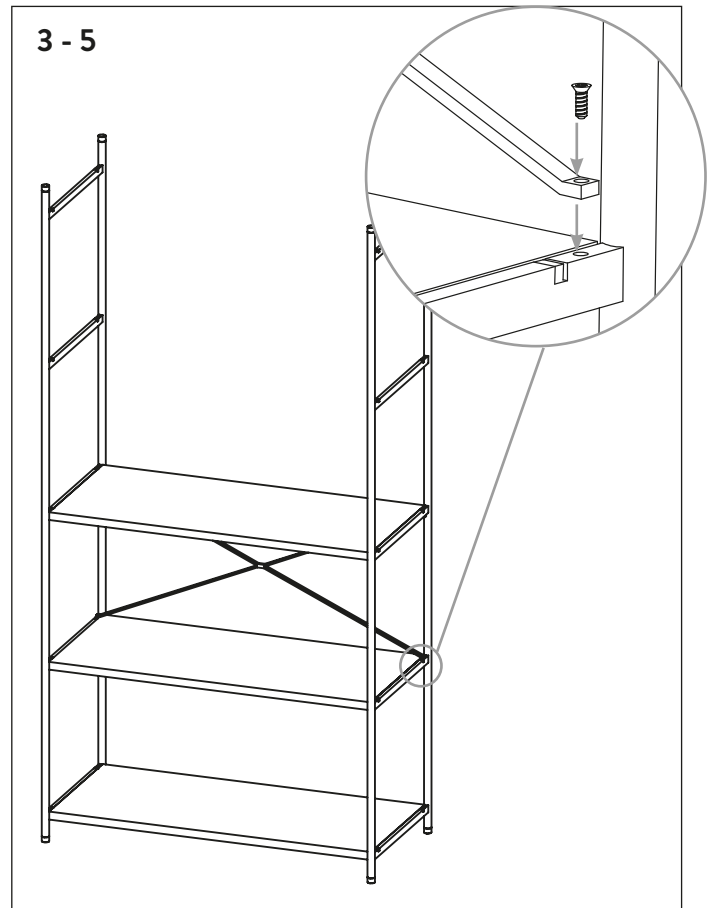
Screw x 4



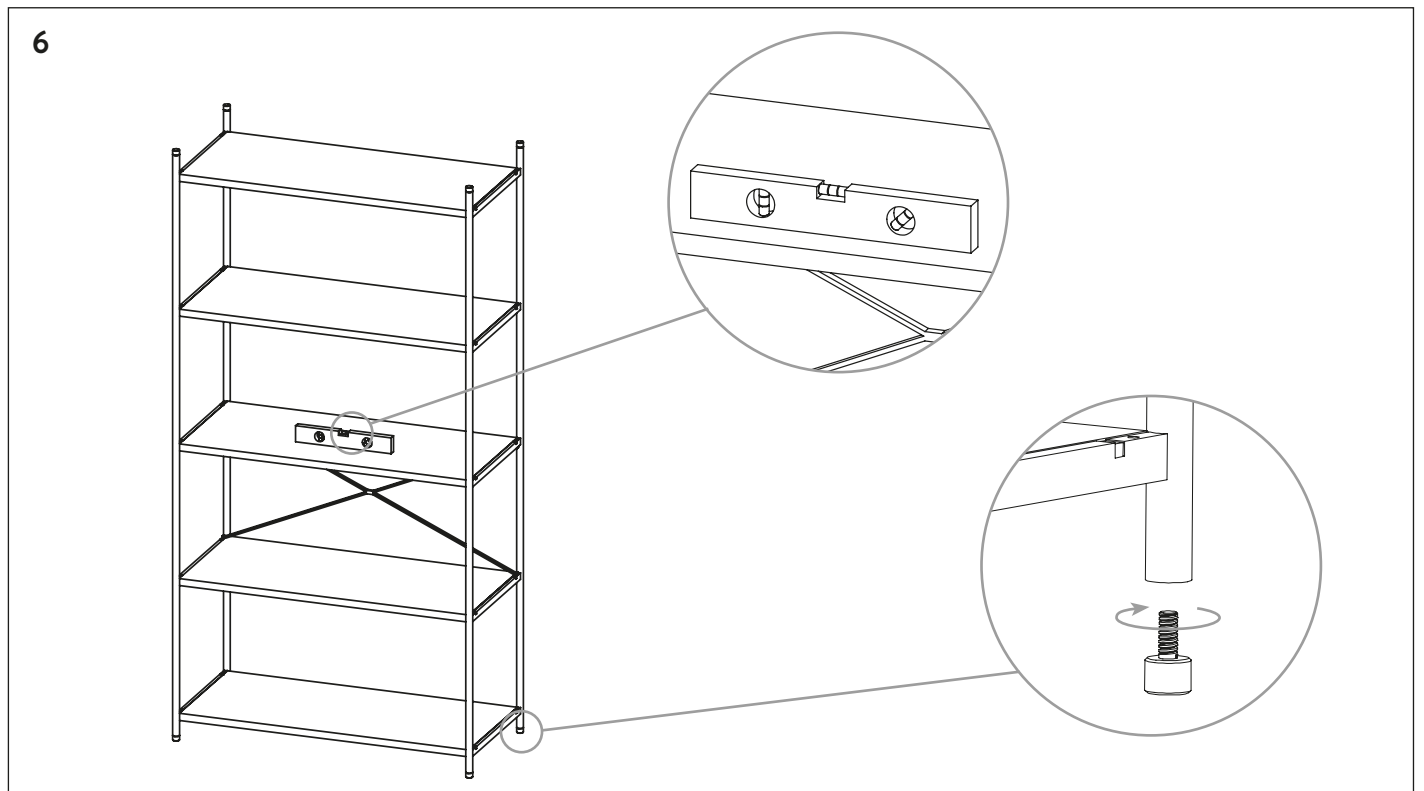
Ladder x 1



1. Two people are needed. One to hold the ladders - one to collect.
2. Attach first shelf at bottom of the two ladders.



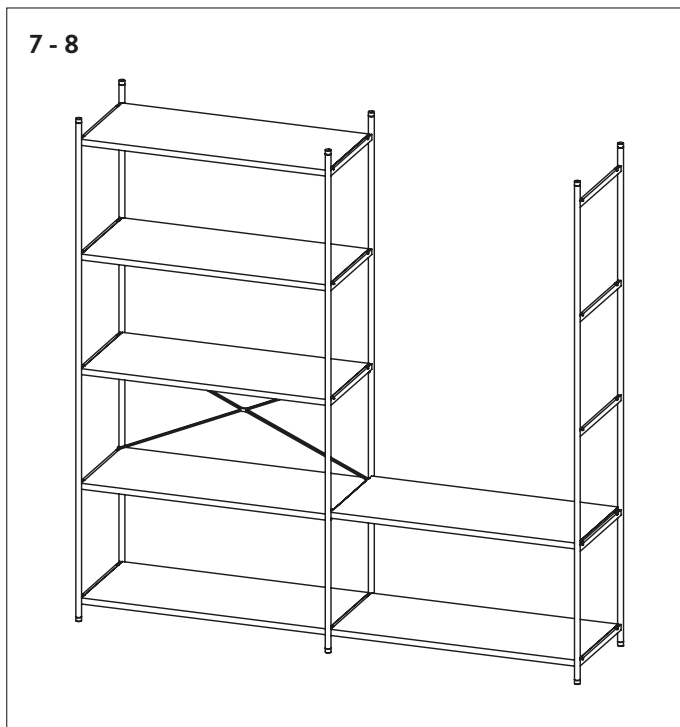
3. Then move upwards and attach the next shelf. Stop after attaching three shelves.
4. Attach the cross just above the second shelf and screw all four screws lightly. Do not tighten the screws yet.
5. Add the rest of the shelves.



6. Use a spirit level and align the four adjustment screws. Then tighten the four screws for the cross.

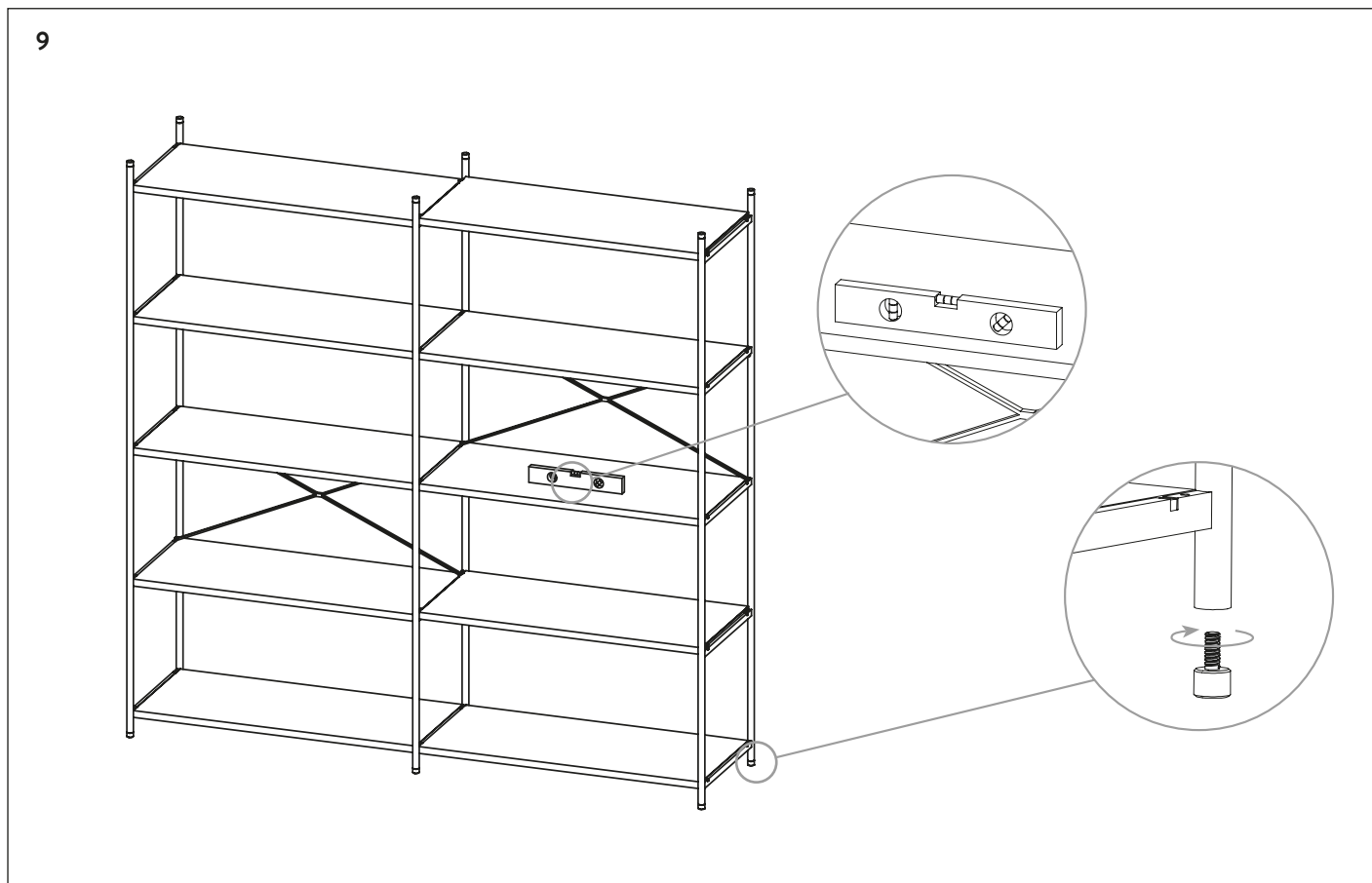
If you want to extend your shelving system, see steps 7 - 9.

7 - 8



7. Continue to the next row and place the shelves from the bottom and up.
8. Attach the next cross above the third shelf and screw all four screws lightly. Do not tighten the screws yet.

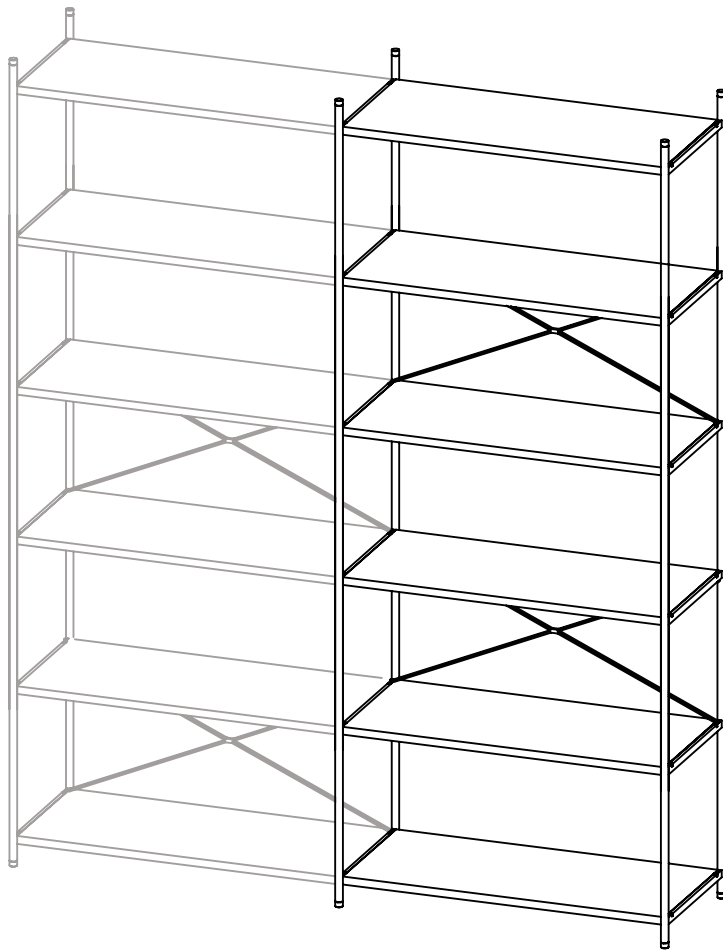
9



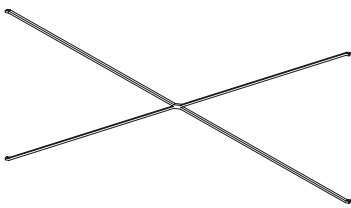
9. Use a spirit level and align the four adjustment feet. Then tighten the four screws for the cross.

PUNCTUAL SHELVING SYSTEM 1x6

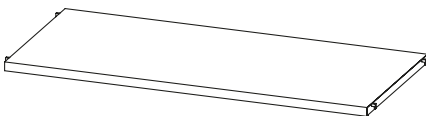
ASSEMBLY MANUAL / ASSEMBLY MANUAL - EXTENSION



Content of the box



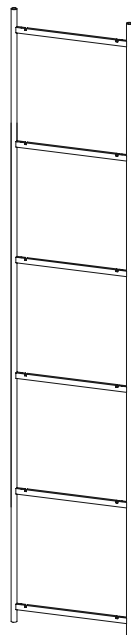
Cross x 1



Shelf x 5

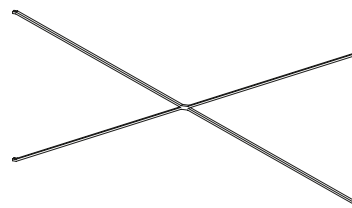


Screw x 4

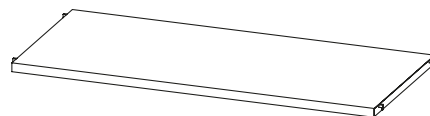


Ladder x 2

Content of the box - Extension



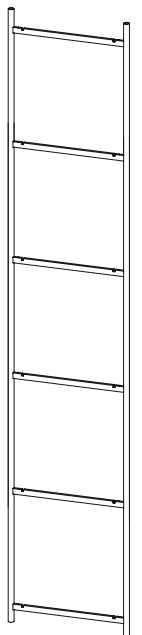
Cross x 1



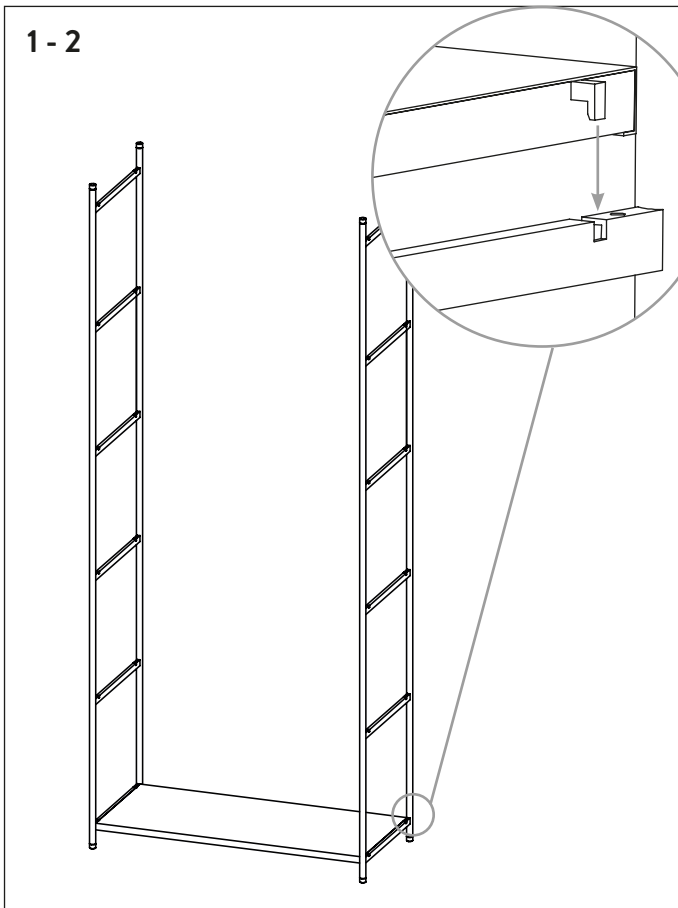
Shelf x 5



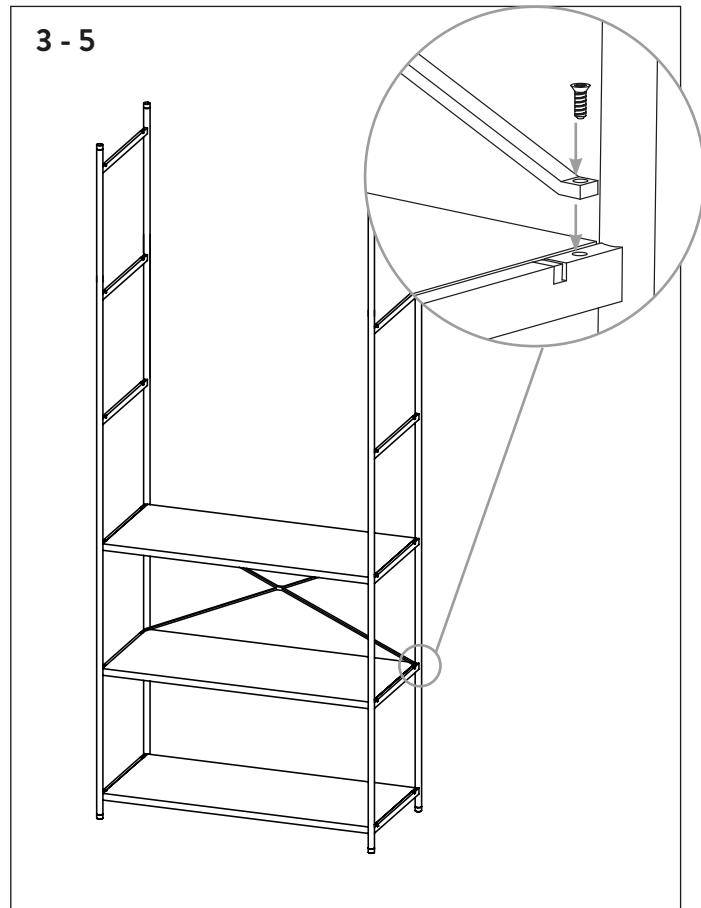
Screw x 4



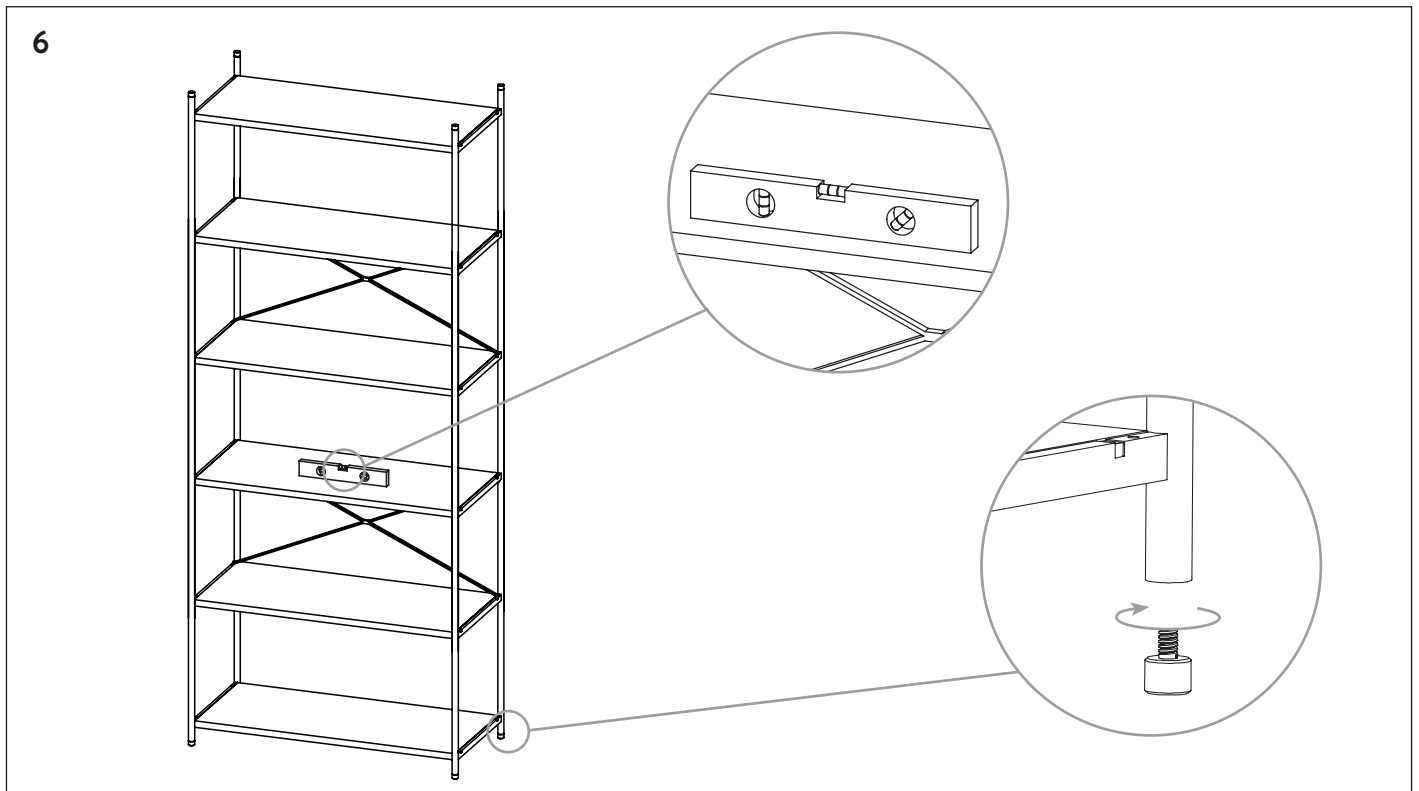
Ladder x 1



1. Two people are needed. One to hold the ladders - one to collect.
2. Attach first shelf at bottom of the two ladders.



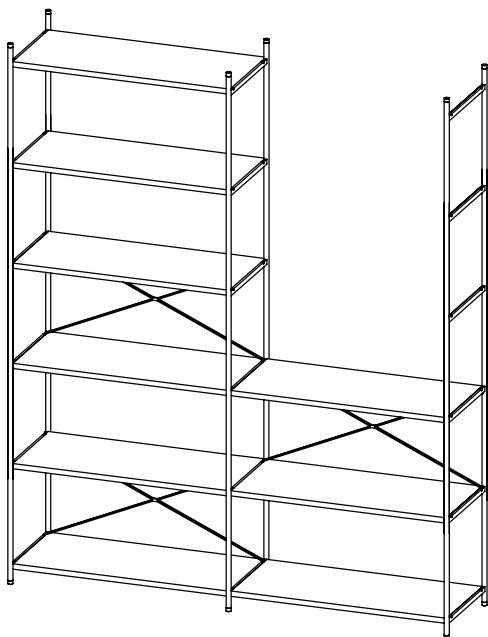
3. Then move upwards and attach the next shelf. Stop after attaching three shelves.
4. Attach the cross just above the second shelf and screw all four screws lightly. Do not tighten the screws yet.
5. Add the rest of the shelves.



6. Use a spirit level and align the four adjustment screws. Then tighten the four screws for the cross.

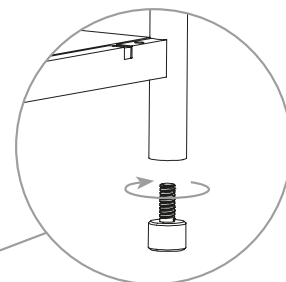
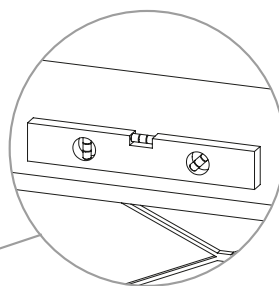
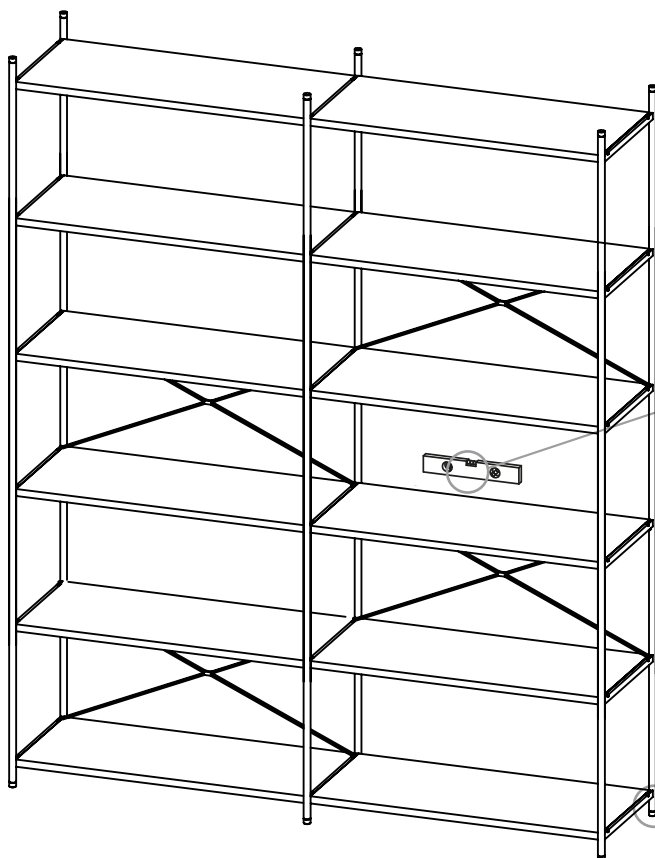
If you want to extend your shelving system, see steps 7 - 9.

7 - 8



7. Continue to the next row and place the shelves from the bottom and up.
8. Attach the next cross above the third shelf and screw all four screws lightly. Do not tighten the screws yet.

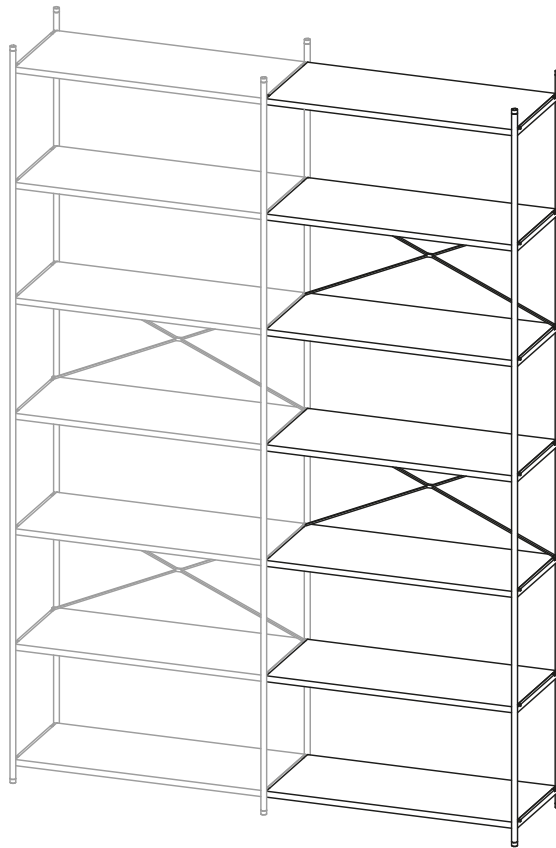
9



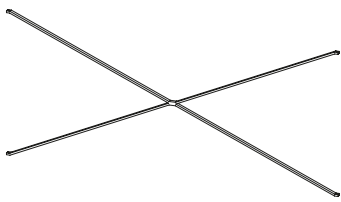
9. Use a spirit level and align the four adjustment feet. Then tighten the four screws for the cross.

PUNCTUAL SHELVING SYSTEM 1x7

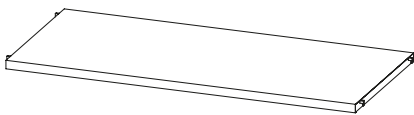
ASSEMBLY MANUAL / ASSEMBLY MANUAL - EXTENSION



Content of the box



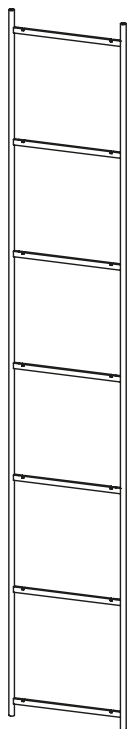
Cross x 2



Shelf x 7

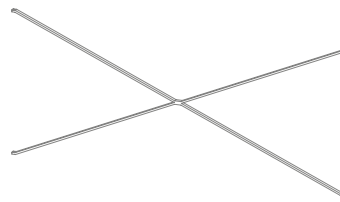


Screw x 8

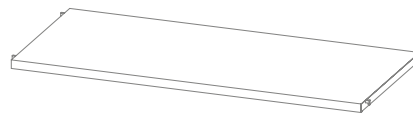


Ladder x 2

Content - Extension



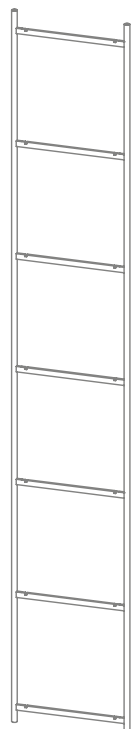
Cross x 2



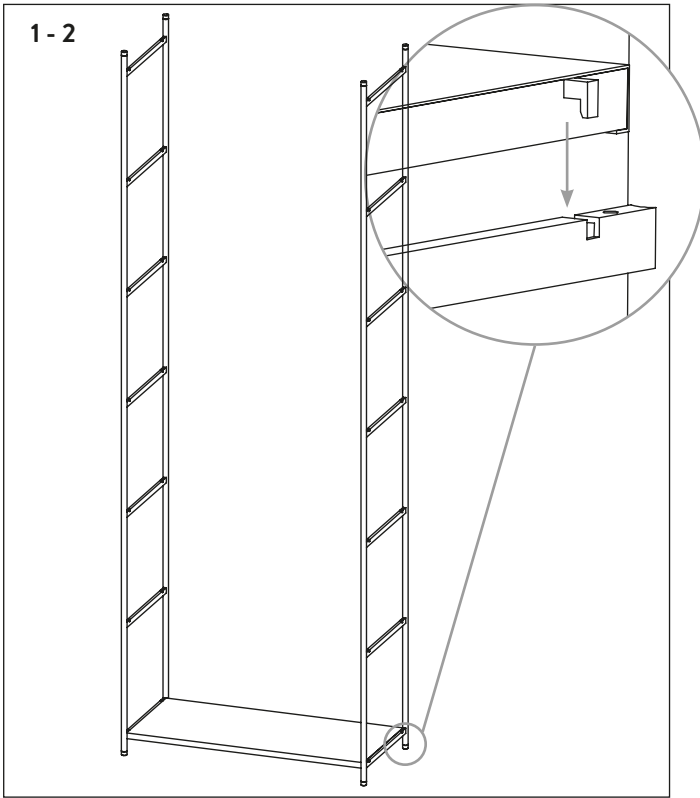
Shelf x 7



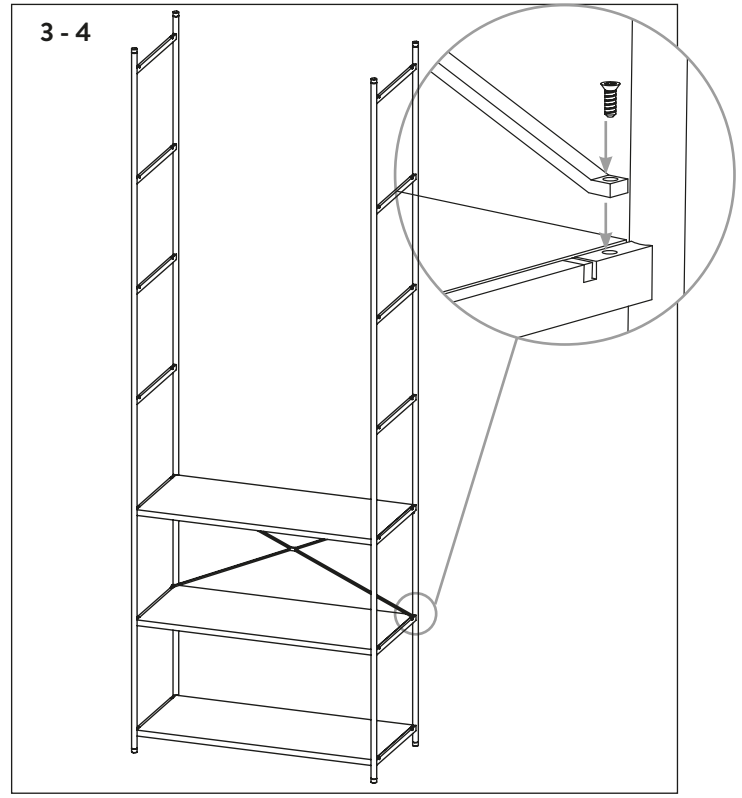
Screw x 8



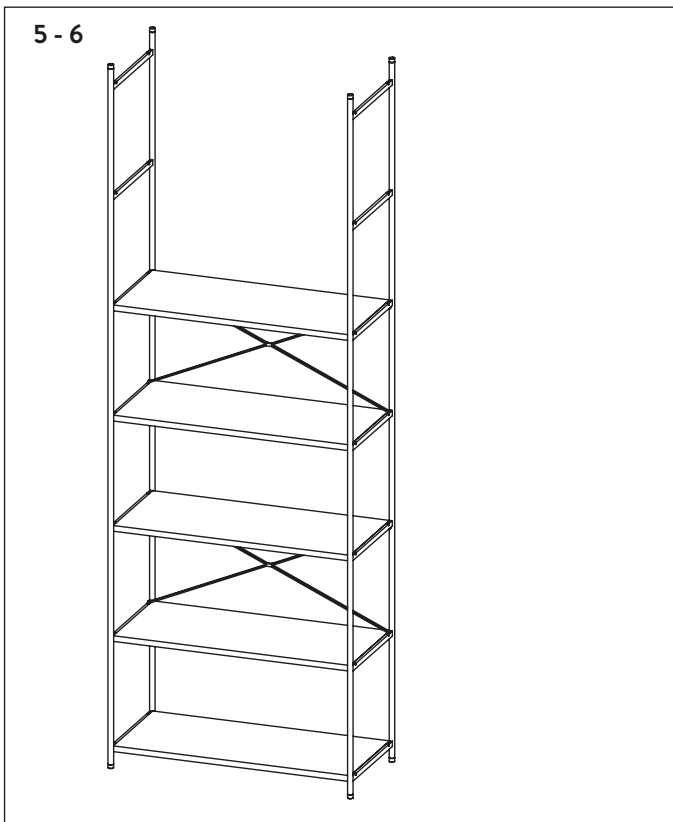
Ladder x 1



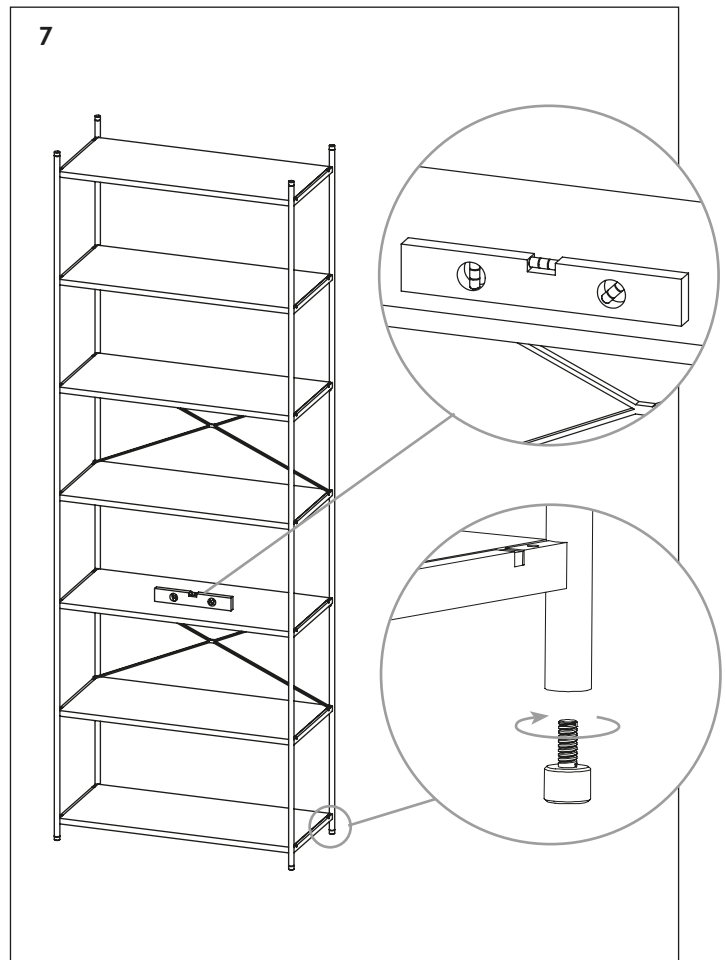
1. Two people are needed. One to hold the ladders - one to collect.
2. Attach first shelf at bottom of the two ladders.



3. Then move upwards and attach the next shelf. Stop after attaching three shelves.
4. Attach the cross just above the second shelf and screw all four screws lightly. Do not tighten the screws yet.

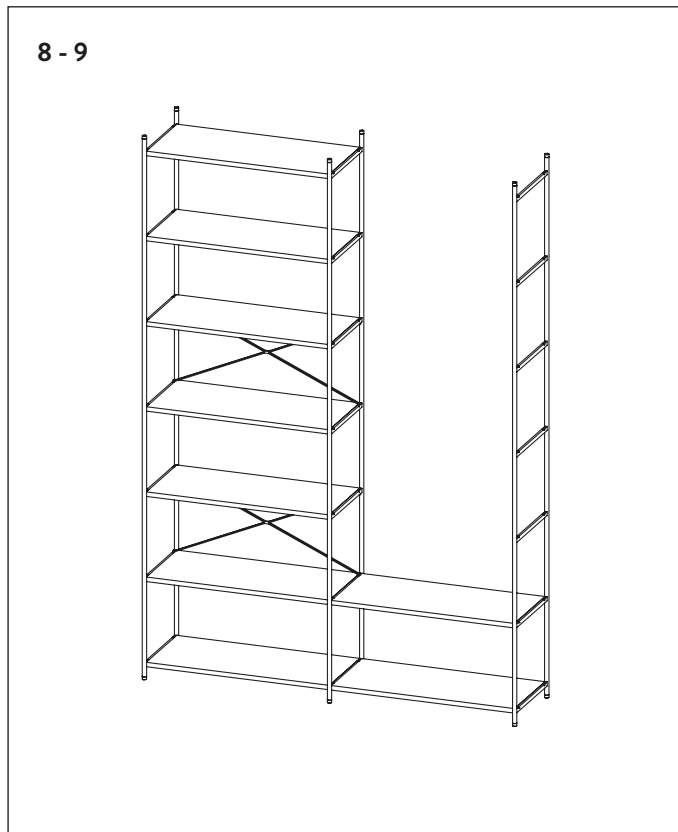


5. Add the next two shelves and then attach one more cross.
6. Hereafter add the two last shelves.

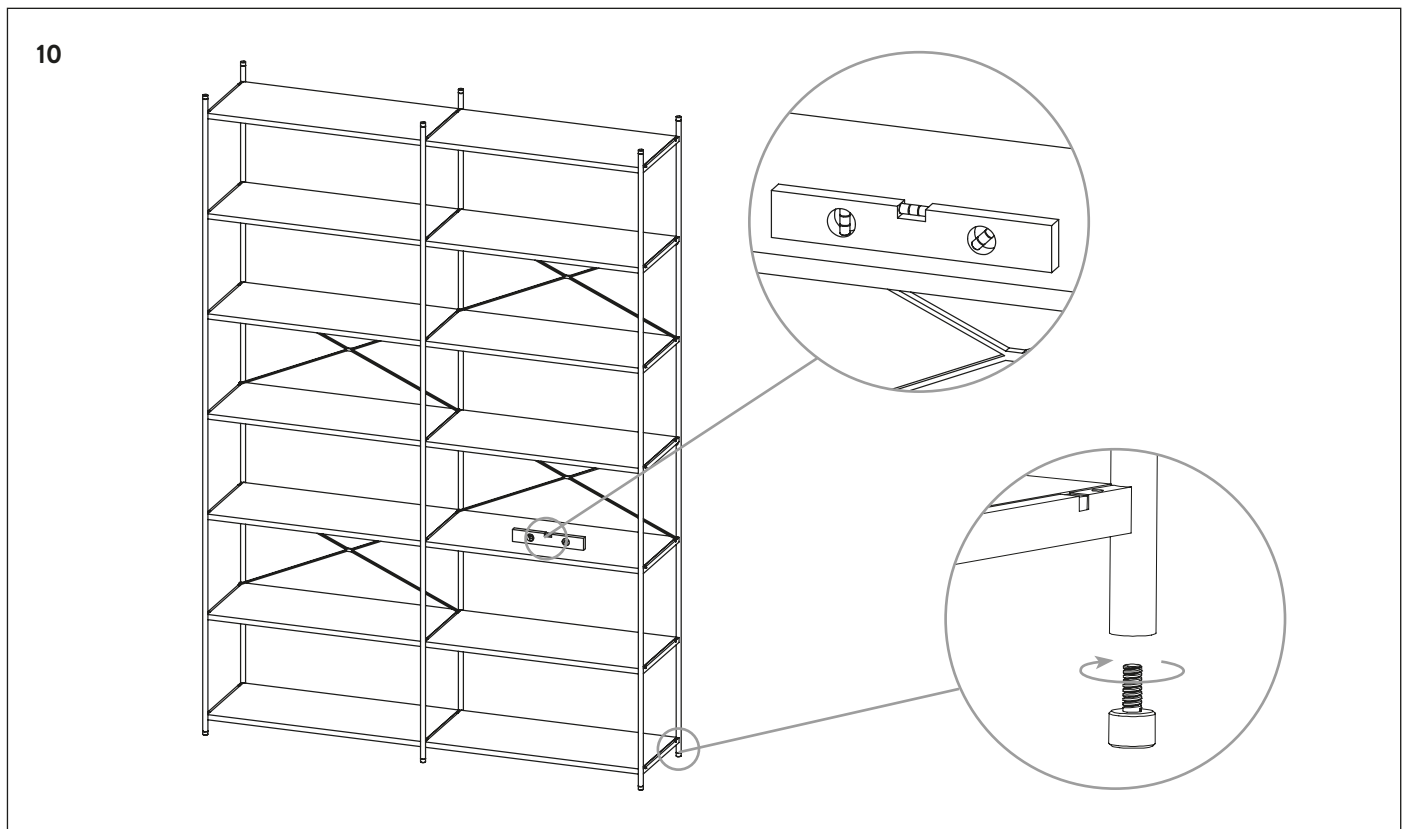


7. Use a spirit level and align the four adjustment feet. Then tighten the eight screws for the crosses.

If you want to extend your shelving system, see steps 8 - 10.



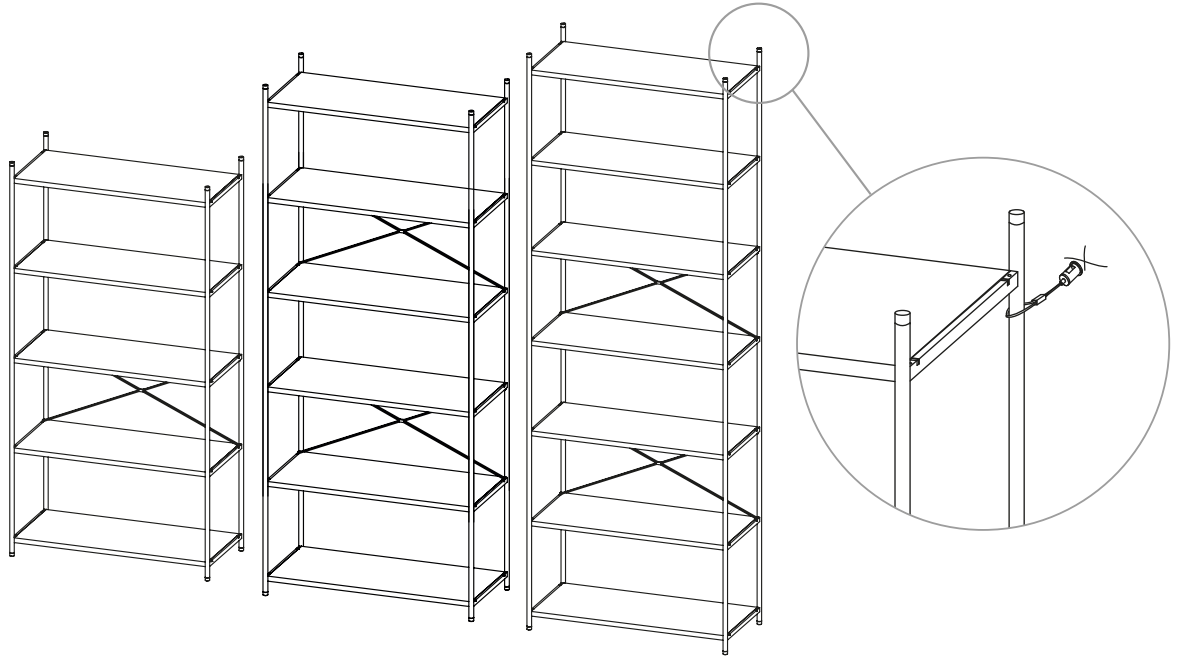
8. Continue to the next row and place the shelves from the bottom and up.
9. Attach the next cross above the third shelf and the fourth cross above the fifth shelf and screw all eight screws lightly. Do not tighten the screws yet.



10. Use a spirit level and align the four adjustment feet. Then tighten the eight screws for the crosses.

PUNCTUAL SHELVING SYSTEM

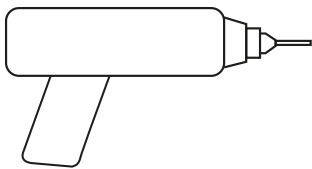
ASSEMBLY MANUAL - WALL ATTACHMENT



WARNING

Wall attachment must be used for all shelving systems higher than 3 shelves systems.
No climbing on the shelves is allowed.

Needed for attachment



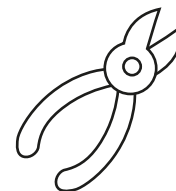
Power drill



Screw driver

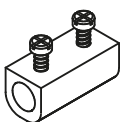


Pencil

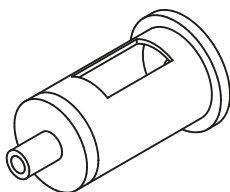


Wire cutter

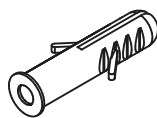
Content of the box



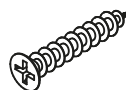
Muff x 1



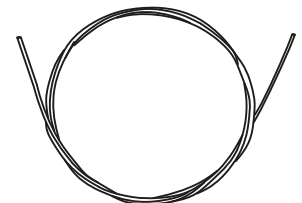
Wall mount x 1



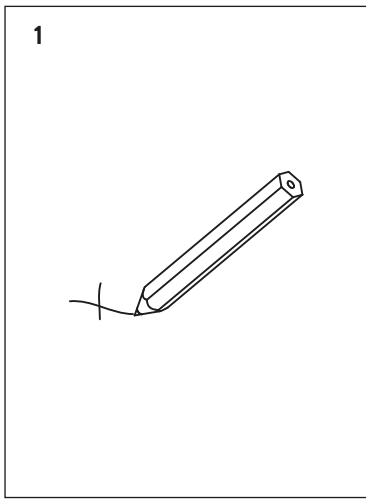
Rawl-plug x 1



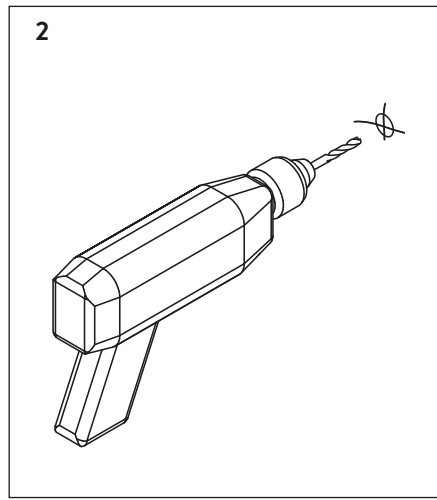
Screw x 1



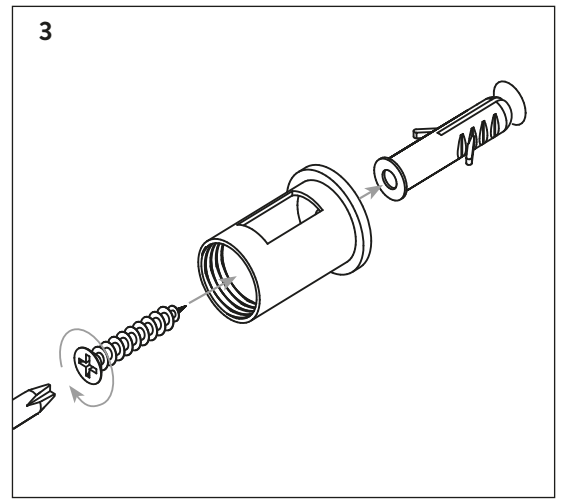
Wire x 1



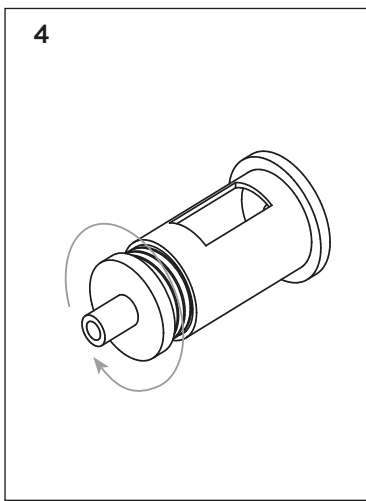
1. Mark a cross on the wall as illustrated on page 21.



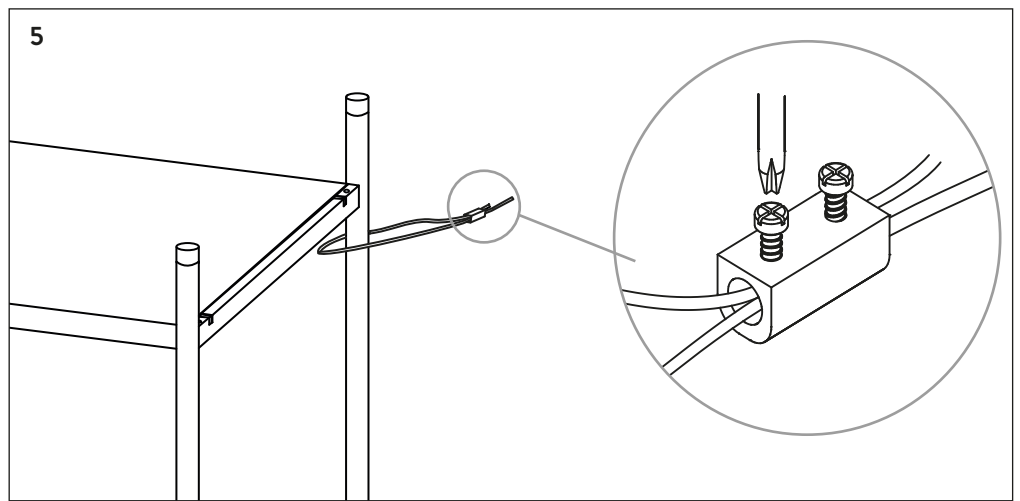
2. Drill a hole on the cross.



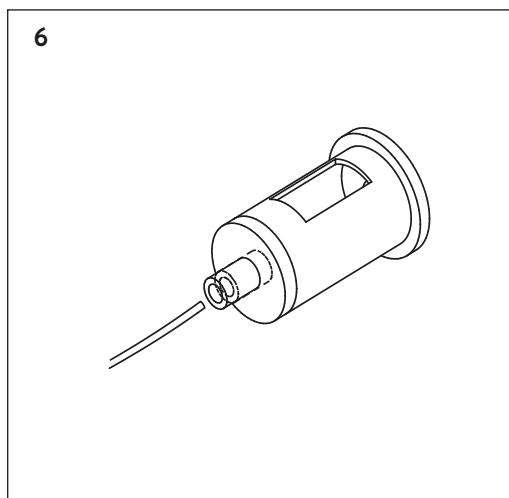
3. Remove the front cap of wall mount and insert the rawl plug and screw in the wall mount.



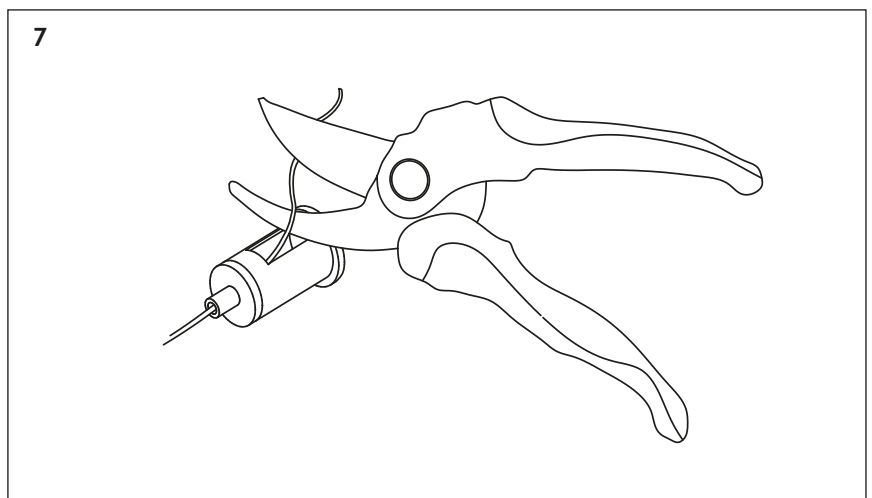
4. Attach the cap of the wall mount.



5. Put the wire around the ladder and fasten the wire in the muff and tighten the screws.



6. Insert the long end of the wire into the wall mount.



7. Tighten the wire and cut off the excess part. If you by incident tighten the wire too much press the release button to adjust the wire.

FERMLIVING.COM

