

PWM LED Dimming Driver User's Manual



(Please read through this manual carefully before use)

1、 Brief Introduction

As LED and fluorescent lights are becoming more and more popular in the same project, but the dimming principles of LED and traditional fluorescent lights are different, so we developed a new 0/1-10V dimming controller which has solved the compatible problem of fluorescent dimming controller and LED illumination; with our driver, the controller can dim both fluorescent and LED lamps at the same time.

2、 Specifications

Model	PWM LED Dimming Driver
Input Voltage	DC12V-DC24V
Max Current	10A/CH x1CH
Input Signal	0/1-10V or PUSH DIM
Output Signal	Constant Voltage PWM
Max Output Power	120W(12V) /240W(24V)
Product Dimension	L176×W46×H30(mm)
Package Dimension	L179×W49×H33(mm)
Weight	125g

3、 Basic Features

1. Working voltage from DC12V-DC24V.
2. 1 output channel, Max output 10A.
3. PUSH DIM input voltage AC/DC12V-230V.
4. 0/1-10V to PWM dimming signal conversion, linear or log.
5. Support linear dimming or logarithmic dimming.
6. Short circuit protection; over current protection.
7. Compatible with many brand dimming systems.
8. Multi units can be worked together or use our power repeaters to control more lamps.
9. Power loss memory function.



PWM LED Dimming Driver

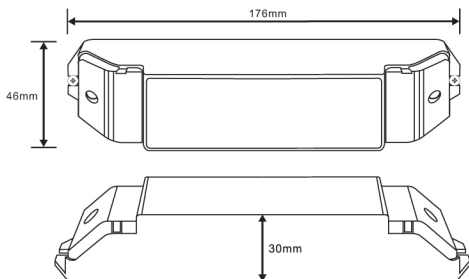
4. Safety warnings

Please don't install this controller in lightning, intense magnetic and high-voltage fields.

1. To reduce the risk of component damage and fire caused by short circuit, make sure correct connection.
2. Always be sure to mount this unit in an area that will allow proper ventilation to ensure a fitting temperature.
3. Check if the voltage and power adapter suit the controller.
(please select DC12-24V power supply with constant voltage)
4. Don't connect cables with power on; make sure a correct connection and no short circuit checked with instrument before power on.
5. Please don't open controller cover and operate if problems occur.

The manual is only suitable for this model; any update is subject to change without prior notice.

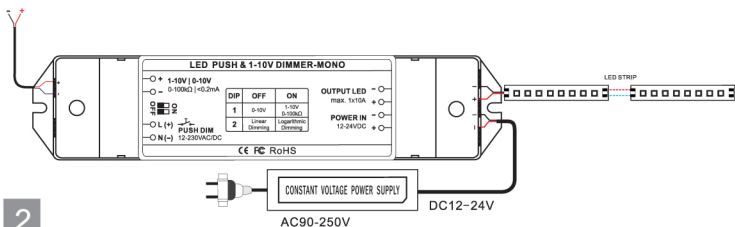
5. Dimensions



6. Conjunction Diagram

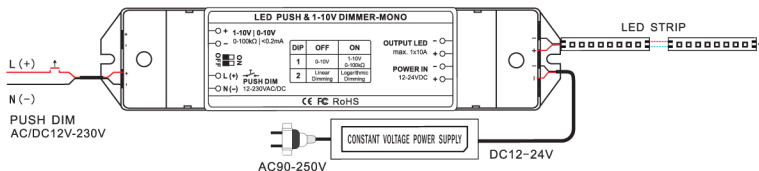
1.0/1-10V input connection:

0/1-10V INPUT





2. Push dim input connection

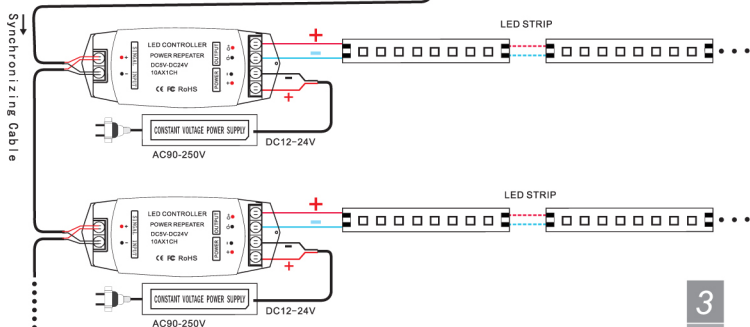
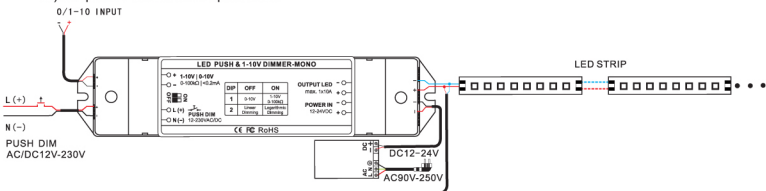


PUSH DIM Description:

- 1) Short press PUSH DIM button (less than 0.5S), to control the light ON/OFF.
- 2) Long press PUSH DIM button (more than 0.5S), adjust the light brightness; After each adjustment, the changing goes opposite.
- 3) When the light is OFF, long press PUSH DIM button, the light turn ON and dim.
- 4) When long press PUSH DIM to adjust the brightness, dimming range is 1%-100%, short press it to turn OFF the light.
- 5) Power down memory function available, when power unlimitedly.

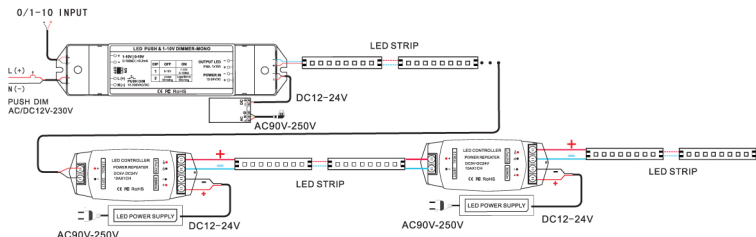
It can connect to our power amplifier to extend power unlimitedly.

a) Amplifier connect in parallel:



PWM LED Dimming Driver

b) Amplifier connect in series:



7. After-Sales

From the day you purchase our products within 3 years, if being used properly in accordance with the instruction, and quality problems occur, we provide free repair or replacement services except the following cases:

1. Any defects caused by wrong operations.
2. Any damages caused by inappropriate power supply or abnormal voltage.
3. Any damages caused by unauthorized removal, maintenance, modifying circuit, incorrect connections and replacing chips.
4. Any damages due to transportation, breaking, flooded water after the purchase.
5. Any damages caused by earthquake, fire, flood, lightning strike etc force majeure of natural disasters.
6. Any damages caused by negligence, inappropriate storing at high temperature and humidity environment or near harmful chemicals.
7. Product has been updated.

8. Kindly Reminder

Power source must be DC constant voltage type of power supply. Due to the efficient output in some power supplies are only 80% of total, so please select at least 20% higher output power supply than the consumption of LED lights.