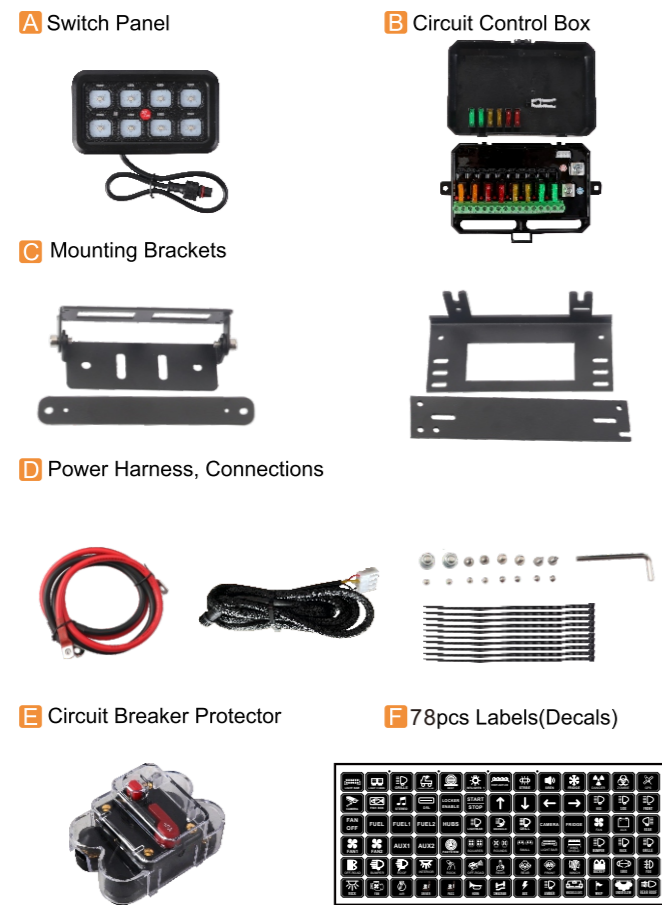


8 GANG SWITCH PANEL SYSTEM WITH RGB BACKLIGHT



WHAT'S INCLUDED



PRODUCT FEATURES

- Control 8 auxiliary LED lights or electrical devices
- Colorful LED background lighting
- Lighting modes control, Press and hold for 3 seconds, the background light automatically switches colors.
- Automatic + Manual Backlight brightness adjustment
- ON/OFF switch or momentary press operation
- 78 Labels / stickers / decals design + DIY
- DC 12V~24V
- 600W~ 1200W
- 60A resettable circuit breaker

SWITCH PANEL INDICATION



BACKLIT BRIGHTNESS DIMMABLE

The backlit brightness of the switch panel is automatically dimmable according to the brightness variation of the surroundings/ environment.



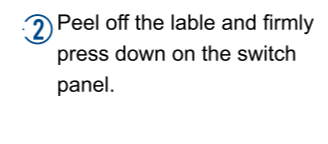
In the tunnel or other dark places, the switch panel will be dim, reduce the impact on the driver's vision



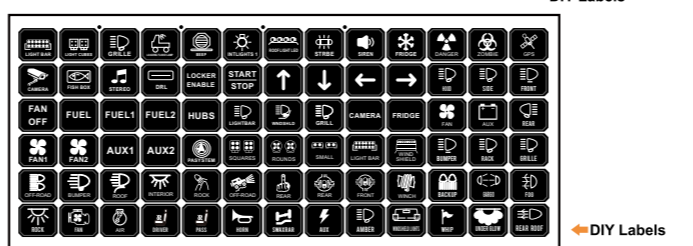
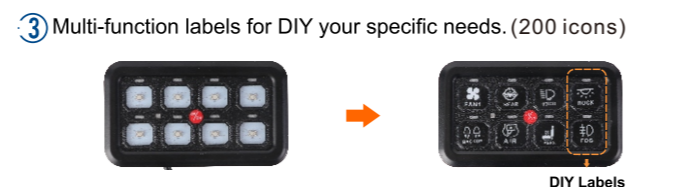
On the road or other bright places, the switch panel will be brighter, make you control it more easier

80PCS REUSABLE SWITCH LABELS

1 Thoroughly clean the switch panel.



2 Peel off the lable and firmly press down on the switch panel.



LIGHTING MODE SETTING

Turn off the background light



Pressing the OFF/ON key will turn OFF both load switches at the same time and retain the last memory function



After turning OFF/ON all load switches on the panel, press the OFF button to turn OFF the background light

CONTROL PANEL WORKING MODE

LIGHTING MODE SETTING

3 lighting modes for you to choose and different colors represent different working modes:

Red: Toggle

Blue: Momentary

Green: Pulsed

★Blue: Momentary, Press & hold to turn on the light and release to turn off the lights.



OFF/ON Press 2 times in a row to enter the setting mode (the indicator light will flash 26 times in a row) to switch functions on the key

LIGHTING MODE SETTING

The red indicator light is on when the switch panel is on. When you select the mode, the indicator will show the color of the corresponding function.



CONTROL BOX INSTALLATION

MOUNTING THE CONTROL BOX

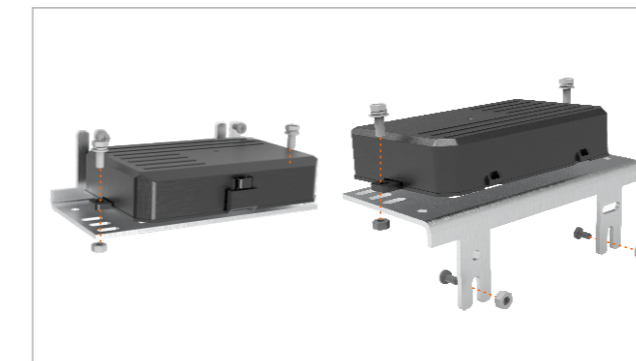
TWO different installation methods are available:
 • Fix mount bracket
 • Flush mount

The ideal mounting of the control box should allow for an unobstructed path for the power wires, accessory wires and the control harnesses included.

If you decide to drill, please check the clearance behind the drilling location. Make sure you are not going to drill through and damage any wiring harness and components of the vehicle.

OPTION 1 : Fix Mount

Using the mounting bracket as a guide, find a good and desired location to mount the control box.



OPTION 2 : Flush Mount

Using the control box as a guide, find a good and desired location to mount.

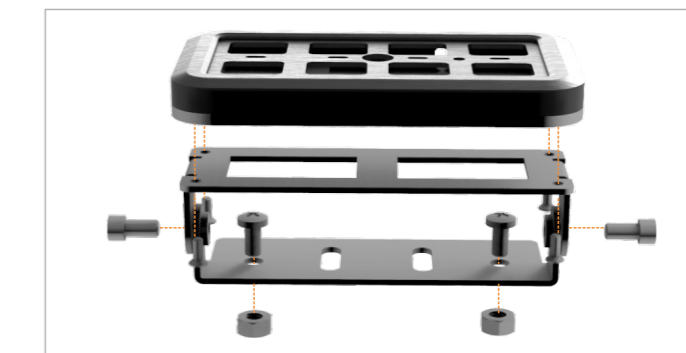


SWITCH PANEL INSTALLATION

SWITCH PANEL MOUNTING

- TWO different installation methods are available mounting bracket angle is adjustable:
 • Angle adjustable mount bracket
 • Slim line flush mount bracket
- Attach the switch panel to the mount bracket you need, then use the supplied screw accessories to fix the bracket.
- The ideal thickness of the mounting surface should be between 1/8" to 1/4".
- Check to make sure the control wire and extension plug&play wire is long enough to mount the desired location.
- Check the clearance behind the drilling location. Make sure you are not going to drill through and damaged any wires and components of the vehicle.
- Once you decide where to mount, use the bracket to mark the drill location.
- After the installation of the panel, proceed to the wiring installation.

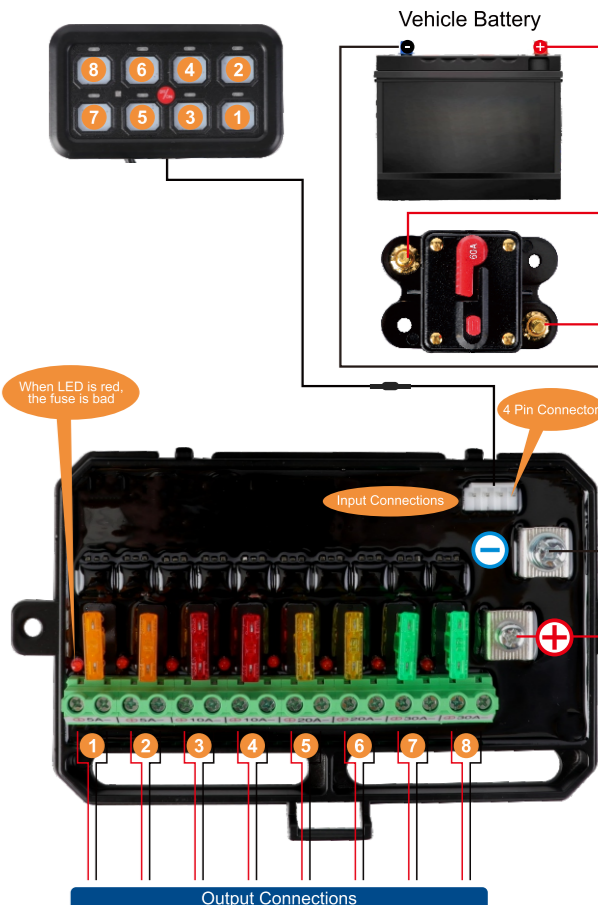
OPTION 1 : Angle Adjustable Mount



OPTION 2 : Flush Mount



SWITCH ASSEMBLY WIRING DIAGRAM



Connect to 8 auxiliary LED lights or electrical devices

Total power will go to 600w at 12V, 1200W at 24V and the maximum current is 60A.
 The maximum output current of ground 7 & 8 is 30A, the maximum output current of ground 1-6 is 20A.
 The recommended connection method is to decrease the current gradually from ground 1 to 8 ground.
 Make sure all the lamps are connected before connecting the power cable.

Circuit 1	Circuit 2	Circuit 3	Circuit 4
5A	5A	10A	10A
Circuit 5	Circuit 6	Circuit 7	Circuit 8
20A	20A	30A	30A